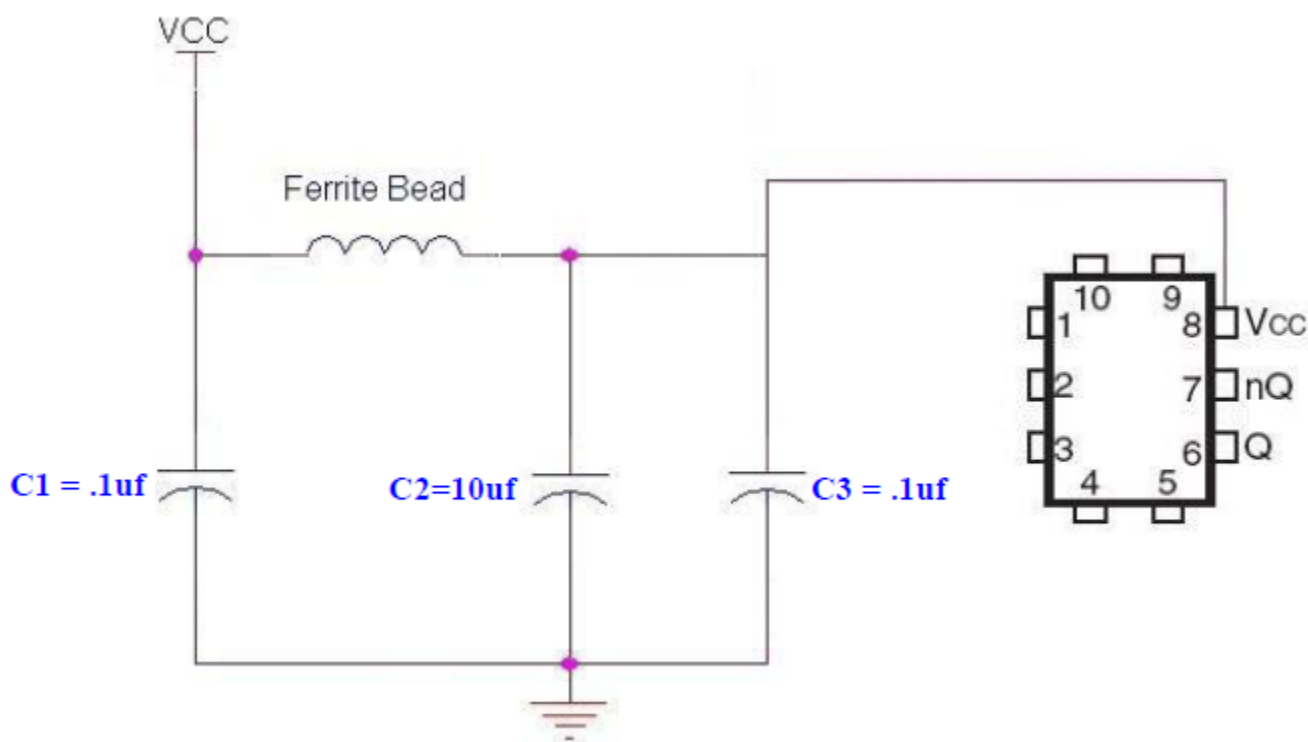


Introduction

This application note describes the recommended filtering technique for oscillators in surface mounted device (SMD) packages from IDT. This includes both ceramic and plastic packages which have one power pin that supplies the analog, core and output stages of the device. Since separate filtering can not be added to each stage, careful consideration must be taken to filter noise from entering into the device.

Figure 1. Simplified Circuit



Procedure

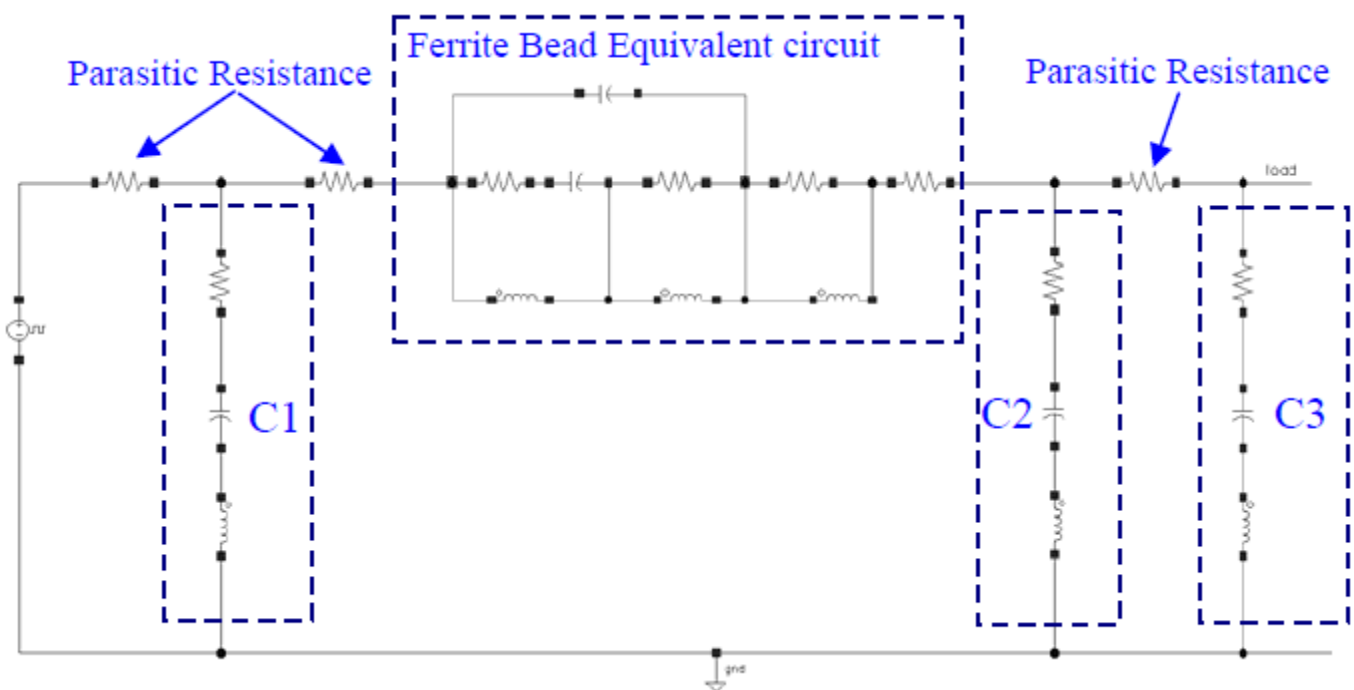
The filter configuration in [Figure 1](#) is commonly used for SMD oscillator devices. It consists of a ferrite bead and 3 capacitors. The combination of the capacitors, parasitic resistance from the printed circuit board, and the resistive component of the ferrite bead will behave as a low pass filter and help suppress high frequency noise. The selection criteria for the capacitor values (C1, C2 and C3) was based on performance, values readily available and cost. Other values can be used to improve the rejection level of the low pass filter with an increase in cost and supplier lead times.

The filter was simulated with three different Murata ferrite beads. Refer to [Table 1](#). The primary difference between them is the impedance at 100MHz, rated current and DC resistance. The conditions for the simulation were taken using nominal voltage and temperature on Cadence Spectre.

Table 1: Murata Ferrite Bead Datasheet Parameters

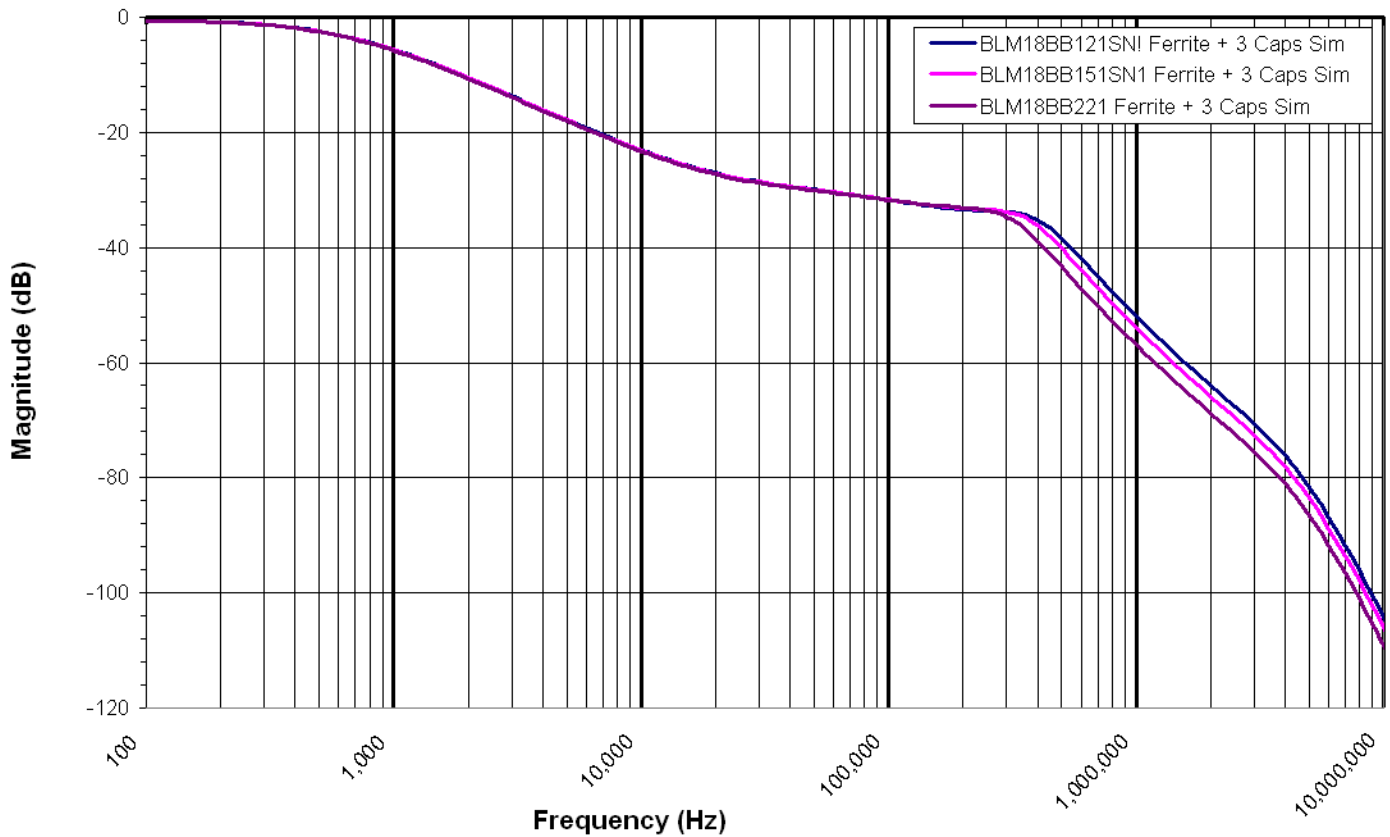
Part Number	Impedance (at 100MHz/20°C)	Rated Current	DC Resistance	Operating Temperature Range
BLM18BB121SN1	120Ω ±25%	500mA	0.30Ω max	-55 to +125°C
BLM18BB151SN1	150Ω ±25%	450mA	0.37Ω max	-55 to +125°C
BLM18BB221SN1	220Ω ±25%	450mA	0.45Ω max	-55 to +125°C

In order to properly simulate a low pass filter, a small signal equivalent circuit must be generated. Refer to [Figure 2](#). In addition, the parasitic resistance from the filter printed circuit board traces must be calculated and simulated. This has a first order effect on the attenuation of the filter.

Figure 2. Simulation Circuit – Small Signal Equivalent Circuit

Results

[Figure 3](#) shows the simulation results for the three ferrite beads. They track to approximately 300kHz, after that, the BLM18BB221 has better filtering performance than the other two. This is due to the higher impedance.

Figure 3. Loop Filter Simulation Results

Conclusion

A good number of switch-mode power supplies have transient frequencies ranging between 100kHz and 600kHz. Note that at 100kHz, the filter has approximately 30dB of attenuation. Though the simulations are using ideal conditions, [Figure 3](#) shows the general trend of the filter. The filter recommendations are a general guideline to be used for reducing external noise from coupling into the device. The filter performance is designed for a broadband of power supply noise. If the frequency noise component is known and is out of the filter range, it is recommended that additional filtering be added and the component values adjusted. In order to achieve the best possible filtering, the placement of the components should be on the same layer as the device and be as close to the power pin as possible. If considering using a ferrite bead or inductors other than what is recommended, take special precaution. The combination of a capacitor, inductor and random noise can cause unwanted oscillations. In addition to localized filtering, bulk capacitance should be added in the general area of the device.



Corporate Headquarters
6024 Silver Creek Valley Road
San Jose, CA 95138 USA

Sales
1-800-345-7015 or 408-284-8200
Fax: 408-284-2775
www.IDT.com

Tech Support
email: clocks@idt.com

DISCLAIMER Integrated Device Technology, Inc. (IDT) and its subsidiaries reserve the right to modify the products and/or specifications described herein at any time and at IDT's sole discretion. All information in this document, including descriptions of product features and performance, is subject to change without notice. Performance specifications and the operating parameters of the described products are determined in the independent state and are not guaranteed to perform the same way when installed in customer products. The information contained herein is provided without representation or warranty of any kind, whether express or implied, including, but not limited to, the suitability of IDT's products for any particular purpose, an implied warranty of merchantability, or non-infringement of the intellectual property rights of others. This document is presented only as a guide and does not convey any license under intellectual property rights of IDT or any third parties.

IDT's products are not intended for use in applications involving extreme environmental conditions or in life support systems or similar devices where the failure or malfunction of an IDT product can be reasonably expected to significantly affect the health or safety of users. Anyone using an IDT product in such a manner does so at their own risk, absent an express, written agreement by IDT.

Integrated Device Technology, IDT and the IDT logo are registered trademarks of IDT. Product specification subject to change without notice. Other trademarks and service marks used herein, including protected names, logos and designs, are the property of IDT or their respective third party owners.

Copyright ©2014 Integrated Device Technology, Inc.. All rights reserved.