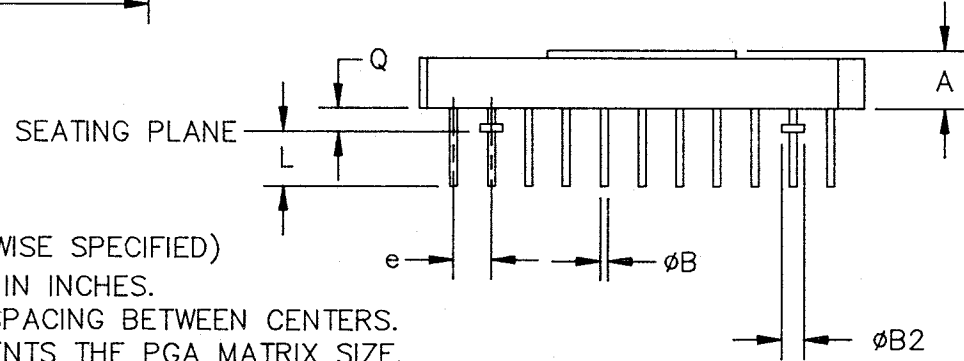
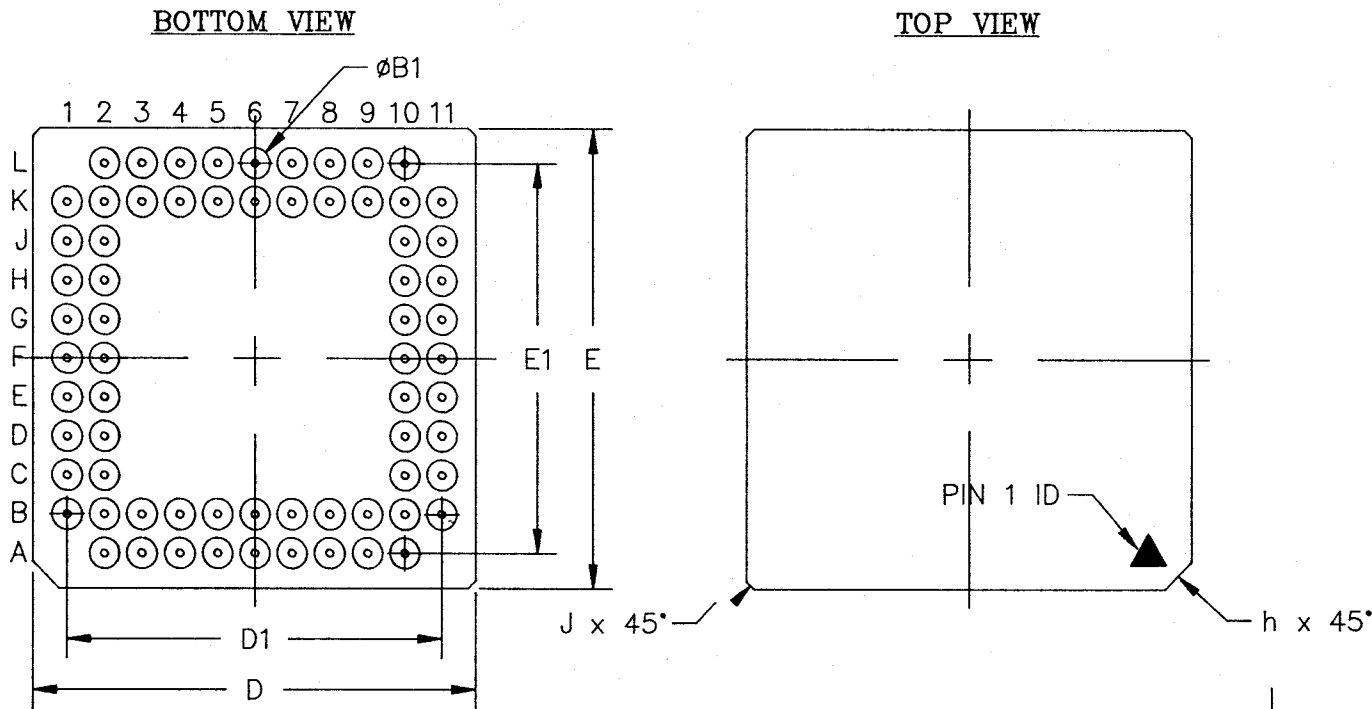
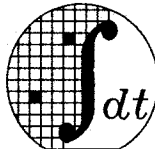


DCN	REV	DESCRIPTION	DATE	APPROVAL
17104	01	UPDATED TO STANDARDIZE DRAWING	12/21/89	S Thomas



- NOTES: (UNLESS OTHERWISE SPECIFIED)
1. ALL DIMENSIONS ARE IN INCHES.
  2. BSC - BASIC LEAD SPACING BETWEEN CENTERS.
  3. SYMBOL "M" REPRESENTS THE PGA MATRIX SIZE.
  4. SYMBOL "N" REPRESENTS THE NUMBER OF PINS.
  5. CHAMFERED CORNERS ARE IDT'S OPTION.

			MIL-M-38510		CONFIGURATION	EXCEPTIONS		
<b>SYMBOL</b>	<b>MIN</b>	<b>MAX</b>			LARGE OUTLINE P-AC	NONE		
A	.070	.145	JEDEC		MO-067-AC	NONE		
phi B	.016	.020	TOLERANCES UNLESS OTHERWISE SPECIFIED FRAC DEC ANGLES ± - ± - ± -					
phi B1		.080						
phi B2	.040	.060	APPROVALS	DATE	 <b>Integrated Device Technology, Inc.</b> 3236 Scott Blvd., Santa Clara, CA 95051 (408) 727-6116 FAX: (408) 727-2328			
D/E	1.140	1.180						
D1/E1	1.000 BSC		DRAWN	12/89	<b>68 PIN PGA MKT DWG (CAVITY UP)</b>			
e	.100 BSC		CHECKED	12/89				
h	.070 REF							
J	.020 REF							
L	.120	.140						
M	11				SCALE	SIZE	DRAWING NO.	REV
N	68				N/A	A	PSC-2075	01
Q	.040	.060			DO NOT SCALE DRAWING			SHEET 2 OF 2