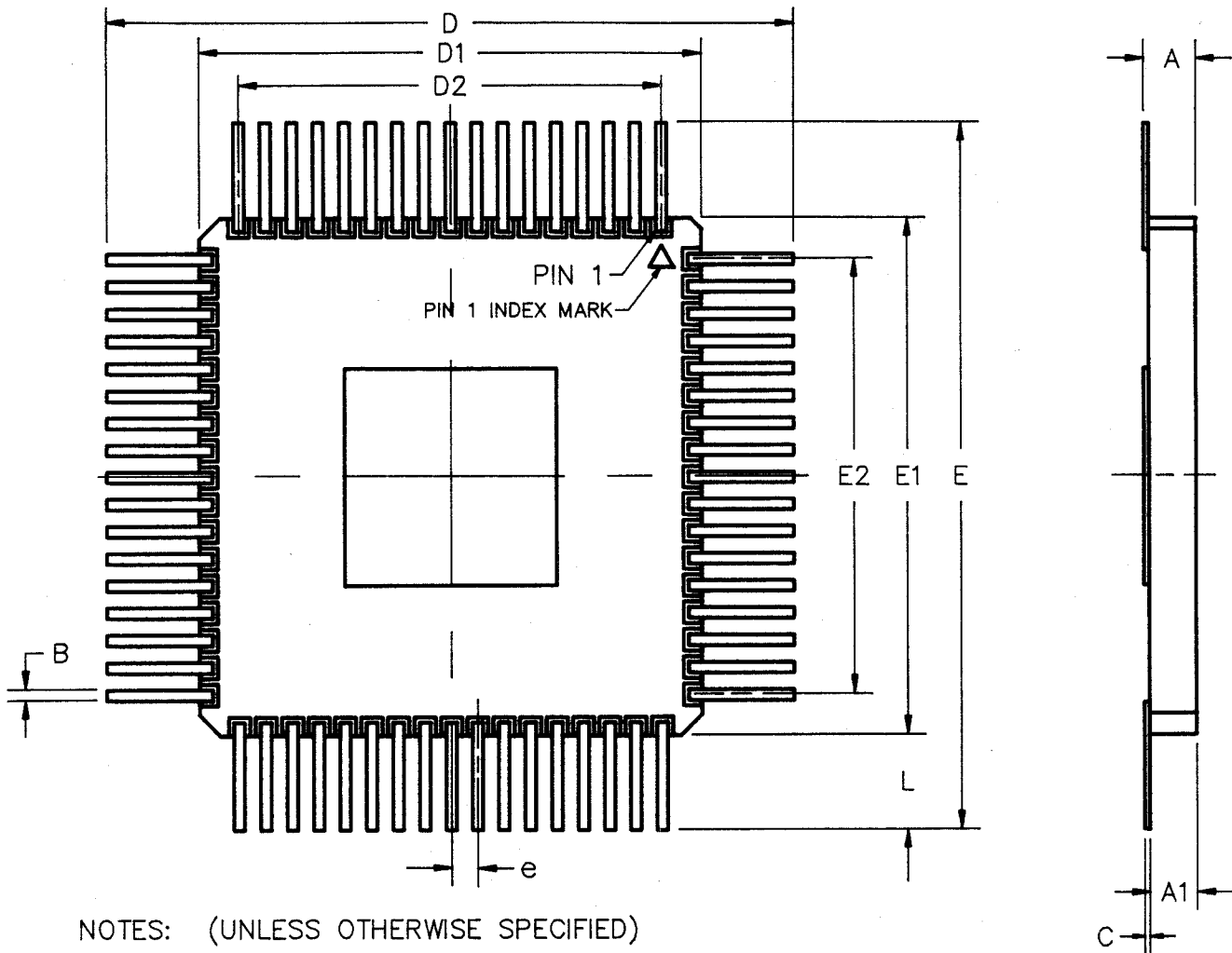


DCN	REV	DESCRIPTION	DATE	APPROVALS
22519	00	ORIGINAL ISSUE	5/15/92	<i>J. Guilford</i>



NOTES: (UNLESS OTHERWISE SPECIFIED)

1. ALL DIMENSIONS ARE IN INCHES.
2. BSC - BASIC LEAD SPACING BETWEEN CENTERS.
3. SYMBOL "N" REPRESENTS NUMBER OF LEADS.

JEDEC	MO-081-AA
EXCEPTIONS	C = .008/.012
MIL-M-38510	NOT LISTED
EXCEPTIONS	

SYMBOL	MIN	MAX
A	.080	.120
A1	.070	.090
B	.014	.021
C	.005	.007
D/E	1.640	1.870
D1/E1	.926	.970
D2/E2	.800 BSC	
e	.050 BSC	
L	.350	.450
N	68	
ND	17	

TOLERANCES UNLESS OTHERWISE SPECIFIED
 FRAC DEC ANGLES
 ± - ± - ± -

APPROVALS	DATE
DRAWN <i>AA</i>	05/92
CHECKED <i>JG</i>	5/92



Integrated Device Technology, Inc.

3236 Scott Blvd., Santa Clara, CA 95051
 (408) 727-8116 FAX: (408) 727-2328

**68 THIN LEAD QUAD FLAT
 PACK MARKETING DRAWING**

SCALE	SIZE	DRAWING NO.	REV
N/A	A	PSC-2109	00

DO NOT SCALE DRAWING

SHEET 1 OF 1