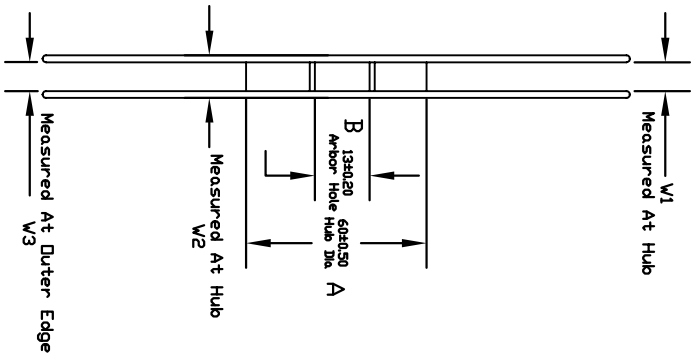
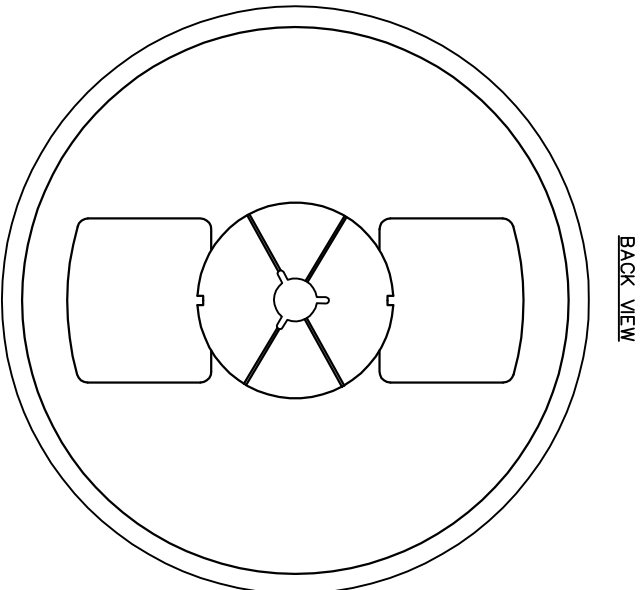


| T | W1 | W2 | W3 | COLOR |
|--------|--------------|----------|---------------------|-------|
| 3±0.50 | 8.4±1.5/-0.0 | 14.4 MAX | 7.9 MIN 10.9 MAX | WHITE |

FRONT VIEW



SIDE VIEW



BACK VIEW

- NOTES : (UNLESS OTHERWISE SPECIFIED)
1. MATERIAL : ANTISTATIC POLYSTYRENE
 2. ALL DIMENSIONS ARE IN mm.
 3. TAPE WIDTH : 8 MM

TOLERANCES UNLESS OTHERWISE SPECIFIED
 DECIMAL .25
 .X ± .25
 .XX ± .13
 .XXX ± .13
 ANGLE ±.5°

IDT
 6024 Silver Creek Valley Road,
 San Jose, CA 95138
 PHONE: (408) 284-8200
 FAX: (408) 284-3572

| | | | |
|----------------------|------|--|--------------|
| APPROVALS | DATE | TITLE: | SCALE |
| DRAWN | | 8 MM WIDTH PLASTIC REEL (7"/2" HUB) | N/A |
| STOCK NO. | | DRAWING NO. | SIZE |
| N/A | | MSC-5965-A | N/A |
| | | REV | REV |
| | | | 00 |
| DO NOT SCALE DRAWING | | | SHEET 1 OF 1 |

REVISION HISTORY

| REV | DESCRIPTION | EFFECTIVE DATE | AUTHOR |
|-----|-----------------|----------------|---------|
| 00 | INITIAL RELEASE | 03 FEB 2016 | KK Thee |
| | | | |
| | | | |
| | | | |
| | | | |
| | | | |
| | | | |
| | | | |
| | | | |
| | | | |
| | | | |
| | | | |
| | | | |
| | | | |
| | | | |
| | | | |
| | | | |
| | | | |
| | | | |
| | | | |
| | | | |
| | | | |
| | | | |
| | | | |
| | | | |
| | | | |
| | | | |
| | | | |
| | | | |
| | | | |
| | | | |
| | | | |

TOLERANCES UNLESS OTHERWISE SPECIFIED
 DECIMAL .25 ANGLE ±.5°
 .X ±.12
 .XX ±.13
 .XXX ±.18

IDT
 www.IDT.com

6024 Silver Creek Valley Road,
 San Jose, CA 95138
 PHONE: (408) 284-8200
 FAX: (408) 284-3572

| | | |
|-----------|------|-------|
| APPROVALS | DATE | SCALE |
| | | N/A |
| | | N/A |

DRAMA

TITLE:
 8 MM WIDTH PLASTIC REEL
 (7 1/2" HUB)

STOCK NO.
 N/A

DRAWING NO.
 MSC-5965-A

REV
 00

DO NOT SCALE DRAWING

HISTORY PAGE