

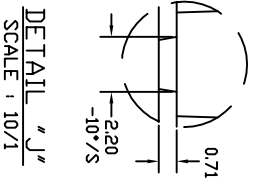
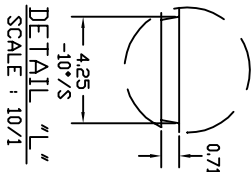
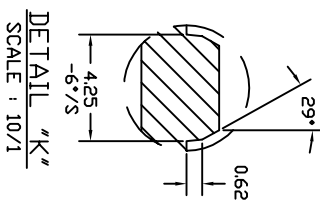
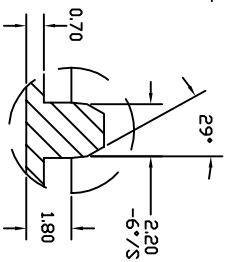
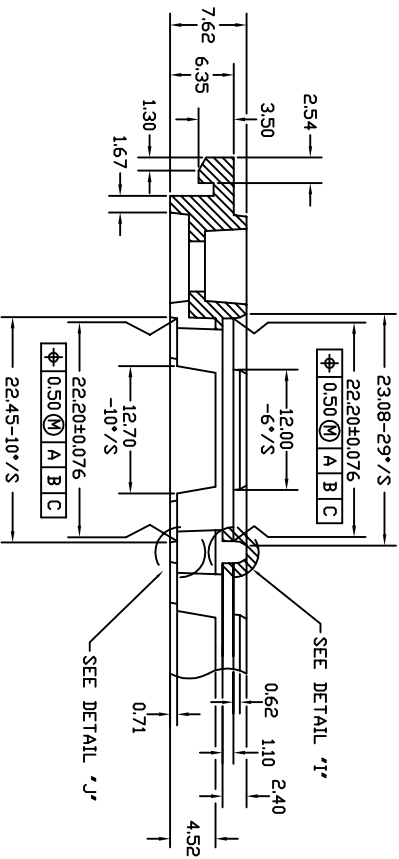
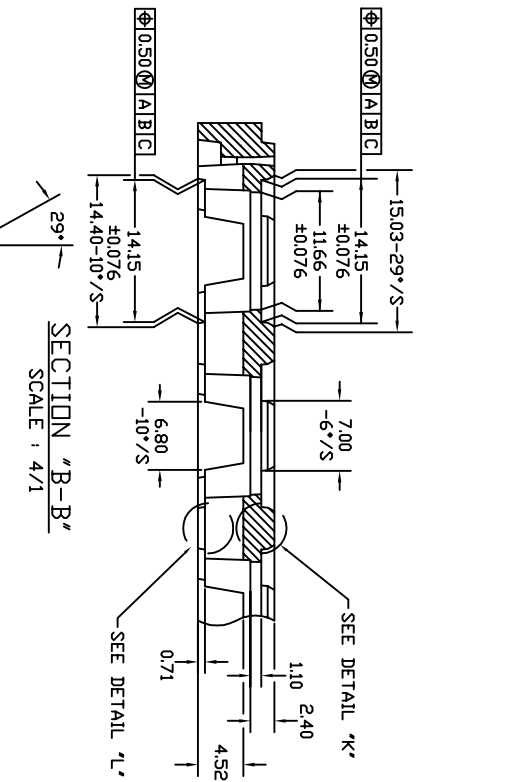
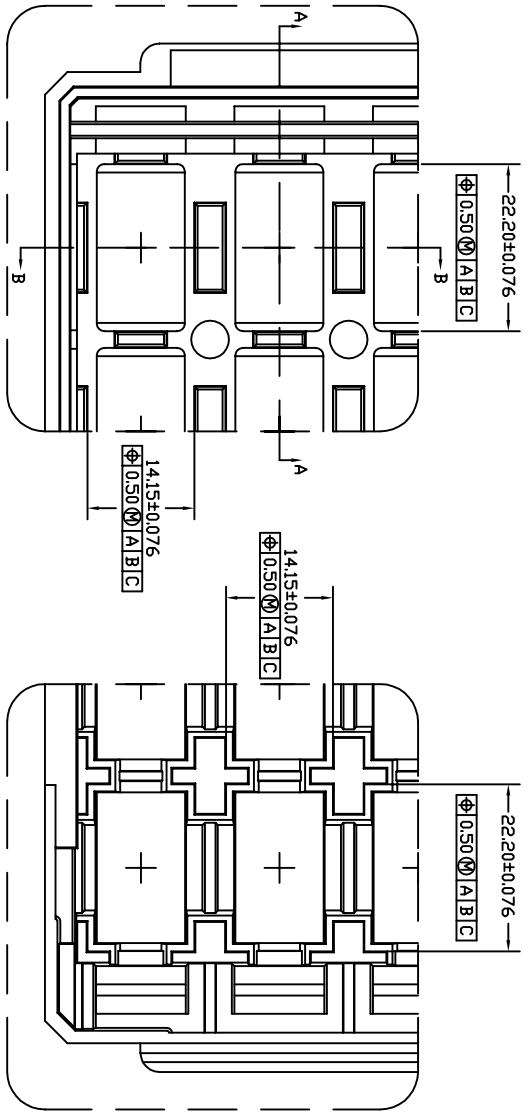
NOTES : (UNLESS OTHERWISE SPECIFIED)
1. NUMBER OF POCKET : 7 X 12 = 84 POCKETS

TOLERANCES UNLESS OTHERWISE SPECIFIED
DECIMAL :
.X ±.25
.XX ±.13
.XXX ±.13
ANGLE : ±5°
ANGULAR : ±



6024 Silver Creek Valley Road,
San Jose, CA 95138
PHONE: (408) 284-8200
FAX: (408) 284-3572

TITLE:		BG/BGG119 SHIPPING TRAY		SCALE	N/A
STOCK NO.	N/A	DRAWING NO.	MSC-1462-A	REV	00
DO NOT SCALE DRAWING		SHEET 1 OF 2			



TOLERANCES UNLESS OTHERWISE SPECIFIED
DECIMAL :
.X ±.25
.XX ±.13
.XXX ±.13
ANGLE : 35°
ANGULAR : ±



6024 Silver Creek Valley Road,
San Jose, CA 95138
PHONE: (408) 284-8200
FAX: (408) 284-3572

TITLE:

BG/BGG119 SHIPPING TRAY

SCALE
N/A

SIZE
N/A

STOCK NO.

N/A

DRAWING NO.

MSC-1462-A

REV

00

DO NOT SCALE DRAWING

SHEET 2 OF 2