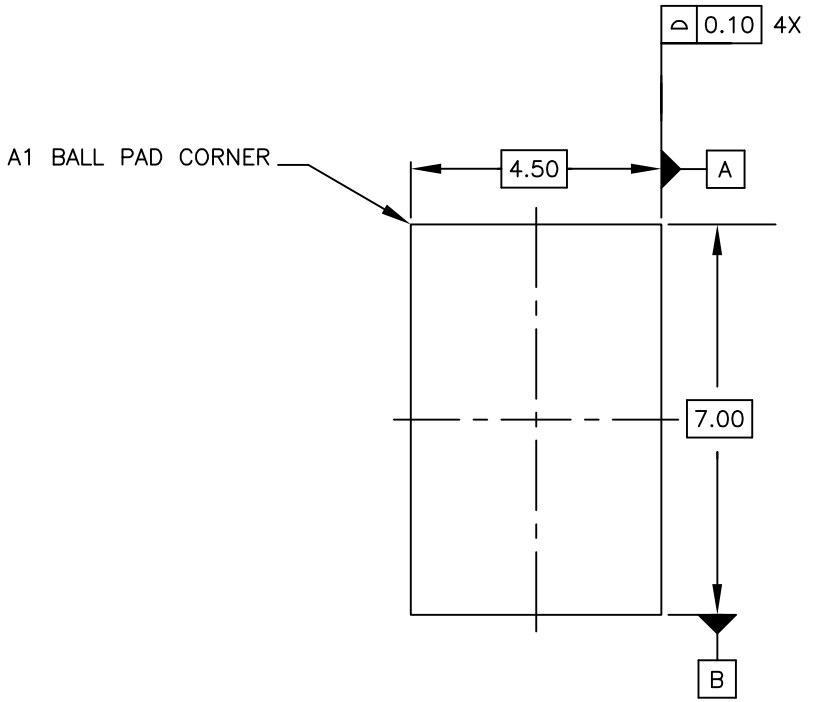
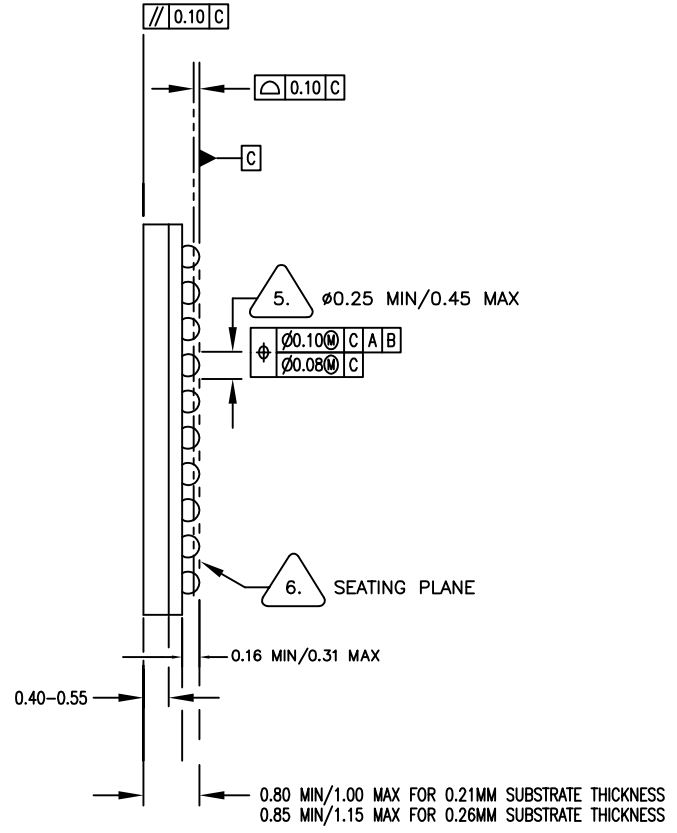



REVISIONS				
DCN	REV	DESCRIPTION	DATE	APPROVED
	06	MODIFIED PKG HEIGHT	02/16/06	PKP
	07	ADD PKG HEIGHT FOR 0.26MM SUBSTRATE THICKNESS	05/02/11	CK



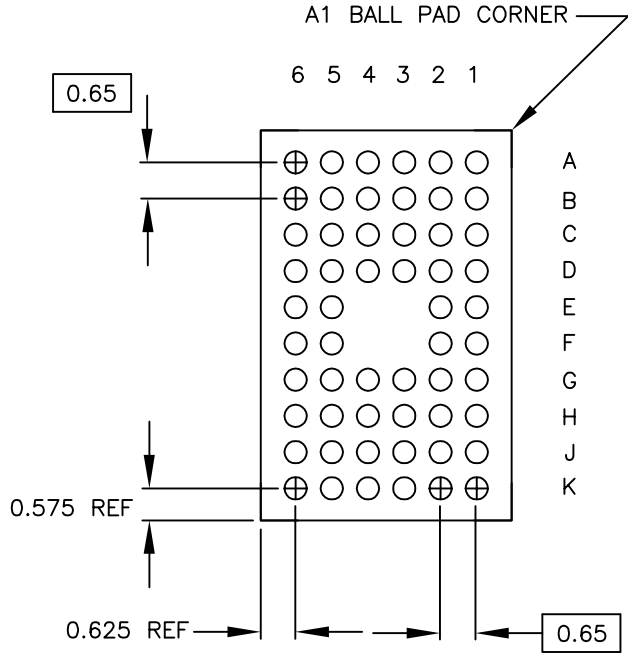
TOP VIEW



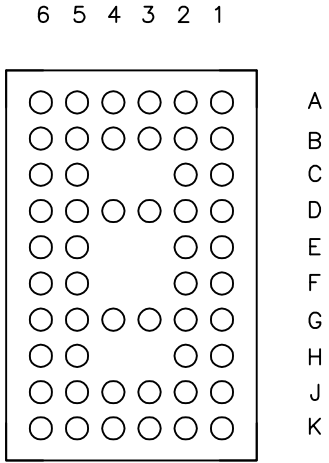
SIDE VIEW

TOLERANCES UNLESS SPECIFIED		 2975 Stender Way Santa Clara, CA 95054 PHONE: (408) 727-6116 FAX: (408) 492-8674 www.IDT.com	
DECIMAL	ANGULAR		
X± .1	±1°		
XX± .05			
XXX± .030			
APPROVALS	DATE	TITLE BV/BVG PACKAGE OUTLINE 4.5 X 7.0 mm BODY 0.65 mm PITCH CVBGA	
DRAWN <i>PSC/P</i>	6/18/01		
CHECKED			
	SIZE	DRAWING No.	REV
	C	PSC-4105	07
DO NOT SCALE DRAWING			SHEET 1 OF 3

REVISIONS				
DCN	REV	DESCRIPTION	DATE	APPROVED
	06	MODIFIED PKG HEIGHT	02/16/06	PKP
	07	ADD PKG HEIGHT FOR 0.26MM SUBSTRATE THICKNESS	05/02/11	CK




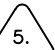
56 SOLDER BALLS




52 SOLDER BALLS

BOTTOM VIEW

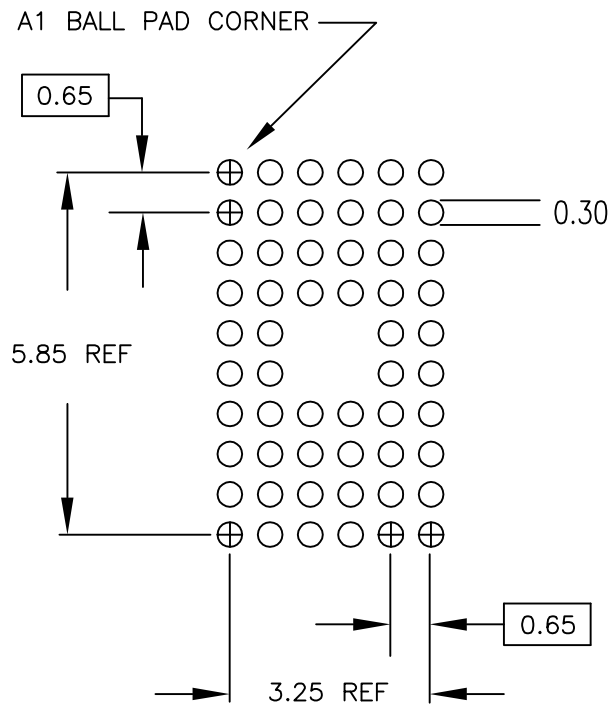
NOTES: UNLESS OTHERWISE SPECIFIED

- ALL DIMENSIONS AND TOLERANCES CONFORM TO ASME Y14.5M-1994.
- THE BASIC SOLDER BALL GRID PITCH IS 0.65mm.
- THE MAXIMUM SOLDER BALL MATRIX SIZE IS 6 X 10.
-  DIMENSION IS MEASURED AT THE MAXIMUM SOLDER BALL DIAMETER, PARALLEL TO PRIMARY DATUM C.
-  PRIMARY DATUM C AND SEATING PLANE ARE DEFINED BY THE SPHERICAL CROWNS OF THE SOLDER BALLS.
- BV USES STANDARD MATERIAL SET. AV USES "GREEN" MATERIAL SET.

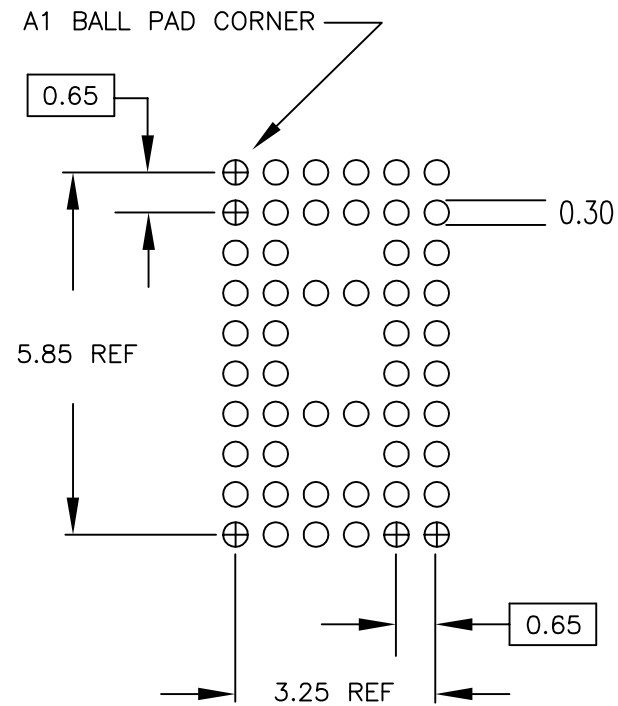
TOLERANCES UNLESS SPECIFIED			2975 Stender Way Santa Clara, CA 95054 PHONE: (408) 727-6116 FAX: (408) 492-8674	
DECIMAL	ANGULAR		www.IDT.com	
X± .1	±1°	APPROVALS	DATE	TITLE
XX± .05		PKP	6/18/01	BV/BVG PACKAGE OUTLINE
XXX± .030		CHECKED		4.5 X 7.0 mm BODY
				0.65 mm PITCH CVBGA
		SIZE	DRAWING No.	REV
		C	PSC-4105	07
DO NOT SCALE DRAWING				SHEET 2 OF 3

REVISIONS				
DCN	REV	DESCRIPTION	DATE	APPROVED
	06	MODIFIED PKG HEIGHT	02/16/06	PKP
	07	ADD PKG HEIGHT FOR 0.26MM SUBSTRATE THICKNESS	05/02/11	CK


LAND PATTERN DIMENSIONS



56 SOLDER BALLS



52 SOLDER BALLS

TOLERANCES UNLESS SPECIFIED		 2975 Stender Way Santa Clara, CA 95054 PHONE: (408) 727-6116 FAX: (408) 492-8674 www.IDT.com
DECIMAL	ANGULAR	
X± .1	±1°	
XX± .05		
XXX± .030		
APPROVALS	DATE	TITLE
DRAWN <i>PSC/P</i>	6/18/01	BV/BVG PACKAGE OUTLINE 4.5 X 7.0 mm BODY 0.65 mm PITCH CVBGA
CHECKED		
	SIZE	DRAWING No.
	C	PSC-4105
		REV
		07
DO NOT SCALE DRAWING		SHEET 3 OF 3