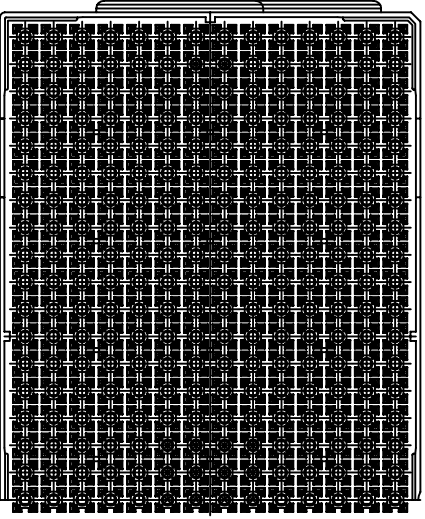


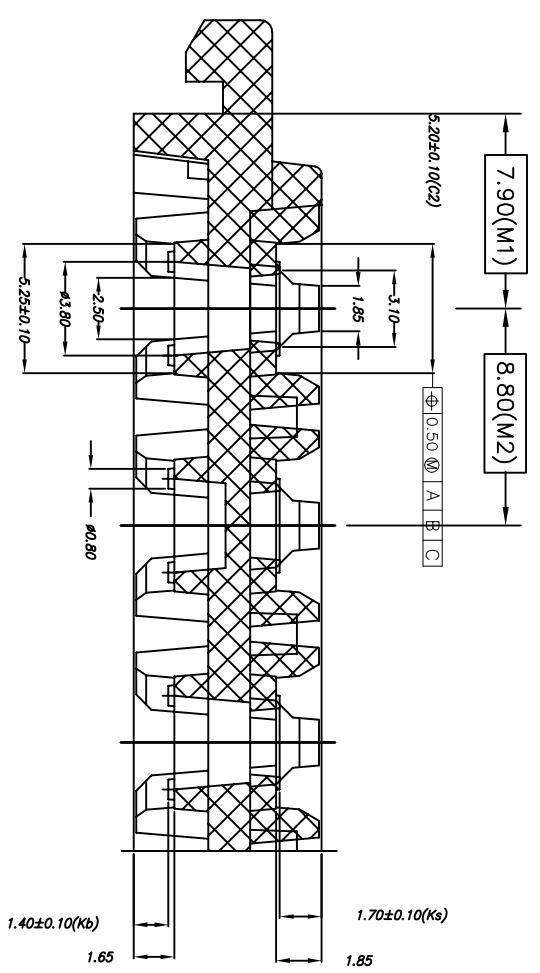
NOTES : (UNLESS OTHERWISE SPECIFIED)
 1. NUMBER OF POCKET : 14 X 35 = 490 POCKETS



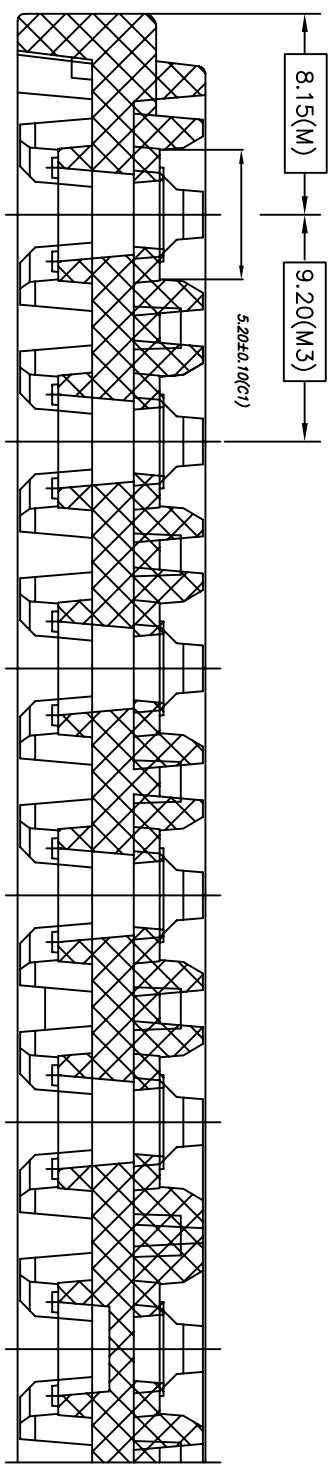
TOLERANCES UNLESS OTHERWISE SPECIFIED	
DECIMAL :	.X ± 0.25
.XX ±	0.13
.XXX ±	
ANGULAR :	± 0.5°

IDT
 www.IDT.com
 6024 Silver Creek Valley Road,
 San Jose, CA 95138
 PHONE: (408) 284-8200
 FAX: (408) 284-3572

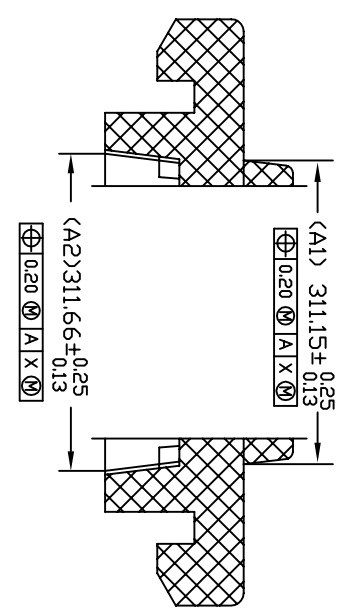
TITLE:	FNG 36, LEG 32, NRG 20/28/32, NDG 40/44, NIG 32, N06 40 & NIG 40 SHIPPING TRAY	SCALE	N/A
STOCK NO.	N/A	DRAWING NO.	MSC-7040-A
REV		REV	03
DO NOT SCALE DRAWING		SHEET	1 OF 2



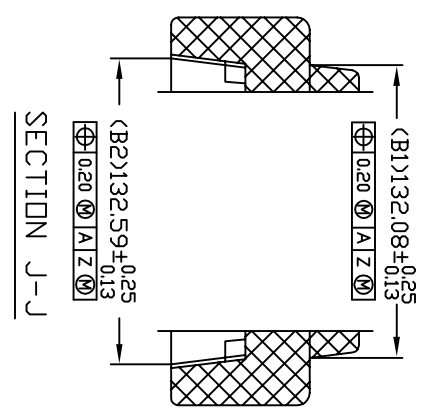
SECTION A-A



SECTION B-B



SECTION H-H



SECTION J-J

TOLERANCES UNLESS OTHERWISE SPECIFIED
 DECIMAL :
 .X ± 0.25
 .XX ± 0.13
 .XXX ±
 ANGLAR : ± 0.5°



6024 Silver Creek Valley Road
 San Jose, CA 95138
 PHONE: (408) 284-8200
 FAX: (408) 284-3572

WWW.IDT.COM

TITLE:	FNG 36, LEG 32, NRG 20/28/32, NDG 40/44, NIG 32, NCG 40 & NIG 40 SHIPPING TRAY	SCALE	N/A
STOCK NO.	N/A	SIZE	N/A
DRAWING NO.	MSC-7040-A	REV	03
DO NOT SCALE DRAWING	SHEET 2 OF 2		