

Introduction

The 8T49N1012 evaluation board user guide is intended to help the user power-up and quick-start the 8T49N1012 evaluation board. The scope of the user guide is limited to the physical connectivity of the board and does not address the programming section of it.

This guide will model two set-ups: Set-up 1 will use a clock generator as input and Set-up 2 will use a crystal as input source.

Set-up 1:

- CLK/nCLK will be used as input
- Q0/nQ0 will be used as output

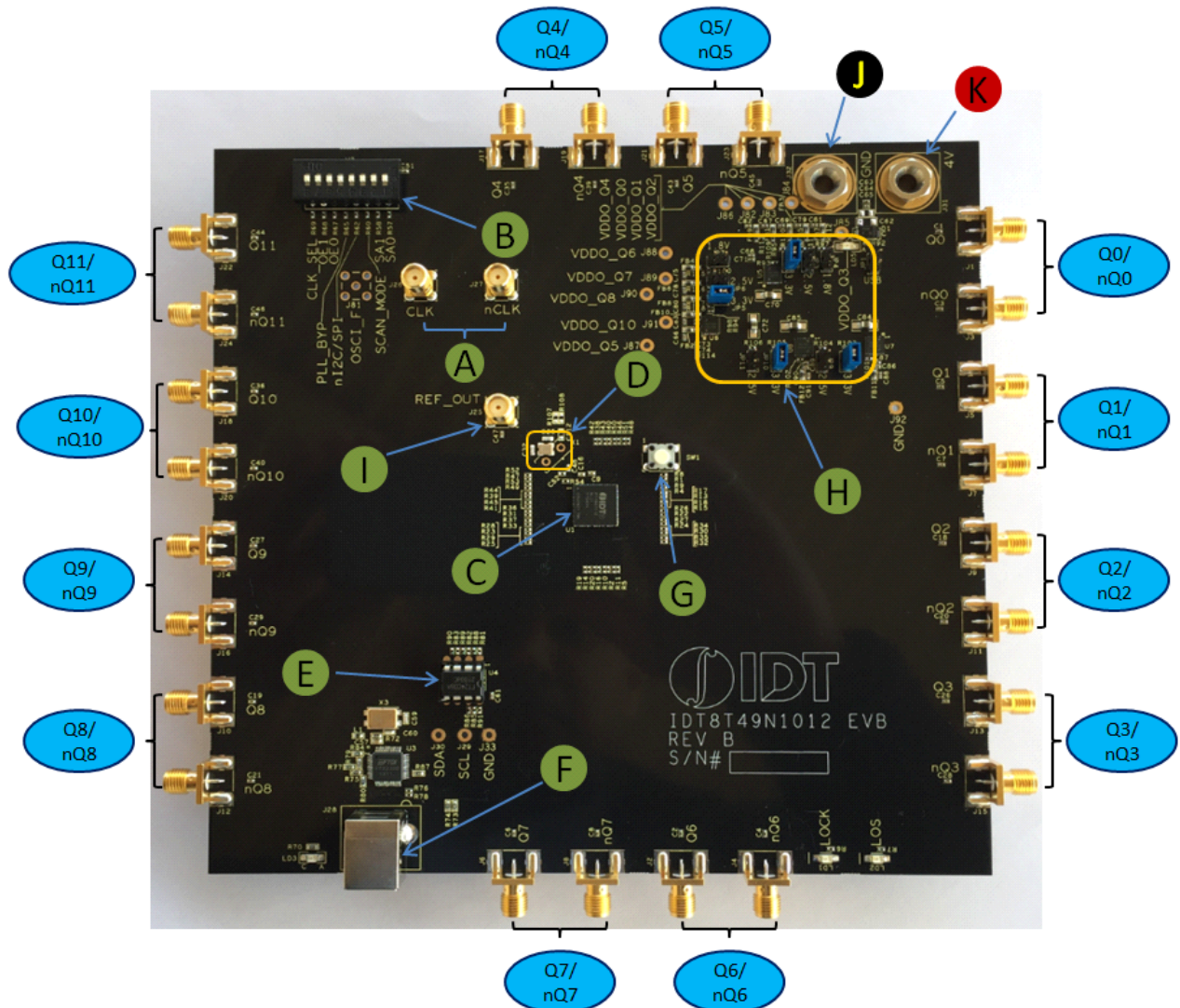
Set-up 2:

- OSCI/OSCO will be used as input
- Q0/nQ0 will be used as output

Board Overview

Use [Figure 1](#) to identify the power supply jacks, input and output SMA connectors, USB connector, crystal, power selection jumpers, dip switch, device under test, EEPROM, Reset button, CLK/nCLK Inputs and Ref_Out.

Figure 1. 8T49N1012 Evaluation Board Top View



Requirements

- Power supply with 4V and ~800mA rating
- Signal generator (10MHz to 600MHz Input and an amplitude from 0.4V to 0.8V) or crystal
- Signal analyzer
- Two banana plug cables (red and black) to connect the power supply source to the board
- Two SMA cables to connect the signal generator to the CLK/nCLK inputs
- Two SMA cables to connect Q0/nQ0 to the signal analyzer
- 50Ω to ground terminators to terminate the unused outputs
- USB cable to connect the board to a laptop and program the device

DIP Switch Pin

Table 1: DIP Switch Pin Description

Pin Name	Description
CLK_SEL	Clock select pin. 0: CLK/nCLK; 1: XTAL (Default)
OE1	Output enable. LVCMOS/LVTTL interface levels
OE0	Output enable. LVCMOS/LVTTL interface levels.
PLL_BYP	Bypass Selection. Allow PLL references to bypass PLL and appear at Q[0:3]. LVTTL / LVCMOS interface levels.
ni ² C/SPI	Serial Interface Mode Selection. LVCMOS Input Levels: 0 = I ² C Mode; 1 = SPI Mode
SCAN_MODE	(Factory Use Only)
SA1	I ² C lower address bit A1 / SPI interface serial data input signal.
SA0	I ² C lower address bit A0 / SPI interface chip select signal.

Legend–Evaluation Board

Inputs

CLK/nCLK	Clock input lines. Can accept LVPECL, LVDS, LVHSTL, HCSL or LVCMOS input clock.
OSCI/OSCO	Crystal input lines.

Outputs

Q0/nQ0	Can be a differential pair or two individual single-ended outputs.
Q1/nQ1	Can be a differential pair or two individual single-ended outputs.
Q2/nQ2	Can be a differential pair or two individual single-ended outputs.
Q3/nQ3	Can be a differential pair or two individual single-ended outputs.
Q4/nQ4	Can be a differential pair or two individual single-ended outputs.
Q5/nQ5	Can be a differential pair or two individual single-ended outputs.
Q6/nQ6	Can be a differential pair or two individual single-ended outputs.
Q7/nQ7	Can be a differential pair or two individual single-ended outputs.
Q8/nQ8	Can be a differential pair or two individual single-ended outputs.
Q9/nQ9	Can be a differential pair or two individual single-ended outputs.
Q10/nQ10	Can be a differential pair or two individual single-ended outputs.
Q11/nQ11	Can be a differential pair or two individual single-ended outputs.

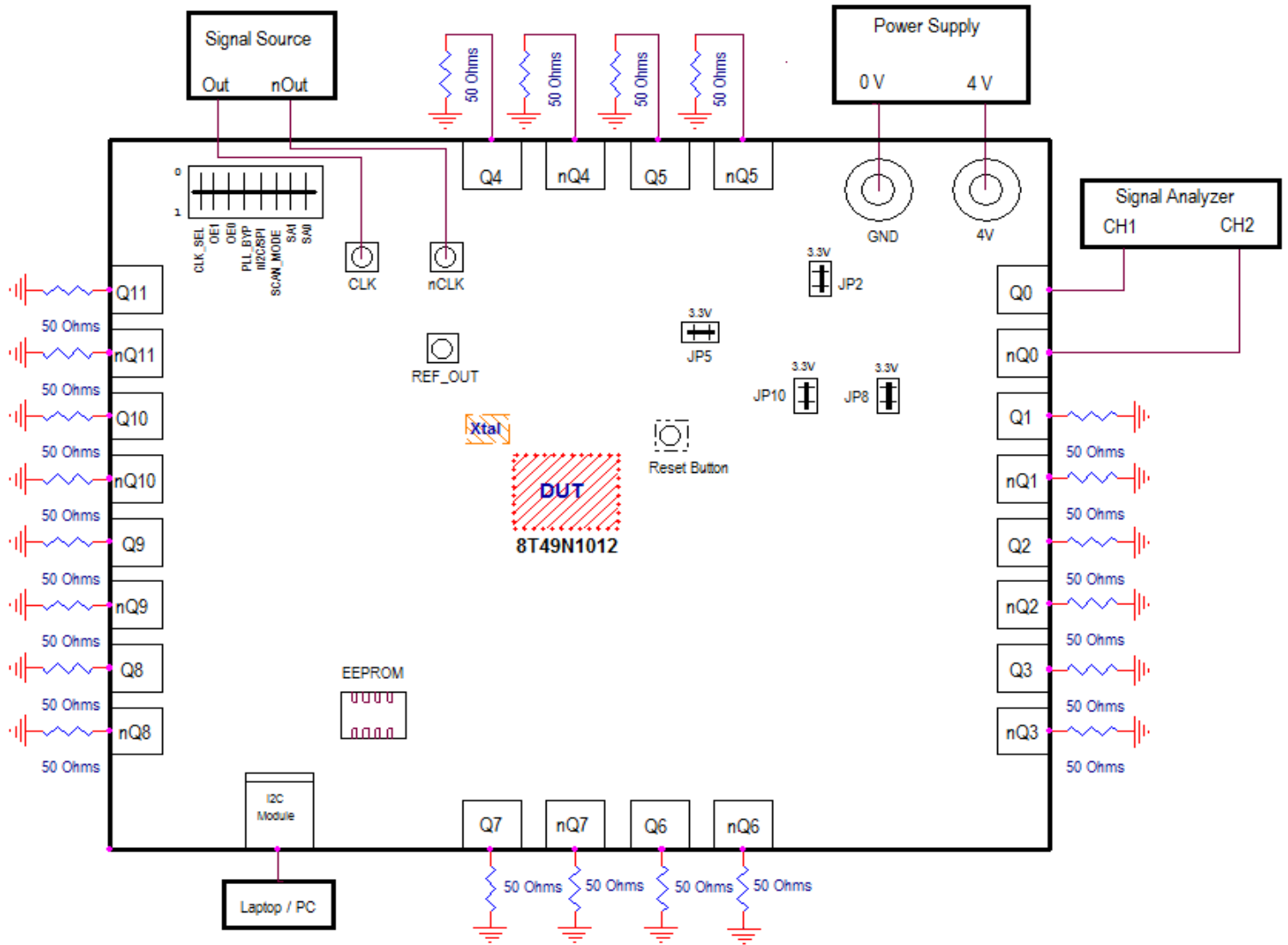
Other

A	CLK and nCLK Inputs
B	Dip Switch for DC control signals (CLK_SEL, PLL_BYP, etc).
C	Device Under Test - 8T49N1012
D	3.2 x 2.5 mm SMD Fox-603-38.88-4 Crystal.
E	EEPROM - AT24CO4C.
F	USB connector.
G	RESET Button.
H	Power Selection Headers and Jumpers.
I	REF_OUT. Single-ended 1.8V LVCMOS Output.
J	Ground Connection Jack.
K	VDD Connection Jack.

Quick Set-Up 1: Using Clock Generator as Input

- 1) Set power supply to 4V, single supply and set CLK_SEL to "0" on Dip Switch to select Clock as input.
- 2) Place jumpers on JP2, JP5, JP8 and JP10 to set VDD, VDDO and VDDA to 3.3V (if different voltage required, place jumper on the corresponding header).
- 3) Connect the black GND power supply cable to the GND connector of the 8T49N1012 board.
- 4) Connect the red 4 V power supply cable to the 4 V connector of the board.
- 5) Connect the signal generator's SMA cables to CLK/nCLK (*10MHz to 600MHz Input and amplitude from 0.4V to 0.8V*). 50 Ω to GND termination installed on board by default.
- 6) Connect two SMA cables from the Q0/nQ0 outputs of the board to the signal analyzer.
- 7) And finally, connect the USB cable from the laptop to the board's USB connector and program the device using Timing Commander.

Figure 2. Evaluation Board Powered Up and Connectivity Using Clock as Input

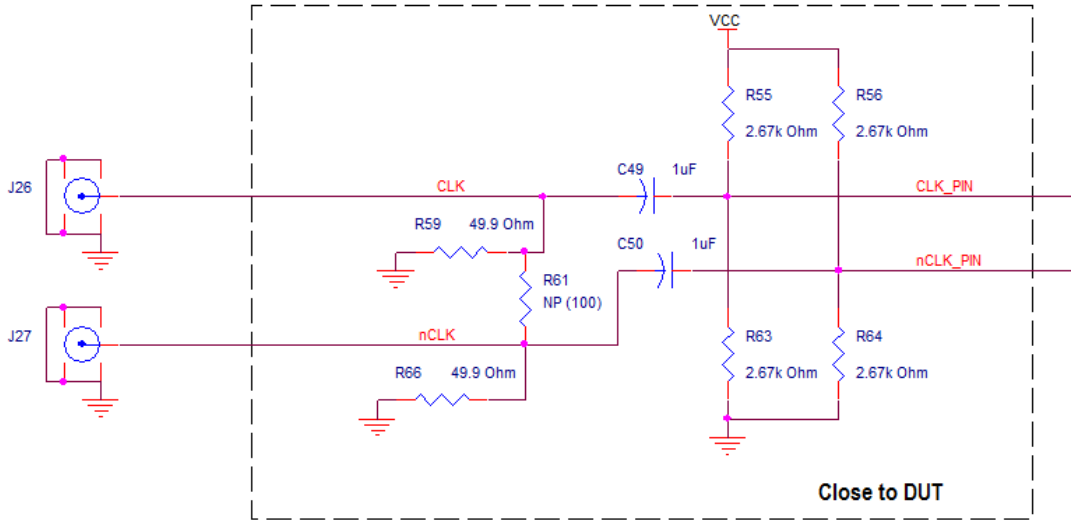


Schematics

The following figures are schematics that are applicable when using a signal generator as input. The complete schematic is available in a separate document. These are the input and output termination schematics.

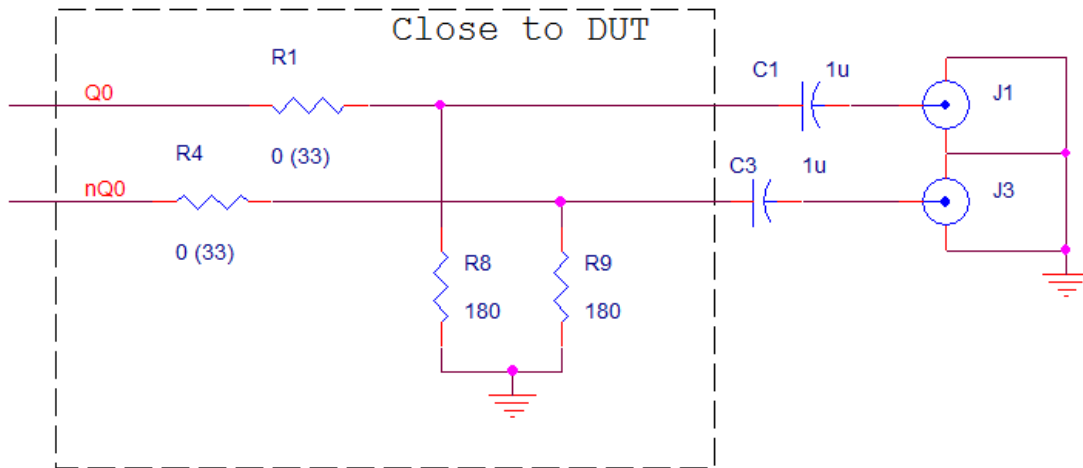
The input schematic is shown in [Figure 3](#).

Figure 3. Input Schematic (Set-up #1)



The output schematic is shown in [Figure 4](#).

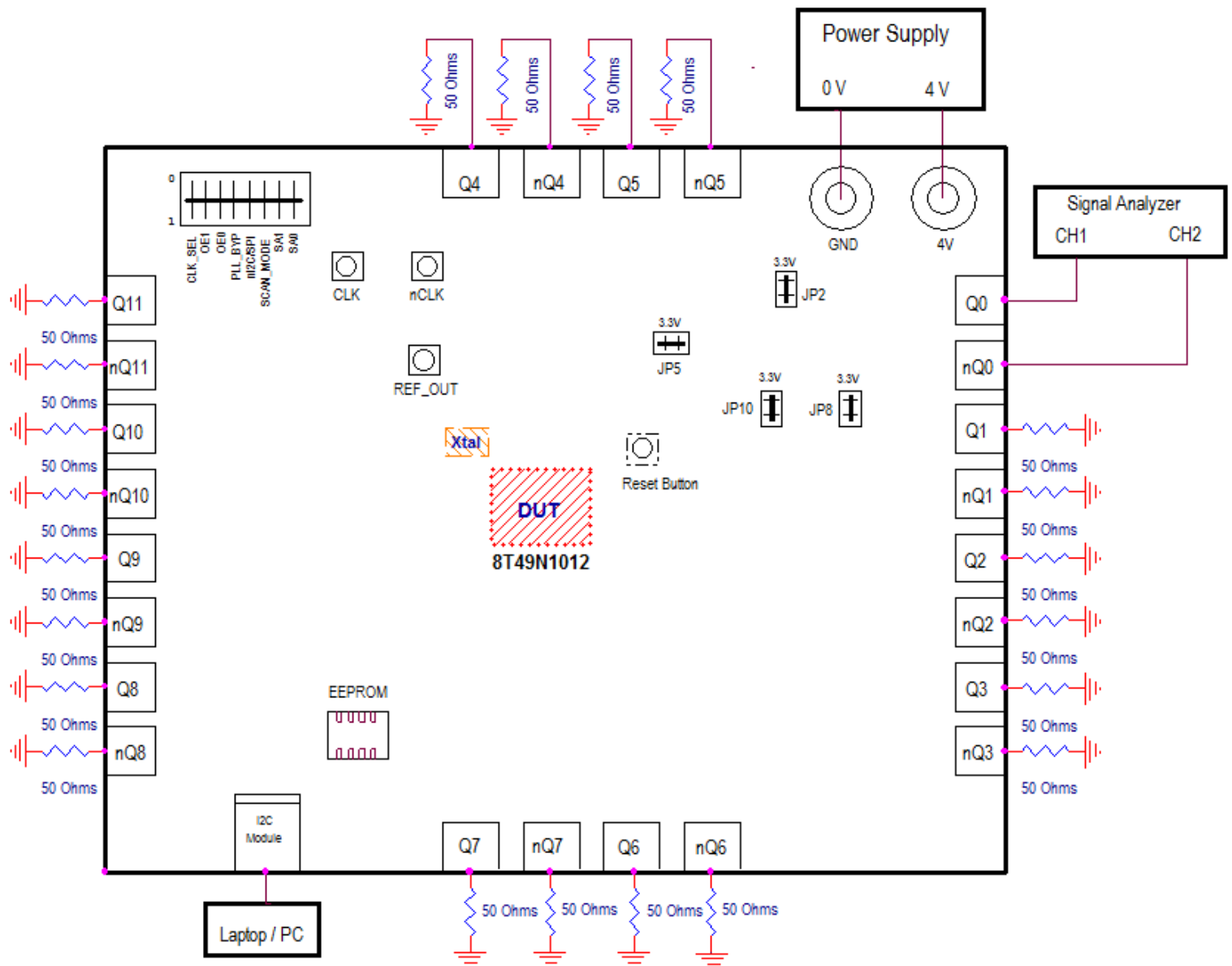
Figure 4. Output Schematic (Set-up #1)



Quick Set-Up 2: Using Crystal as Input

- 1) Set power supply to 4V, single supply and set CLK_SEL to "1" on Dip Switch to select Crystal as input.
- 2) Place jumpers on JP2, JP5, JP8 and JP10 to set VDD, VDDO and VDDA to 3.3V (if different voltage required, place jumper on the corresponding header).
- 3) Connect the black GND power supply cable to the GND connector of the 8T49N1012 board.
- 4) Connect the red 4 V power supply cable to the 4 V connector of the board.
- 5) Connect two SMA cables from the Q0/nQ0 outputs of the board to the signal analyzer.
- 6) Ultimately, connect the USB cable from the laptop to the board's USB connector and program the device using Timing Commander.

Figure 5. Evaluation Board Powered Up and Connectivity Using Crystal as Input

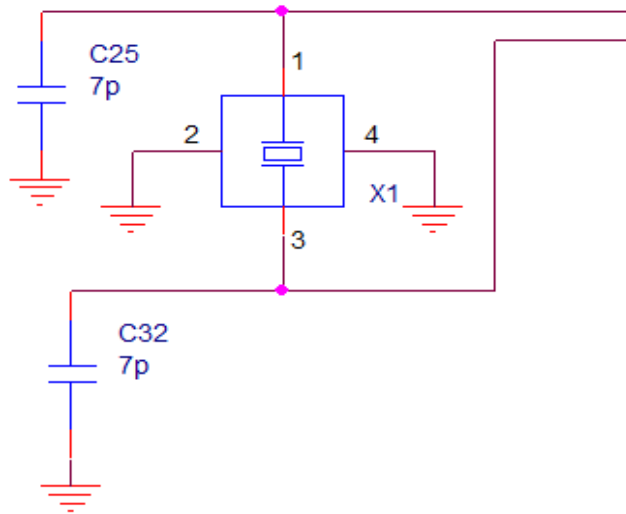


Schematics

The following figures are schematics that are applicable when using the crystal as input. The complete schematic is available in a separate document. These are the input and output termination schematics.

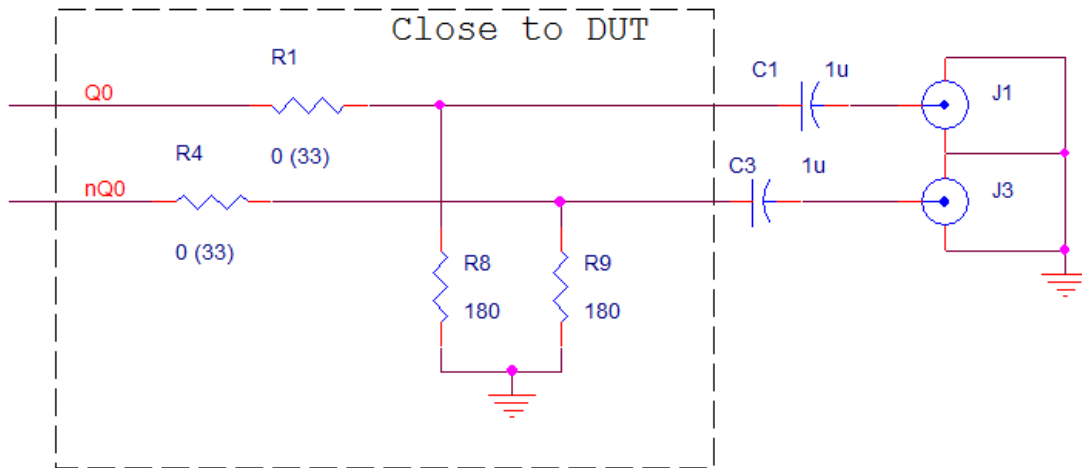
The input schematic is shown in [Figure 6](#).

Figure 6. Input Schematic (Set-Up #2)



The output schematic is shown in [Figure 7](#).

Figure 7. Output Schematic



* If the output frequency is below 50MHz, increase the value of C1 and C3.



Corporate Headquarters
6024 Silver Creek Valley Road
San Jose, CA 95138 USA

Sales
1-800-345-7015 or 408-284-8200
Fax: 408-284-2775
www.IDT.com

Tech Support
www.idt.com/go/support

DISCLAIMER Integrated Device Technology, Inc. (IDT) and its subsidiaries reserve the right to modify the products and/or specifications described herein at any time and at IDT's sole discretion. All information in this document, including descriptions of product features and performance, is subject to change without notice. Performance specifications and the operating parameters of the described products are determined in the independent state and are not guaranteed to perform the same way when installed in customer products. The information contained herein is provided without representation or warranty of any kind, whether express or implied, including, but not limited to, the suitability of IDT's products for any particular purpose, an implied warranty of merchantability, or non-infringement of the intellectual property rights of others. This document is presented only as a guide and does not convey any license under intellectual property rights of IDT or any third parties.

IDT's products are not intended for use in applications involving extreme environmental conditions or in life support systems or similar devices where the failure or malfunction of an IDT product can be reasonably expected to significantly affect the health or safety of users. Anyone using an IDT product in such a manner does so at their own risk, absent an express, written agreement by IDT.

Integrated Device Technology, IDT and the IDT logo are registered trademarks of IDT. Product specification subject to change without notice. Other trademarks and service marks used herein, including protected names, logos and designs, are the property of IDT or their respective third party owners.

Copyright ©2016 Integrated Device Technology, Inc.. All rights reserved.