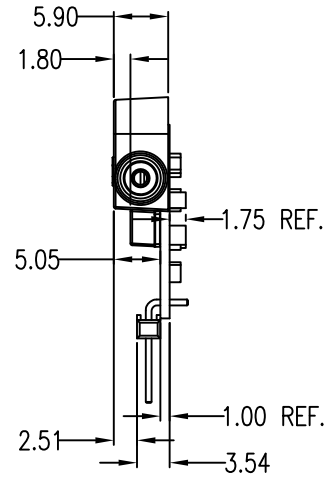
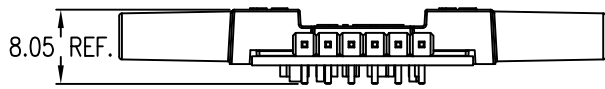


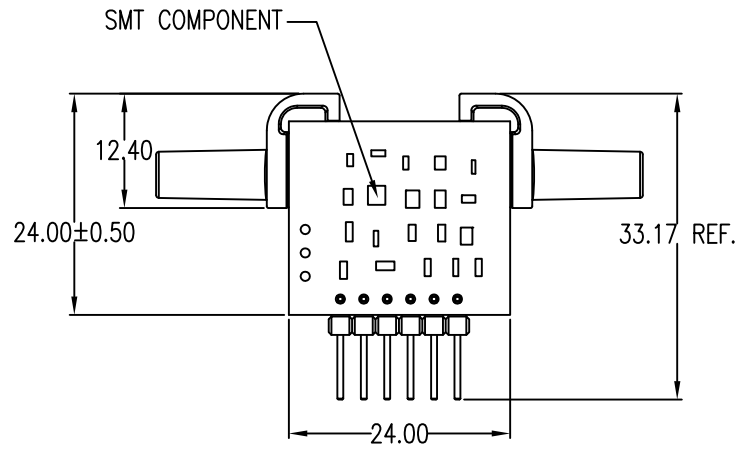
TOP VIEW



SIDE VIEW



SIDE VIEW



BOTTOM VIEW

NOTES:

1. ALL DIMENSIONING AND TOLERANCING CONFORM TO ANSI Y14.5M-1982
2. ALL DIMENSIONS ARE IN MILLIMETERS

| Package Revision History |         |                 |
|--------------------------|---------|-----------------|
| Date Created             | Rev No. | Description     |
| Aug 11, 2017             | Rev 01  | Modify "NOTE"   |
| Aug 4, 2017              | Rev 00  | Initial Release |