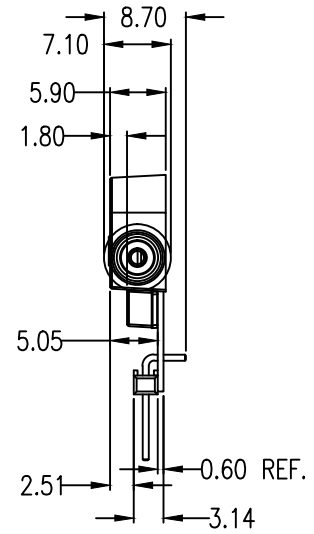
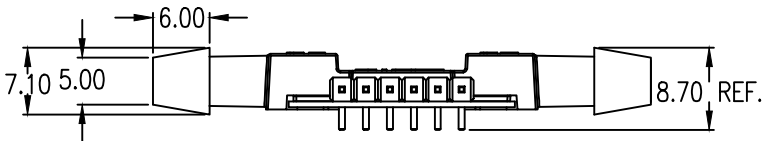


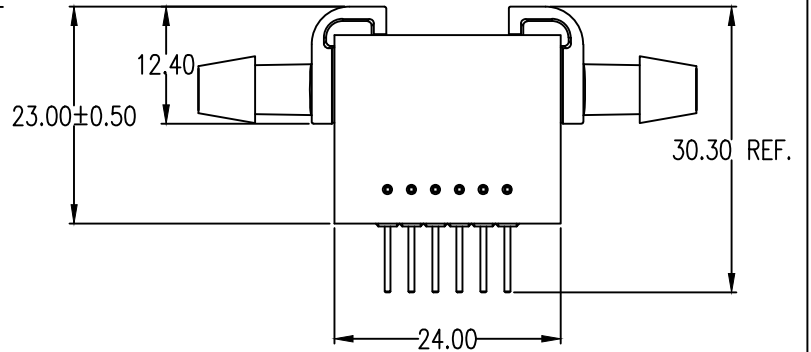
TOP VIEW



SIDE VIEW



SIDE VIEW



BOTTOM VIEW

NOTES:

1. ALL DIMENSIONING AND TOLERANCING CONFORM TO ANSI Y14.5M-1982
2. ALL DIMENSIONS ARE IN MILLIMETERS

Package Revision History		
Date Created	Rev No.	Description
Aug 11, 2017	Rev 01	Modify "NOTE"
Nov 16, 2017	Rev 02	Modify Port Tip Design