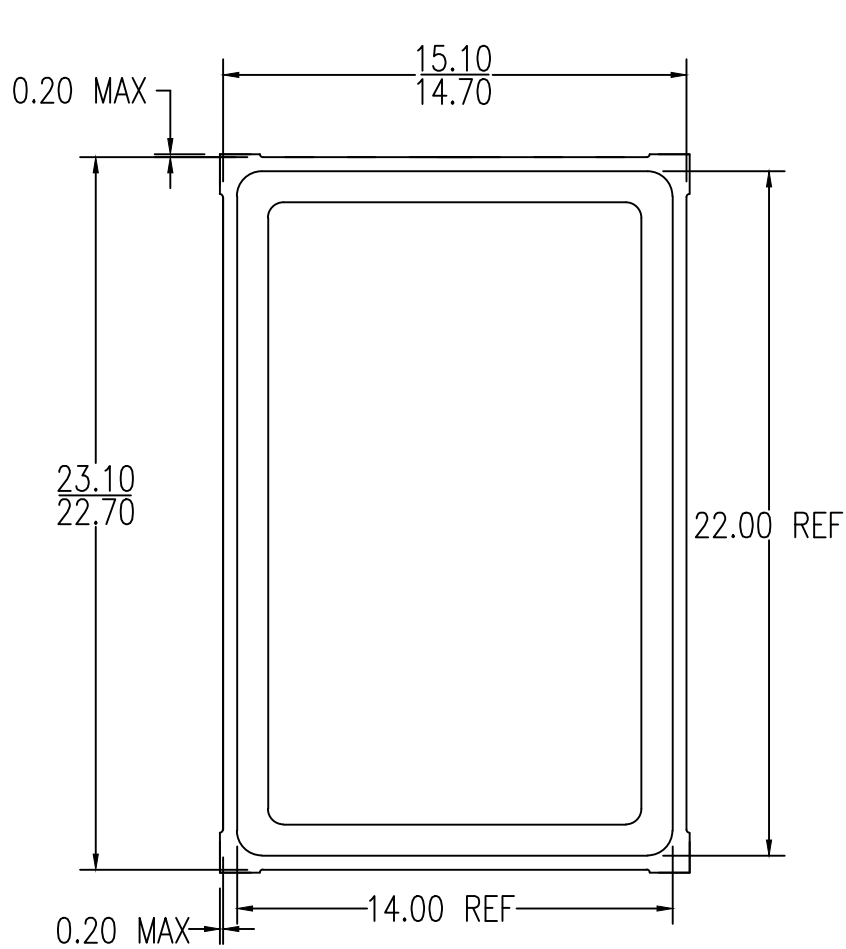
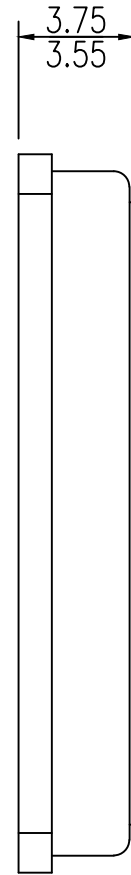


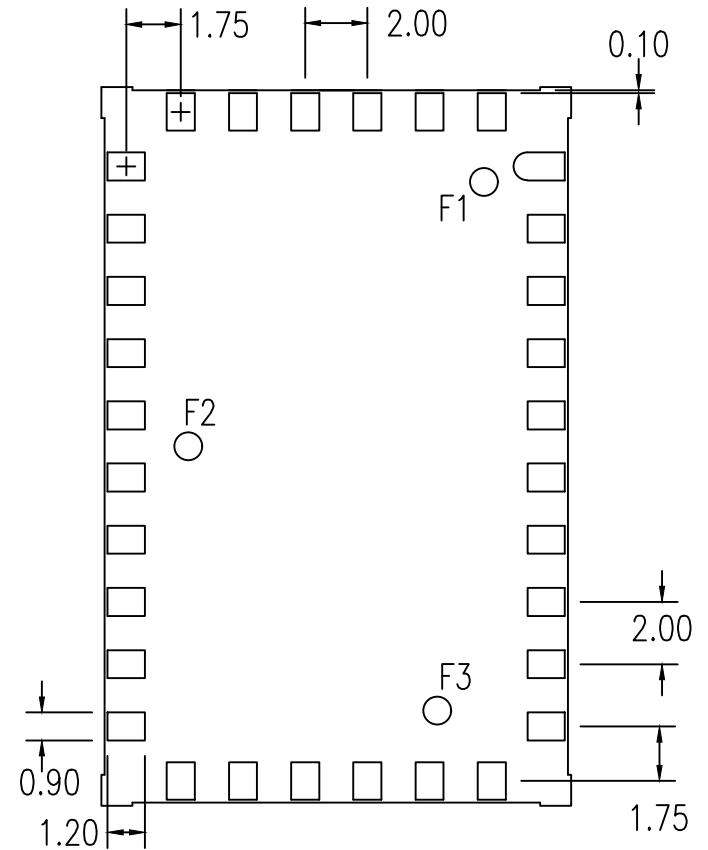
DATE CREATED		REVISIONS		
REV	DESCRIPTION	AUTHOR		
12/19/17	00	INITIAL RELEASE		Ruther
NOTE: REFER TO DCP FOR OFFICIAL RELEASE DATE				



TOP VIEW



SIDE VIEW




BOTTOM VIEW

Fiducial Symbol	Coordinates (X,Y)
F1	(-2.0 , -0.5)
F2	(-11.5 , -9.0)
F3	(-3.5 , -17.5)

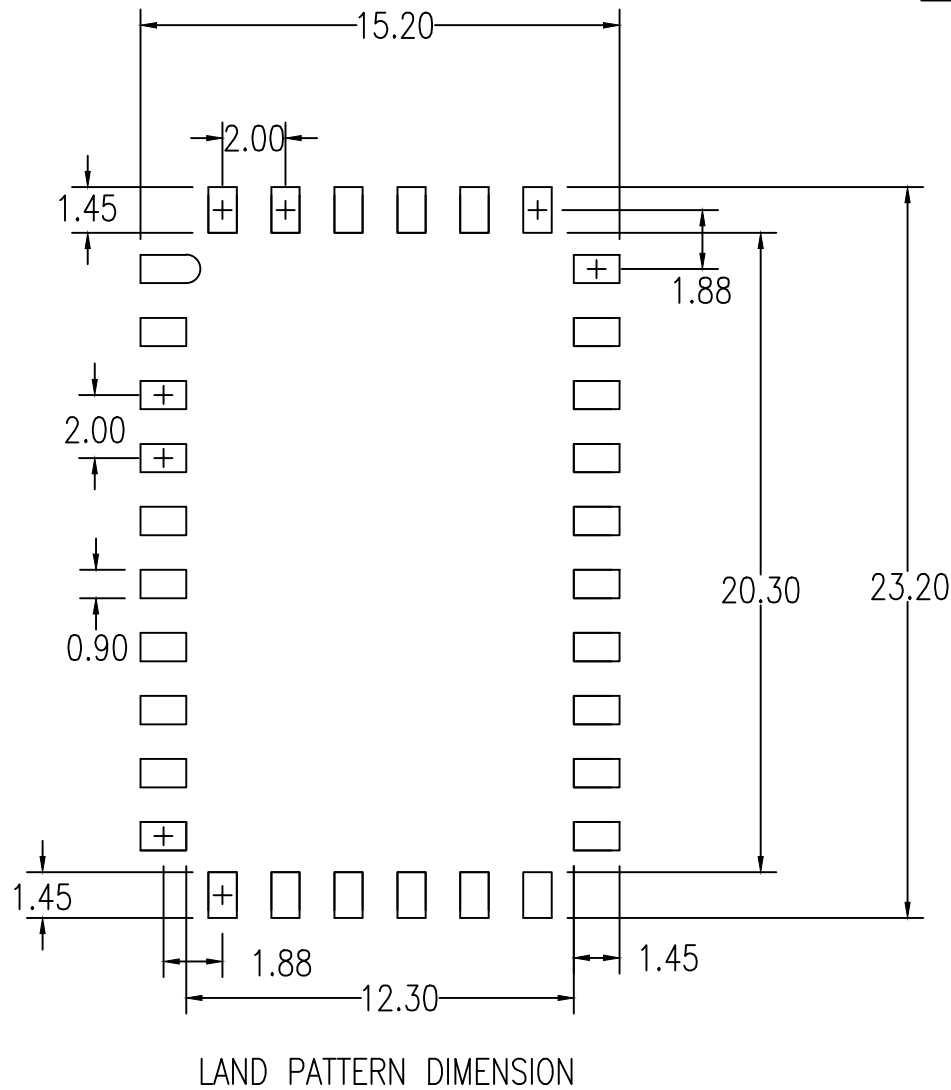
Fiducial position is relative to the center of Pin1 rectangle section (0,0) at bottom view.

Fiducial radius: 0.45

NOTE: ALL DIMENSIONS AND ANGLES IN MM.

TOLERANCES UNLESS SPECIFIED		 6024 Silver Creek Valley Road San Jose, CA 95138 PHONE: (408) 284-8200 FAX: (408) 284-8591	
DECIMAL	ANGULAR	www.IDT.com	
XX±	±	TITLE ZWR4512 Package Outline Drawing 14.9 x 22.9 x 3.65 mm Body 2.0mm Pitch MOD0	
XXX±		SIZE	REV
XXXX±		C	00
		DRAWING No.	PSC-4751
		DO NOT SCALE DRAWING	SHEET 1 OF 2

DATE CREATED	REVISIONS		
	REV	DESCRIPTION	AUTHOR
12/19/17	00	INITIAL RELEASE	Ruther
NOTE: REFER TO DCP FOR OFFICIAL RELEASE DATE			



NOTE:
1. ALL DIMENSIONS AND ANGLES IN MM.

TOLERANCES UNLESS SPECIFIED		6024 Silver Creek Valley Road San Jose, CA 95138	
DECIMAL	ANGULAR	PHONE: (408) 284-8200	
XX±	±	www.IDT.com	
XXX±		FAX: (408) 284-8591	
XXXX±		TITLE ZWIR4512 Package Outline Drawing 14.9 x 22.9 x 3.65 mm Body 2.0mm Pitch MOD0	
SIZE	DRAWING No.	REV	
C	PSC-4751	00	
DO NOT SCALE DRAWING			SHEET 2 OF 2