

### Description

The P9242-G is a highly integrated, magnetic induction, wireless power transmitter that supports up to 15W in compliance with the WPC-1.2.4 specification or proprietary applications. It is compatible with all popular wireless charging protocols including the WPC Baseline Power Profile (BPP), Extended Power Profile (EPP), up to 7.5W charging for iPhones, and Android proprietary fast charging modes. This system-on-chip solution (SoC) operates with an input voltage range of 5V to 19V.

The P9242-G transmitter IC includes an industry-leading 32-bit ARM® Cortex®-M0 processor, offering a high level of programmability and extremely low standby power consumption.

The P9242-G transmitter generates power through the power coil, detects the presence of a wireless power receiver, decodes the communication packets from the receiver, and adjusts the transmitted power by controlling the voltage based on feedback from the receiver. The P9242-G is specially designed to support fixed-frequency operation as described in the WPC MP-A11 coil configuration with an external input step-down buck regulator. It uses an external oscillator for very accurate 127.7kHz fixed frequency operation.

The P9242-G features two LED outputs with pre-defined user-programmable blinking patterns for end-user indication, supporting a wide range of applications. The transmitter detects if a foreign metal object is placed on the transmitter pad via advanced Q detection. The microcontroller empowers the user to customize foreign object detection (FOD) threshold settings. The I2C serial communication allows the user to read the transmitter's basic information, such as voltage, current, frequency, and fault conditions.

The P9242-G also features a wide range of system protections, such as over-current, over-voltage, under-voltage lockout, and thermal management circuits to safe guard wireless power systems under fault conditions.

The P9242-G is available in a lead-free, space-saving 48-pin VFQFPN package. The product is rated for a -40°C to +85°C operating temperature range.

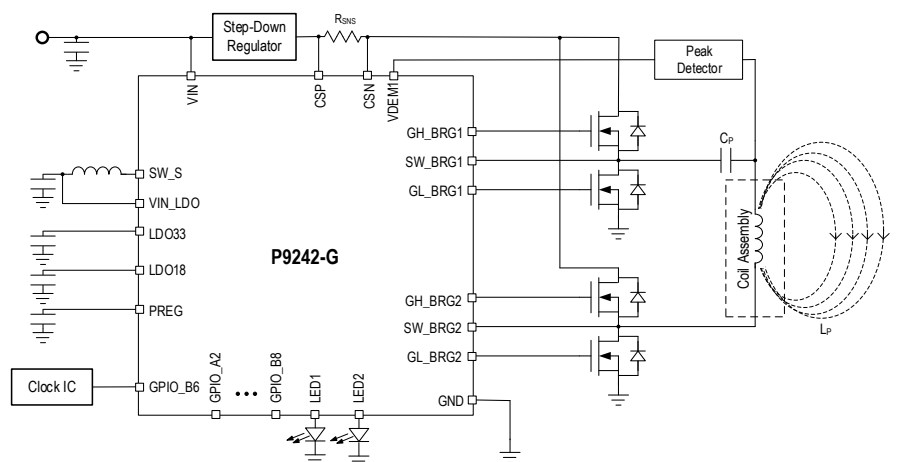
### Typical Applications

- BPP and EPP Wireless Charging Pads
- Up to 7.5W charging for iPhones
- Android Fast Charging Pads
- Cradles
- Tablets
- After-Market Automotive Wireless Charging Pads

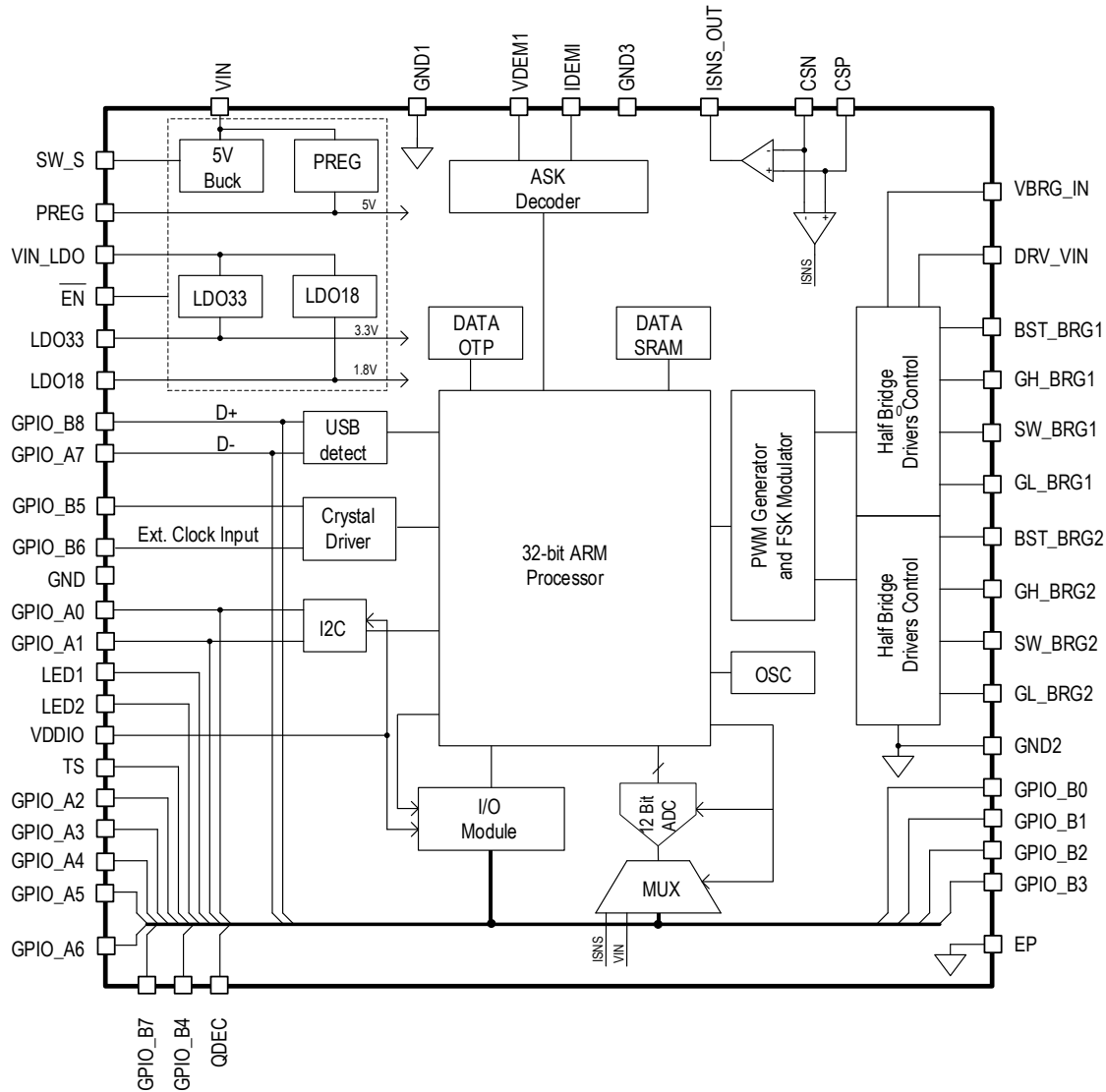
### Features

- Power transfer up to 15W at receiver side
- Wide input voltage range: 5V to 19V
- WPC-1.2.4 compatible, MP-A11 coil configuration
- Integrated drivers for external power MOSFETs
- Embedded 32-bit ARM® Cortex®-M0 processor (trademark of ARM, Ltd.)
- Simultaneous voltage and current demodulation scheme for WPC communication
- Integrated current sense amplifier
- Low standby power
- Supports accurate 127.7kHz frequency operation
- Feedback control for external input step-down regulator
- Dedicated remote temperature sensing
- User-programmable power transfer LED indicators
- User programmable foreign objects detection (FOD)
- WPC EPP-based Q-factor detection and advanced proprietary Q-factor detection
- Active-LOW enable pin for electrical on/off
- Over-current and over-temperature protection
- Supports I2C interface
- -40 to +85°C ambient operating temperature range
- 48-VFQFPN (6 × 6 mm) RoHS-compliant package

### Typical Application Circuit



# Function Block Diagram



### Corporate Headquarters

6024 Silver Creek Valley Road  
San Jose, CA 95138  
[www.IDT.com](http://www.IDT.com)

### Sales

1-800-345-7015 or 408-284-8200  
Fax: 408-284-2775  
[www.IDT.com/go/sales](http://www.IDT.com/go/sales)

### Tech Support

[www.IDT.com/go/support](http://www.IDT.com/go/support)

DISCLAIMER Integrated Device Technology, Inc. (IDT) and its affiliated companies (herein referred to as "IDT") reserve the right to modify the products and/or specifications described herein at any time, without notice, at IDT's sole discretion. Performance specifications and operating parameters of the described products are determined in an independent state and are not guaranteed to perform the same way when installed in customer products. The information contained herein is provided without representation or warranty of any kind, whether express or implied, including, but not limited to, the suitability of IDT's products for any particular purpose, an implied warranty of merchantability, or non-infringement of the intellectual property rights of others. This document is presented only as a guide and does not convey any license under intellectual property rights of IDT or any third parties.

IDT's products are not intended for use in applications involving extreme environmental conditions or in life support systems or similar devices where the failure or malfunction of an IDT product can be reasonably expected to significantly affect the health or safety of users. Anyone using an IDT product in such a manner does so at their own risk, absent an express, written agreement by IDT.

Integrated Device Technology, IDT and the IDT logo are trademarks or registered trademarks of IDT and its subsidiaries in the United States and other countries. Other trademarks used herein are the property of IDT or their respective third party owners. For datasheet type definitions and a glossary of common terms, visit [www.idt.com/go/glossary](http://www.idt.com/go/glossary). All contents of this document are copyright of Integrated Device Technology, Inc. All rights reserved.