

## Brief Description

The ZSPM1035C and ZSPM1035D are true-digital single-phase PWM controllers optimally configured for use with the Murata Power Solutions 35A Power Block OKLP-X/35-W12-C in smart digital power solutions.

The ZSPM1035C and ZSPM1035D integrate a digital control loop, optimized for maximum flexibility and stability as well as load step and steady-state performance. In addition, a rich set of protection functions is provided.

To simplify the system design, a set of optimized configuration options have been pre-programmed in the devices. These configurations can be selected by setting the values of two external resistors.

Reference solutions are available complete with layout recommendations, example circuit board layouts, complete bill of materials and more.

## Features

- Application-optimized digital control loop
- Advanced, digital control techniques
  - Tru-sample Technology™
  - State-Law Control™ (SLC)
  - Sub-cycle Response™ (SCR)
- Improved transient response and noise immunity
- Protection features
  - Over-current protection
  - Over-voltage protection (VIN, VOUT)
  - Under-voltage protection (VIN, VOUT)
  - Overloaded startup
  - Continuous retry (“hiccup”) mode for fault conditions
- Pre-programmed for optimized use with Murata Power Solutions 35A Power Block OKLP-X/35-W12-C
- 2-pin configuration for loop compensation, output voltage, and slew rate.
- Operation from a single 5V or 3.3V supply

## Benefits

- Fast time-to-market using off-the-shelf, optimally configured controller and power block
- Fast configuration and design flexibility
- Simplified design and integration
- FPGA designer-friendly solution
- Highest power density with smallest footprint
- Pin-to-pin compatible with the ZSPM1035A PWM controller enabling point-of-load platform designs with or without digital communication
- Higher energy efficiency across all output loading conditions

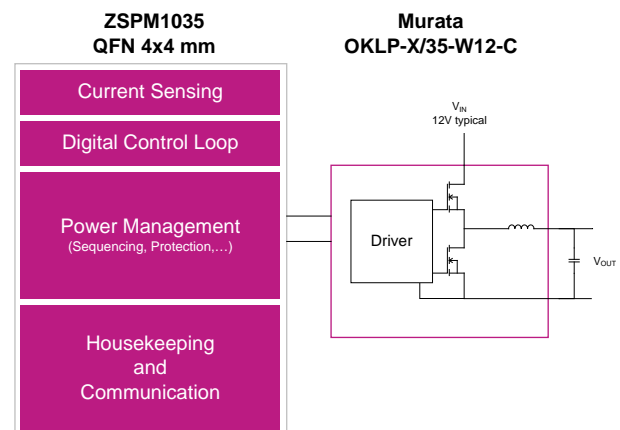
## Available Support

- Evaluation Kit
- Reference Solutions
- PC-based Pink Power Designer™ Graphic User Interface (GUI)

## Physical Characteristics

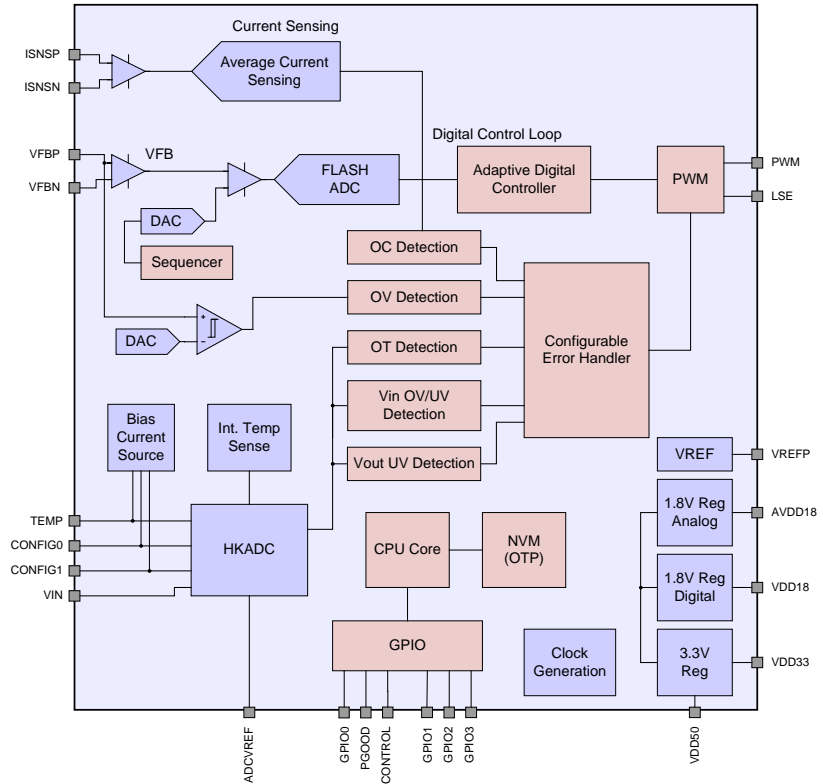
- Operation temperature: -40°C to +125°C
- ZSPM1035C V<sub>OUT</sub>: 0.62V to 1.20V
- ZSPM1035D V<sub>OUT</sub>: 1.25V to 3.40V
- Lead free (RoHS compliant) 24-pin QFN package (4mm x 4mm)

## ZSPM1035C/D Typical Application Diagram



## ZSPM1025C/D Block Diagram

- Typical Applications**
- ❖ Telecom Switches
  - ❖ Servers and Storage
  - ❖ Base Stations
  - ❖ Network Routers
  - ❖ Industrial Applications
  - ❖ FPGA Designs
  - ❖ Point-of-Load Power Solutions
  - ❖ Telecommunications
  - ❖ Single-Rail/Single-Phase Supplies for Processors, ASICs, DSPs, etc.



## Ordering Information

Sales Code	Description	Package
ZSPM1035CA1W 0	ZSPM1035C Lead-free QFN24 — Temperature range: -40°C to +125°C	7" Reel
ZSPM1035DA1W 0	ZSPM1035D Lead-free QFN24 — Temperature range: -40°C to +125°C	7" Reel
ZSPM8735-KIT	Evaluation Kit for ZSPM1035C with PMBus™ Communication Interface *	Kit
ZSPM8835-KIT	Evaluation Kit for ZSPM1035D with PMBus™ Communication Interface *	Kit

\* Pink Power Designer™ GUI for kit can be downloaded from the IDT web site at [www.IDT.com/ZSPM1035C](http://www.IDT.com/ZSPM1035C) or [www.IDT.com/ZSPM1035D](http://www.IDT.com/ZSPM1035D).



Corporate Headquarters  
6024 Silver Creek Valley Road  
San Jose, CA 95138  
[www.IDT.com](http://www.IDT.com)

Sales  
1-800-345-7015 or 408-284-8200  
Fax: 408-284-2775  
[www.IDT.com/go/sales](http://www.IDT.com/go/sales)

Tech Support  
[www.IDT.com/go/support](http://www.IDT.com/go/support)

DISCLAIMER Integrated Device Technology, Inc. (IDT) reserves the right to modify the products and/or specifications described herein at any time, without notice, at IDT's sole discretion. Performance specifications and operating parameters of the described products are determined in an independent state and are not guaranteed to perform the same way when installed in customer products. The information contained herein is provided without representation or warranty of any kind, whether express or implied, including, but not limited to, the suitability of IDT's products for any particular purpose, an implied warranty of merchantability, or non-infringement of the intellectual property rights of others. This document is presented only as a guide and does not convey any license under intellectual property rights of IDT or any third parties.

IDT's products are not intended for use in applications involving extreme environmental conditions or in life support systems or similar devices where the failure or malfunction of an IDT product can be reasonably expected to significantly affect the health or safety of users. Anyone using an IDT product in such a manner does so at their own risk, absent an express, written agreement by IDT.

Integrated Device Technology, IDT and the IDT logo are trademarks or registered trademarks of IDT and its subsidiaries in the United States and other countries. Other trademarks used herein are the property of IDT or their respective third party owners. For datasheet type definitions and a glossary of common terms, visit [www.idt.com/go/glossary](http://www.idt.com/go/glossary). All contents of this document are copyright of Integrated Device Technology, Inc. All rights reserved.