



Device Overview

The 89HPES48H12 is a member of the IDT PRECISE™ family of PCI Express® switching solutions. The PES48H12 is a 48-lane, 12-port system interconnect switch optimized for PCI Express packet switching in high-performance applications, supporting multiple simultaneous peer-to-peer traffic flows. Target applications include servers, storage, communications, and embedded systems.

Features

◆ High Performance PCI Express Switch

- Twelve maximum switch ports
- Six main ports each of which consists of 8 SerDes
- Each x8 main port can further bifurcate to 2 x4-ports
- Forty-eight 2.5 Gbps embedded SerDes
- Supports pre-emphasis and receive equalization on per-port basis
- Delivers 192 Gbps (24 GBps) of aggregate switching capacity
- Low-latency cut-through switch architecture
- Support for Max Payload Size up to 2048 bytes
- Supports two virtual channels and eight traffic classes
- PCI Express Base Specification Revision 1.1 compliant

◆ Flexible Architecture with Numerous Configuration Options

- Port arbitration schemes utilizing round robin algorithms
- Virtual channels arbitration based on priority
- Automatic per port link width negotiation to x8, x4, x2 or x1
- Supports automatic lane reversal on all ports
- Supports automatic polarity inversion on all lanes
- Supports locked transactions, allowing use with legacy software
- Ability to load device configuration from serial EEPROM
- Ability to control device via SMBus

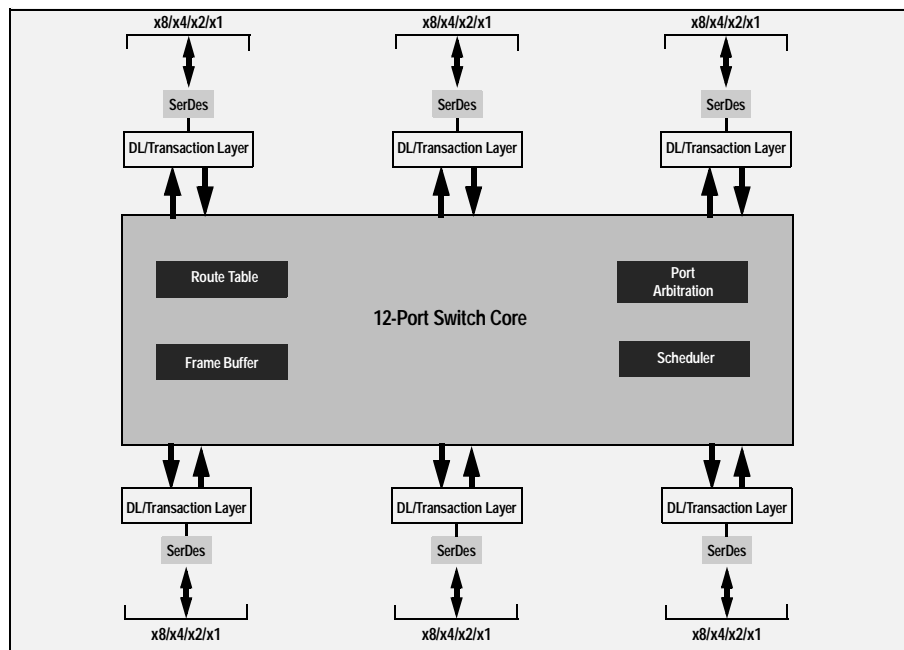
◆ Highly Integrated Solution

- Requires no external components
- Incorporates on-chip internal memory for packet buffering and queueing
- Integrates forty-eight 2.5 Gbps embedded full duplex SerDes, 8B/10B encoder/decoder (no separate transceivers needed)

◆ Reliability, Availability, and Serviceability (RAS) Features

- Redundant upstream port failover capability
- Supports optional PCI Express end-to-end CRC checking
- Internal end-to-end parity protection on all TLPs ensures data integrity even in systems that do not implement end-to-end CRC (ECRC)

Block Diagram



48 PCI Express Lanes
Up to 6 x8 ports or 12 x4 Ports

Figure 1 Internal Block Diagram

- Supports optional PCI Express Advanced Error Reporting
- Supports PCI Express Hot-Plug
 - Compatible with Hot-Plug I/O expanders used on PC motherboards
- Supports Hot-Swap
- ◆ **Power Management**
 - Supports PCI Power Management Interface specification, Revision 1.1 (PCI-PM)
 - Supports powerdown modes at the link level (L0, L0s, L1, L2/L3 Ready and L3) and at the device level (D0, D3_{hot})
 - Unused SerDes disabled
- ◆ **Testability and Debug Features**
 - Built in SerDes Pseudo-Random Bit Stream (PRBS) generator
 - Ability to read and write any internal register via the SMBus
 - Ability to bypass link training and force any link into any mode
 - Provides statistics and performance counters
- ◆ **Thirty-two General Purpose Input/Output pins**
 - Each pin may be individually configured as an input or output
 - Each pin may be individually configured as an interrupt input
 - Some pins have selectable alternate functions
- ◆ **Packaged in a 35mm x 35mm 1156-ball Flip Chip BGA with 1mm ball spacing**

The PES48H12 is based on a flexible and efficient layered architecture. The PCI Express layers consist of SerDes, Physical, Data Link and Transaction layers. The PES48H12 can operate either as a store and forward switch or a cut-through switch and is designed to switch memory and I/O transactions. It supports eight Traffic Classes (TCs) and two Virtual Channels (VCs) with sophisticated resource management to enable efficient switching and I/O connectivity.

SMBus Interface

The PES48H12 contains two SMBus interfaces. The slave interface provides full access to the configuration registers in the PES48H12, allowing every configuration register in the device to be read or written by an external agent. The master interface allows the default configuration register values of the PES48H12 to be overridden following a reset with values programmed in an external serial EEPROM. The master interface is also used by an external Hot-Plug I/O expander.

Six pins make up each of the two SMBus interfaces. These pins consist of an SMBus clock pin, an SMBus data pin, and 4 SMBus address pins. In the slave interface, these address pins allow the SMBus address to which the device responds to be configured. In the master interface, these address pins allow the SMBus address of the serial configuration EEPROM from which data is loaded to be configured. The SMBus address is set up on negation of PERSTN by sampling the corresponding address pins. When the pins are sampled, the resulting address is assigned as shown in Table 1.

Product Description

Utilizing standard PCI Express interconnect, the PES48H12 provides the most efficient system interconnect switching solution for applications requiring high throughput, low latency, and simple board layout with a minimum number of board layers. It provides 192 Gbps of aggregated, full-duplex switching capacity through 48 integrated serial lanes, using proven and robust IDT technology. Each lane provides 2.5 Gbps of bandwidth in both directions and is fully compliant with PCI Express Base specification 1.1.

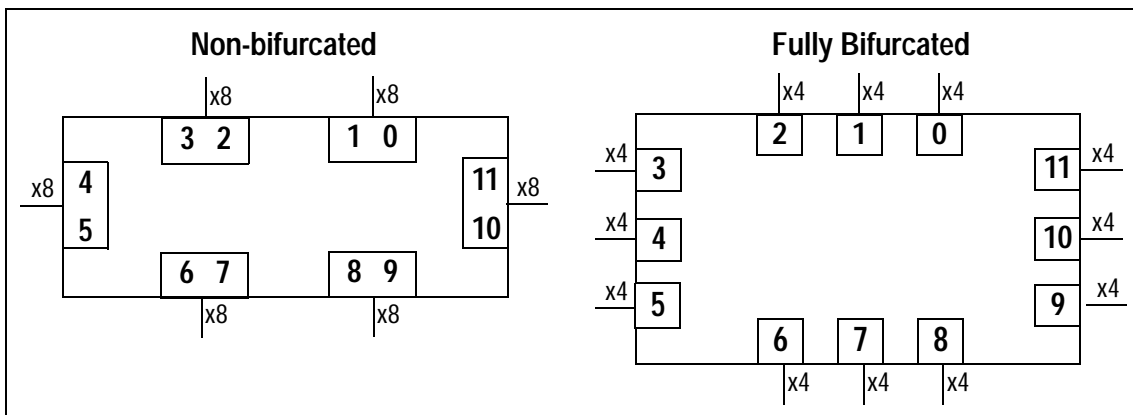


Figure 2 Port Configuration Examples

Note: The configurations in the above diagram show the maximum port widths. The PES48H12 can negotiate to narrower port widths — x4, x2, or x1.

| Bit | Slave SMBus Address | Master SMBus Address |
|-----|---------------------|----------------------|
| 1 | SSMBADDR[1] | MSMBADDR[1] |
| 2 | SSMBADDR[2] | MSMBADDR[2] |
| 3 | SSMBADDR[3] | MSMBADDR[3] |
| 4 | 0 | MSMBADDR[4] |
| 5 | SSMBADDR[5] | 1 |
| 6 | 1 | 0 |
| 7 | 1 | 1 |

Table 1 Master and Slave SMBus Address Assignment

As shown in Figure 3, the master and slave SMBuses may be used in a unified or split configuration. In the unified configuration, shown in Figure 3(a), the master and slave SMBuses are tied together and the PES48H12 acts both as a SMBus master as well as a SMBus slave on this bus. This requires that the SMBus master or processor that has access to PES48H12 registers supports SMBus arbitration. In some systems, this SMBus master interface may be implemented using general purpose I/O pins on a processor or micro controller, and may not support SMBus arbitration. To support these systems, the PES48H12 may be configured to operate in a split configuration as shown in Figure 3(b).

In the split configuration, the master and slave SMBuses operate as two independent buses and thus multi-master arbitration is never required. The PES48H12 supports reading and writing of the serial EEPROM on the master SMBus via the slave SMBus, allowing in system programming of the serial EEPROM.

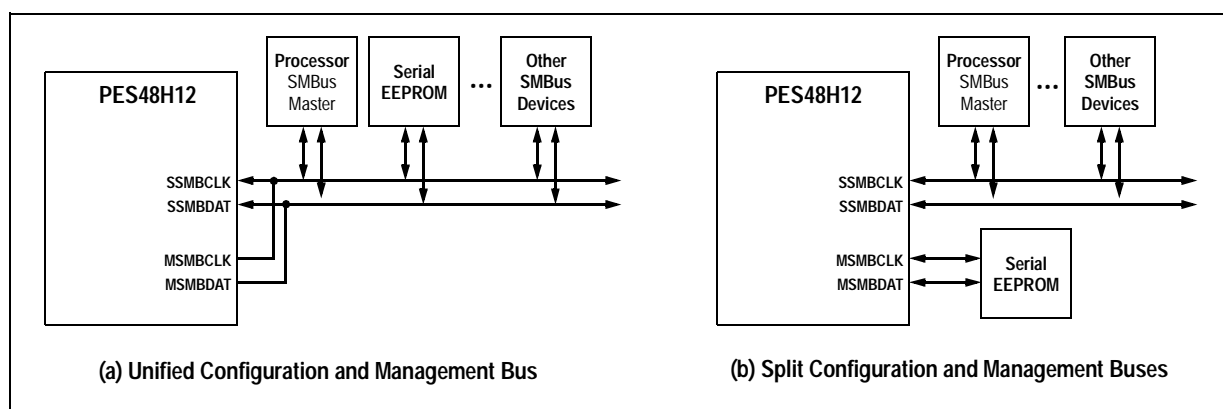


Figure 3 SMBus Interface Configuration Examples

Hot-Plug Interface

The PES48H12 supports PCI Express Hot-Plug on each downstream port (ports 1 through 11). To reduce the number of pins required on the device, the PES48H12 utilizes an external I/O expander, such as that used on PC motherboards, connected to the SMBus master interface. Following reset and configuration, whenever the state of a Hot-Plug output needs to be modified, the PES48H12 generates an SMBus transaction to the I/O expander with the new value of all of the outputs. Whenever a Hot-Plug input changes, the I/O expander generates an interrupt which is received on the IOEXPINTN input pin (alternate function of GPIO) of the PES48H12. In response to an I/O expander interrupt, the PES48H12 generates an SMBus transaction to read the state of all of the Hot-Plug inputs from the I/O expander.

General Purpose Input/Output

The PES48H12 provides 32 General Purpose I/O (GPIO) pins that may be individually configured as general purpose inputs, general purpose outputs, or alternate functions. Some GPIO pins are shared with other on-chip functions. These alternate functions may be enabled via software, SMBus slave interface, or serial configuration EEPROM.

Pin Description

The following tables lists the functions of the pins provided on the PES48H12. Some of the functions listed may be multiplexed onto the same pin. The active polarity of a signal is defined using a suffix. Signals ending with an "N" are defined as being active, or asserted, when at a logic zero (low) level. All other signals (including clocks, buses, and select lines) will be interpreted as being active, or asserted, when at a logic one (high) level. Differential signals end with a suffix "N" or "P." The differential signal ending in "P" is the positive portion of the differential pair and the differential signal ending in "N" is the negative portion of the differential pair.

| Signal | Type | Name/Description |
|--------------------------|------|--|
| PE0RP[3:0] PE0RN[3:0] | I | PCI Express Port 0 Serial Data Receive. Differential PCI Express receive pairs for port 0. Port 0 is the upstream port. |
| PE0TP[3:0] PE0TN[3:0] | O | PCI Express Port 0 Serial Data Transmit. Differential PCI Express transmit pairs for port 0. Port 0 is the upstream port. |
| PE1RP[3:0] PE1RN[3:0] | I | PCI Express Port 1 Serial Data Receive. Differential PCI Express receive pairs for port 1. When port 0 is merged with port 1, these signals become port 0 receive pairs for lanes 4 through 7. |
| PE1TP[3:0] PE1TN[3:0] | O | PCI Express Port 1 Serial Data Transmit. Differential PCI Express transmit pairs for port 1. When port 0 is merged with port 1, these signals become port 0 transmit pairs for lanes 4 through 7. |
| PE2RP[3:0] PE2RN[3:0] | I | PCI Express Port 2 Serial Data Receive. Differential PCI Express receive pairs for port 2. |
| PE2TP[3:0] PE2TN[3:0] | O | PCI Express Port 2 Serial Data Transmit. Differential PCI Express transmit pairs for port 2. |
| PE3RP[3:0] PE3RN[3:0] | I | PCI Express Port 3 Serial Data Receive. Differential PCI Express receive pairs for port 3. When port 2 is merged with port 3, these signals become port 2 receive pairs for lanes 4 through 7. |
| PE3TP[3:0] PE3TN[3:0] | O | PCI Express Port 3 Serial Data Transmit. Differential PCI Express transmit pairs for port 3. When port 2 is merged with port 3, these signals become port 2 transmit pairs for lanes 4 through 7. |
| PE4RP[3:0] PE4RN[3:0] | I | PCI Express Port 4 Serial Data Receive. Differential PCI Express receive pairs for port 4. |
| PE4TP[3:0] PE4TN[3:0] | O | PCI Express Port 4 Serial Data Transmit. Differential PCI Express transmit pairs for port 4. |
| PE5RP[3:0] PE5RN[3:0] | I | PCI Express Port 5 Serial Data Receive. Differential PCI Express receive pairs for port 5. When port 4 is merged with port 5, these signals become port 4 receive pairs for lanes 4 through 7. |
| PE5TP[3:0] PE5TN[3:0] | O | PCI Express Port 5 Serial Data Transmit. Differential PCI Express transmit pairs for port 5. When port 4 is merged with port 5, these signals become port 4 transmit pairs for lanes 4 through 7. |
| PE6RP[3:0] PE6RN[3:0] | I | PCI Express Port 6 Serial Data Receive. Differential PCI Express receive pairs for port 6. |
| PE6TP[3:0] PE6TN[3:0] | O | PCI Express Port 6 Serial Data Transmit. Differential PCI Express transmit pairs for port 6. |
| PE7RP[3:0] PE7RN[3:0] | I | PCI Express Port 7 Serial Data Receive. Differential PCI Express receive pairs for port 7. When port 6 is merged with port 7, these signals become port 6 receive pairs for lanes 4 through 7. |

Table 2 PCI Express Interface Pins (Part 1 of 2)

| Signal | Type | Name/Description |
|------------------------------|------|--|
| PE7TP[3:0] PE7TN[3:0] | O | PCI Express Port 7 Serial Data Transmit. Differential PCI Express transmit pairs for port 7. When port 6 is merged with port 7, these signals become port 6 transmit pairs for lanes 4 through 7. |
| PE8RP[3:0] PE8RN[3:0] | I | PCI Express Port 8 Serial Data Receive. Differential PCI Express receive pairs for port 8. |
| PE8TP[3:0] PE8TN[3:0] | O | PCI Express Port 8 Serial Data Transmit. Differential PCI Express transmit pairs for port 8. |
| PE9RP[3:0] PE9RN[3:0] | I | PCI Express Port 9 Serial Data Receive. Differential PCI Express receive pairs for port 9. When port 8 is merged with port 9, these signals become port 8 receive pairs for lanes 4 through 7. |
| PE9TP[3:0] PE9TN[3:0] | O | PCI Express Port 9 Serial Data Transmit. Differential PCI Express transmit pairs for port 9. When port 8 is merged with port 9, these signals become port 8 transmit pairs for lanes 4 through 7. |
| PE10RP[3:0] PE10RN[3:0] | I | PCI Express Port 10 Serial Data Receive. Differential PCI Express receive pairs for port 10. |
| PE10TP[3:0] PE10TN[3:0] | O | PCI Express Port 10 Serial Data Transmit. Differential PCI Express transmit pairs for port 10. |
| PE11RP[3:0] PE11RN[3:0] | I | PCI Express Port 11 Serial Data Receive. Differential PCI Express receive pairs for port 11. When port 10 is merged with port 11, these signals become port 10 receive pairs for lanes 4 through 7. |
| PE11TP[3:0] PE11TN[3:0] | O | PCI Express Port 11 Serial Data Transmit. Differential PCI Express transmit pairs for port 11. When port 10 is merged with port 11, these signals become port 10 transmit pairs for lanes 4 through 7. |
| REFCLKM | I | PCI Express Reference Clock Mode Select. This signal selects the frequency of the reference clock input. 0x0 - 100 MHz 0x1 - 125 MHz |
| REFCLKP[3:0] REFCLKN[3:0] | I | PCI Express Reference Clock. Differential reference clock pair input. This clock is used as the reference clock by on-chip PLLs to generate the clocks required for the system logic and on-chip SerDes. The frequency of the differential reference clock is determined by the REFCLKM signal. |

Table 2 PCI Express Interface Pins (Part 2 of 2)

| Signal | Type | Name/Description |
|---------------|------|--|
| MSMBADDR[4:1] | I | Master SMBus Address. These pins determine the SMBus address of the serial EEPROM from which configuration information is loaded. |
| MSMBCLK | I/O | Master SMBus Clock. This bidirectional signal is used to synchronize transfers on the master SMBus. It is active and generating the clock only when the EEPROM or I/O Expanders are being accessed. |
| MSMBDAT | I/O | Master SMBus Data. This bidirectional signal is used for data on the master SMBus. |

Table 3 SMBus Interface Pins (Part 1 of 2)

| Signal | Type | Name/Description |
|-----------------|------|---|
| SSMBADDR[5,3:1] | I | Slave SMBus Address. These pins determine the SMBus address to which the slave SMBus interface responds. |
| SSMBCLK | I/O | Slave SMBus Clock. This bidirectional signal is used to synchronize transfers on the slave SMBus. |
| SSMBDAT | I/O | Slave SMBus Data. This bidirectional signal is used for data on the slave SMBus. |

Table 3 SMBus Interface Pins (Part 2 of 2)

| Signal | Type | Name/Description |
|---------|------|---|
| GPIO[0] | I/O | General Purpose I/O. This pin can be configured as a general purpose I/O pin. |
| GPIO[1] | I/O | General Purpose I/O. This pin can be configured as a general purpose I/O pin. |
| GPIO[2] | I/O | General Purpose I/O. This pin can be configured as a general purpose I/O pin. |
| GPIO[3] | I/O | General Purpose I/O. This pin can be configured as a general purpose I/O pin. |
| GPIO[4] | I/O | General Purpose I/O. This pin can be configured as a general purpose I/O pin. |
| GPIO[5] | I/O | General Purpose I/O. This pin can be configured as a general purpose I/O pin. Alternate function pin name: GPEN Alternate function pin type: Output Alternate function: General Purpose Event (GPE) output |
| GPIO[6] | I/O | General Purpose I/O. This pin can be configured as a general purpose I/O pin. Alternate function pin name: P1RSTN Alternate function pin type: Output Alternate function: Reset output for downstream port 1 |
| GPIO[7] | I/O | General Purpose I/O. This pin can be configured as a general purpose I/O pin. Alternate function pin name: P2RSTN Alternate function pin type: Output Alternate function: Reset output for downstream port 2 |
| GPIO[8] | I/O | General Purpose I/O. This pin can be configured as a general purpose I/O pin. Alternate function pin name: P3RSTN Alternate function pin type: Output Alternate function: Reset output for downstream port 3 |
| GPIO[9] | I/O | General Purpose I/O. This pin can be configured as a general purpose I/O pin. Alternate function pin name: P4RSTN Alternate function pin type: Output Alternate function: Reset output for downstream port 4 |

Table 4 General Purpose I/O Pins (Part 1 of 3)

| Signal | Type | Name/Description |
|----------|------|---|
| GPIO[10] | I/O | General Purpose I/O. This pin can be configured as a general purpose I/O pin. Alternate function pin name: P5RSTN Alternate function pin type: Output Alternate function: Reset output for downstream port 5 |
| GPIO[11] | I/O | General Purpose I/O. This pin can be configured as a general purpose I/O pin. Alternate function pin name: P6RSTN Alternate function pin type: Output Alternate function: Reset output for downstream port 6 |
| GPIO[12] | I/O | General Purpose I/O. This pin can be configured as a general purpose I/O pin. Alternate function pin name: P7RSTN Alternate function pin type: Output Alternate function: Reset output for downstream port 7 |
| GPIO[13] | I/O | General Purpose I/O. This pin can be configured as a general purpose I/O pin. Alternate function pin name: P8RSTN Alternate function pin type: Output Alternate function: Reset output for downstream port 8 |
| GPIO[14] | I/O | General Purpose I/O. This pin can be configured as a general purpose I/O pin. Alternate function pin name: P9RSTN Alternate function pin type: Output Alternate function: Reset output for downstream port 9 |
| GPIO[15] | I/O | General Purpose I/O. This pin can be configured as a general purpose I/O pin. Alternate function pin name: P10RSTN Alternate function pin type: Output Alternate function: Reset output for downstream port 10 |
| GPIO[16] | I/O | General Purpose I/O. This pin can be configured as a general purpose I/O pin. Alternate function pin name: P11RSTN Alternate function pin type: Output Alternate function: Reset output for downstream port 11 |
| GPIO[17] | I/O | General Purpose I/O. This pin can be configured as a general purpose I/O pin. |
| GPIO[18] | I/O | General Purpose I/O. This pin can be configured as a general purpose I/O pin. |
| GPIO[19] | I/O | General Purpose I/O. This pin can be configured as a general purpose I/O pin. |
| GPIO[20] | I/O | General Purpose I/O. This pin can be configured as a general purpose I/O pin. |
| GPIO[21] | I/O | General Purpose I/O. This pin can be configured as a general purpose I/O pin. Alternate function pin name: IOEXPINTN0 Alternate function pin type: Input Alternate function: SMBus I/O expander interrupt 0 |

Table 4 General Purpose I/O Pins (Part 2 of 3)

| Signal | Type | Name/Description |
|----------|------|--|
| GPIO[22] | I/O | General Purpose I/O. This pin can be configured as a general purpose I/O pin. Alternate function pin name: IOEXPINTN1 Alternate function pin type: Input Alternate function: SMBus I/O expander interrupt 1 |
| GPIO[23] | I/O | General Purpose I/O. This pin can be configured as a general purpose I/O pin. Alternate function pin name: IOEXPINTN2 Alternate function pin type: Input Alternate function: SMBus I/O expander interrupt 2 |
| GPIO[24] | I/O | General Purpose I/O. This pin can be configured as a general purpose I/O pin. Alternate function pin name: IOEXPINTN3 Alternate function pin type: Input Alternate function: SMBus I/O expander interrupt 3 |
| GPIO[25] | I/O | General Purpose I/O. This pin can be configured as a general purpose I/O pin. Alternate function pin name: IOEXPINTN4 Alternate function pin type: Input Alternate function: SMBus I/O expander interrupt 4 |
| GPIO[26] | I/O | General Purpose I/O. This pin can be configured as a general purpose I/O pin. Alternate function pin name: IOEXPINTN5 Alternate function pin type: Input Alternate function: SMBus I/O expander interrupt 5 |
| GPIO[27] | I/O | General Purpose I/O. This pin can be configured as a general purpose I/O pin. |
| GPIO[28] | I/O | General Purpose I/O. This pin can be configured as a general purpose I/O pin. |
| GPIO[29] | I/O | General Purpose I/O. This pin can be configured as a general purpose I/O pin. |
| GPIO[30] | I/O | General Purpose I/O. This pin can be configured as a general purpose I/O pin. |
| GPIO[31] | I/O | General Purpose I/O. This pin can be configured as a general purpose I/O pin. Alternate function pin name: IOEXPINTN10 Alternate function pin type: Input Alternate function: SMBus I/O expander interrupt 10 |

Table 4 General Purpose I/O Pins (Part 3 of 3)

| Signal | Type | Name/Description |
|-----------|------|--|
| CCLKDS | I | Common Clock Downstream. When the CCLKDS pin is asserted, it indicates that a common clock is being used between the downstream device and the downstream port. |
| CCLKUS | I | Common Clock Upstream. When the CCLKUS pin is asserted, it indicates that a common clock is being used between the upstream device and the upstream port. |
| MSMBSMODE | I | Master SMBus Slow Mode. The assertion of this pin indicates that the master SMBus should operate at 100 KHz instead of 400 KHz. This value may not be overridden. |

Table 5 System Pins (Part 1 of 2)

| Signal | Type | Name/Description |
|-------------|------|---|
| P01MERGEN | I | Port 0 and 1 Merge. P01MERGEN is an active low signal. It is pulled low internally via a 251K ohm resistor. When this pin is low, port 0 is merged with port 1 to form a single x8 port. The Serdes lanes associated with port 1 become lanes 4 through 7 of port 0. When this pin is high, port 0 and port 1 are not merged, and each operates as a single x4 port. |
| P23MERGEN | I | Port 2 and 3 Merge. P23MERGEN is an active low signal. It is pulled low internally via a 251K ohm resistor. When this pin is low, port 2 is merged with port 3 to form a single x8 port. The Serdes lanes associated with port 3 become lanes 4 through 7 of port 2. When this pin is high, port 2 and port 3 are not merged, and each operates as a single x4 port. |
| P45MERGEN | I | Port 4 and 5 Merge. P45MERGEN is an active low signal. It is pulled low internally via a 251K ohm resistor. When this pin is low, port 4 is merged with port 5 to form a single x8 port. The Serdes lanes associated with port 5 become lanes 4 through 7 of port 4. When this pin is high, port 4 and port 5 are not merged, and each operates as a single x4 port. |
| P67MERGEN | I | Port 6 and 7 Merge. P67MERGEN is an active low signal. It is pulled low internally via a 251K ohm resistor. When this pin is low, port 6 is merged with port 7 to form a single x8 port. The Serdes lanes associated with port 7 become lanes 4 through 7 of port 6. When this pin is high, port 6 and port 7 are not merged, and each operates as a single x4 port. |
| P89MERGEN | I | Port 8 and 9 Merge. P89MERGEN is an active low signal. It is pulled low internally via a 251K ohm resistor. When this pin is low, port 8 is merged with port 9 to form a single x8 port. The Serdes lanes associated with port 9 become lanes 4 through 7 of port 8. When this pin is high, port 8 and port 9 are not merged, and each operates as a single x4 port. |
| P1011MERGEN | I | Port 10 and 11 Merge. P67MERGEN is an active low signal. It is pulled low internally via a 251K ohm resistor. When this pin is low, port 10 is merged with port 11 to form a single x8 port. The Serdes lanes associated with port 11 become lanes 4 through 7 of port 10. When this pin is high, port 10 and port 11 are not merged, and each operates as a single x4 port. |
| PERSTN | I | Fundamental Reset. Assertion of this signal resets all logic inside PES48H12 and initiates a PCI Express fundamental reset. |
| RSTHALT | I | Reset Halt. When this signal is asserted during a PCI Express fundamental reset, PES48H12 executes the reset procedure and remains in a reset state with the Master and Slave SMBuses active. This allows software to read and write registers internal to the device before normal device operation begins. The device exits the reset state when the RSTHALT bit is cleared in the PA_SWCTL register by an SMBus master. |
| SWMODE[3:0] | I | Switch Mode. These configuration pins determine the PES48H12 switch operating mode. These pins should be static and not change following the negation of PERSTN. 0x0 - Normal switch mode 0x1 - Normal switch mode with Serial EEPROM initialization 0x2 through 0x7 - Reserved 0x8 - Normal switch mode with upstream port failover (port 0 selected as the upstream port) 0x9 - Normal switch mode with upstream port failover (port 2 selected as the upstream port) 0xA - Normal switch mode with Serial EEPROM initialization and upstream port failover (port 0 selected as the upstream port) 0xB - Normal switch mode with Serial EEPROM initialization and upstream port failover (port 2 selected as the upstream port) 0xC through 0xF - Reserved |

Table 5 System Pins (Part 2 of 2)

| Signal | Type | Name/Description |
|-------------|------|--|
| JTAG_TCK | I | JTAG Clock. This is an input test clock used to clock the shifting of data into or out of the boundary scan logic or JTAG Controller. JTAG_TCK is independent of the system clock with a nominal 50% duty cycle. |
| JTAG_TDI | I | JTAG Data Input. This is the serial data input to the boundary scan logic or JTAG Controller. |
| JTAG_TDO | O | JTAG Data Output. This is the serial data shifted out from the boundary scan logic or JTAG Controller. When no data is being shifted out, this signal is tri-stated. |
| JTAG_TMS | I | JTAG Mode. The value on this signal controls the test mode select of the boundary scan logic or JTAG Controller. |
| JTAG_TRST_N | I | JTAG Reset. This active low signal asynchronously resets the boundary scan logic and JTAG TAP Controller. An external pull-up on the board is recommended to meet the JTAG specification in cases where the tester can access this signal. However, for systems running in functional mode, one of the following should occur: 1) actively drive this signal low with control logic 2) statically drive this signal low with an external pull-down on the board |

Table 6 Test Pins

| Signal | Type | Name/Description |
|----------------------|------|--|
| V _{DD} CORE | I | Core VDD. Power supply for core logic. |
| V _{DD} IO | I | I/O VDD. LVTTTL I/O buffer power supply. |
| V _{DD} PE | I | PCI Express Digital Power. PCI Express digital power used by the digital power of the SerDes. |
| V _{DD} APE | I | PCI Express Analog Power. PCI Express analog power used by the PLL and bias generator. |
| V _{SS} | I | Ground. |
| V _{TT} PE | I | PCI Express Serial Data Transmit Termination Voltage. This pin allows the driver termination voltage to be set, enabling the system designer to control the Common Mode Voltage and output voltage swing of the corresponding PCI Serial Data Transmit differential pair. |

Table 7 Power and Ground Pins

Pin Characteristics

Note: Some input pads of the PES48H12 do not contain internal pull-ups or pull-downs. Unused inputs should be tied off to appropriate levels. This is especially critical for unused control signal inputs which, if left floating, could adversely affect operation. Also, any input pin left floating can cause a slight increase in power consumption.

| Function | Pin Name | Type | Buffer | I/O Type | Internal Resistor | Notes |
|-----------------------|------------|------|--------|-------------|-------------------|-------|
| PCI Express Interface | PE0RN[3:0] | I | CML | Serial Link | | |
| | PE0RP[3:0] | I | | | | |
| | PE0TN[3:0] | O | | | | |
| | PE0TP[3:0] | O | | | | |
| | PE1RN[3:0] | I | | | | |
| | PE1RP[3:0] | I | | | | |
| | PE1TN[3:0] | O | | | | |
| | PE1TP[3:0] | O | | | | |
| | PE2RN[3:0] | I | | | | |
| | PE2RP[3:0] | I | | | | |
| | PE2TN[3:0] | O | | | | |
| | PE2TP[3:0] | O | | | | |
| | PE3RN[3:0] | I | | | | |
| | PE3RP[3:0] | I | | | | |
| | PE3TN[3:0] | O | | | | |
| | PE3TP[3:0] | O | | | | |
| | PE4RN[3:0] | I | | | | |
| | PE4RP[3:0] | I | | | | |
| | PE4TN[3:0] | O | | | | |
| | PE4TP[3:0] | O | | | | |
| | PE5RN[3:0] | I | | | | |
| | PE5RP[3:0] | I | | | | |
| | PE5TN[3:0] | O | | | | |
| | PE5TP[3:0] | O | | | | |
| | PE6RN[3:0] | I | | | | |
| | PE6RP[3:0] | I | | | | |
| | PE6TN[3:0] | O | | | | |
| | PE6TP[3:0] | O | | | | |
| PE7RN[3:0] | I | | | | | |
| PE7RP[3:0] | I | | | | | |
| PE7TN[3:0] | O | | | | | |
| PE7TP[3:0] | O | | | | | |

Table 8 Pin Characteristics (Part 1 of 3)

| Function | Pin Name | Type | Buffer | I/O Type | Internal Resistor | Notes |
|-------------------------------|-----------------|------|--------|------------------|-------------------|----------------------|
| PCI Express Interface (cont.) | PE8RN[3:0] | I | CML | Serial Link | | |
| | PE8RP[3:0] | I | | | | |
| | PE8TN[3:0] | O | | | | |
| | PE8TP[3:0] | O | | | | |
| | PE9RN[3:0] | I | | | | |
| | PE9RP[3:0] | I | | | | |
| | PE9TN[3:0] | O | | | | |
| | PE9TP[3:0] | O | | | | |
| | PE10RN[3:0] | I | | | | |
| | PE10RP[3:0] | I | | | | |
| | PE10TN[3:0] | O | | | | |
| | PE10TP[3:0] | O | | | | |
| | PE11RN[3:0] | I | | | | |
| | PE11RP[3:0] | I | | | | |
| | PE11TN[3:0] | O | | | | |
| | PE11TP[3:0] | O | | | | |
| | PEREFCKN[3:0] | I | | | LVPECL/ CML | Diff. Clock Input |
| | PEREFCKP[3:0] | I | | | | |
| | REFCLKM | I | LVTTTL | Input | pull-down | |
| SMBus Interface | MSMBADDR[4:1] | I | LVTTTL | STI ¹ | pull-up | |
| | MSMBCLK | I/O | | STI | | |
| | MSMBDAT | I/O | | STI | | |
| | SSMBADDR[5,3:1] | I | | | pull-up | |
| | SSMBCLK | I/O | | STI | | |
| | SSMBDAT | I/O | | STI | | |
| General Purpose I/O | GPIO[31:0] | I/O | LVTTTL | | pull-up | |
| System Pins | CCLKDS | I | LVTTTL | Input | pull-up | |
| | CCLKUS | I | | | pull-up | |
| | MSMBSMODE | I | | | pull-down | |
| | P01MERGEN | I | | | pull-down | |
| | P23MERGEN | I | | | pull-down | |
| | P45MERGEN | I | | | pull-down | |
| | P67MERGEN | I | | | pull-down | |
| | P89MERGEN | I | | | pull-down | |
| | P1011MERGEN | I | | | pull-down | |
| | PERSTN | I | | | | |
| | RSTHALT | I | | | pull-down | |
| | SWMODE[3:0] | I | | | pull-down | |

Table 8 Pin Characteristics (Part 2 of 3)

| Function | Pin Name | Type | Buffer | I/O Type | Internal Resistor | Notes |
|--------------|-------------|------|--------|----------|-------------------|--------------------|
| EJTAG / JTAG | JTAG_TCK | I | LVTTTL | STI | pull-up | |
| | JTAG_TDI | I | | STI | pull-up | |
| | JTAG_TDO | O | | | | |
| | JTAG_TMS | I | | STI | pull-up | |
| | JTAG_TRST_N | I | | STI | pull-up | External pull-down |

Table 8 Pin Characteristics (Part 3 of 3)

¹ Schmitt Trigger Input (STI).

Logic Diagram — PES48H12

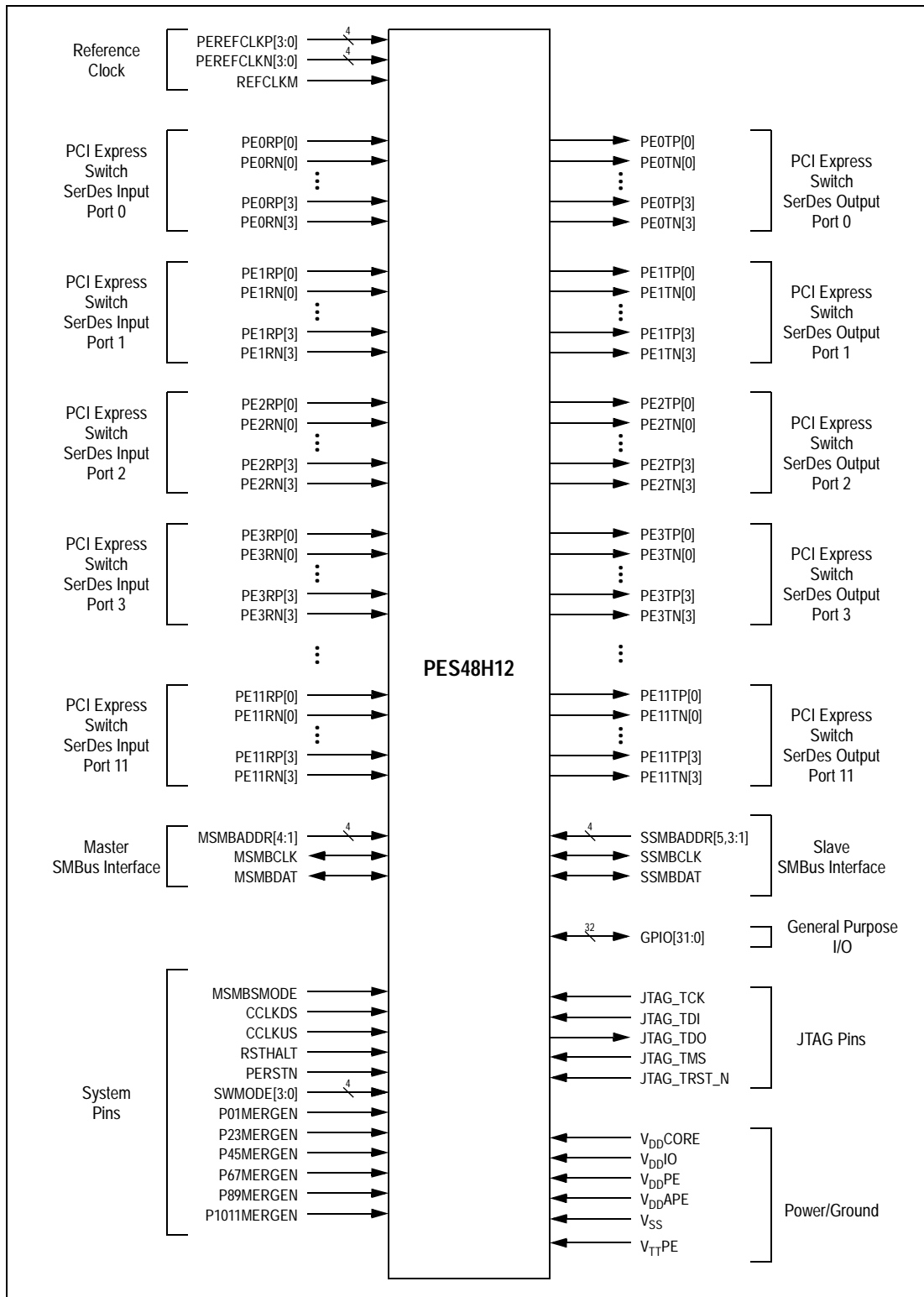


Figure 4 PES48H12 Logic Diagram

System Clock Parameters

Values based on systems running at recommended supply voltages and operating temperatures, as shown in Tables 13 and 15.

| Parameter | Description | Min | Typical | Max | Unit |
|-----------------------------------|---|-----|---------|------------------|-------------------|
| PEREFCLK | | | | | |
| Refclk _{FREQ} | Input reference clock frequency range | 100 | | 125 ¹ | MHz |
| Refclk _{DC} ² | Duty cycle of input clock | 40 | 50 | 60 | % |
| T _R , T _F | Rise/Fall time of input clocks | | | 0.2*RCUI | RCUI ³ |
| V _{SW} | Differential input voltage swing ⁴ | 0.6 | | 1.6 | V |
| T _{jitter} | Input clock jitter (cycle-to-cycle) | | | 125 | ps |
| R _T | Termination Resistor | | 110 | | Ohms |

Table 9 Input Clock Requirements

¹ The input clock frequency will be either 100 or 125 MHz depending on signal REFCLKM.

² ClkIn must be AC coupled. Use 0.01 — 0.1 μ F ceramic capacitors.

³ RCUI (Reference Clock Unit Interval) refers to the reference clock period.

⁴ AC coupling required.

AC Timing Characteristics

| Parameter | Description | Min ¹ | Typical ¹ | Max ¹ | Units |
|---|--|------------------|----------------------|------------------|-------|
| PCIe Transmit | | | | | |
| UI | Unit Interval | 399.88 | 400 | 400.12 | ps |
| T _{TX-EYE} | Minimum Tx Eye Width | 0.7 | .9 | | UI |
| T _{TX-EYE-MEDIAN-to-MAX-JITTER} | Maximum time between the jitter median and maximum deviation from the median | | | 0.15 | UI |
| T _{TX-RISE} , T _{TX-FALL} | D+ / D- Tx output rise/fall time | 50 | 90 | | ps |
| T _{TX-IDLE-MIN} | Minimum time in idle | 50 | | | UI |
| T _{TX-IDLE-SET-TO-IDLE} | Maximum time to transition to a valid Idle after sending an Idle ordered set | | | 20 | UI |
| T _{TX-IDLE-TO-DIFF-DATA} | Maximum time to transition from valid idle to diff data | | | 20 | UI |
| T _{TX-SKEW} | Transmitter data skew between any 2 lanes | | 500 | 1300 | ps |
| PCIe Receive | | | | | |
| UI | Unit Interval | 399.88 | 400 | 400.12 | ps |
| T _{RX-EYE (with jitter)} | Minimum Receiver Eye Width (jitter tolerance) | 0.4 | | | UI |
| T _{RX-EYE-MEDIUM TO MAX JITTER} | Max time between jitter median & max deviation | | | 0.3 | UI |
| T _{RX-IDLE-DET-DIFF-ENTER TIME} | Unexpected Idle Enter Detect Threshold Integration Time | | | 10 | ms |
| T _{RX-SKEW} | Lane to lane input skew | | | 20 | ns |

Table 10 PCIe AC Timing Characteristics

¹ Minimum, Typical, and Maximum values meet the requirements under PCI Specification 1.1

| Signal | Symbol | Reference Edge | Min | Max | Unit | Timing Diagram Reference |
|-------------------------|----------------------|----------------|-----|-----|------|--------------------------|
| GPIO | | | | | | |
| GPIO[31:0] ¹ | Tpw_13b ² | None | 50 | — | ns | See Figure 5. |

Table 11 GPIO AC Timing Characteristics

¹ GPIO signals must meet the setup and hold times if they are synchronous or the minimum pulse width if they are asynchronous.

² The values for this symbol were determined by calculation, not by testing.

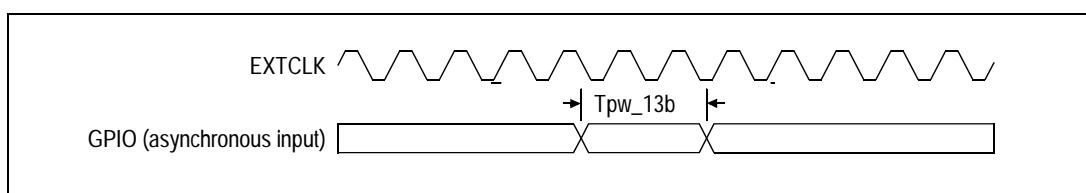


Figure 5 GPIO AC Timing Waveform

| Signal | Symbol | Reference Edge | Min | Max | Unit | Timing Diagram Reference |
|----------------------------------|----------------------|------------------|------|------|------|--------------------------|
| JTAG | | | | | | |
| JTAG_TCK | Tper_16a | none | 50.0 | — | ns | See Figure 6. |
| | Thigh_16a, Tlow_16a | | 10.0 | 25.0 | ns | |
| JTAG_TMS ¹ , JTAG_TDI | Tsu_16b | JTAG_TCK rising | 2.4 | — | ns | |
| | Thld_16b | | 1.0 | — | ns | |
| JTAG_TDO | Tdo_16c | JTAG_TCK falling | — | 20 | ns | |
| | Tdz_16c ² | | — | 20 | ns | |
| JTAG_TRST_N | Tpw_16d ² | none | 25.0 | — | ns | |

Table 12 JTAG AC Timing Characteristics

¹ The JTAG specification, IEEE 1149.1, recommends that JTAG_TMS should be held at 1 while the signal applied at JTAG_TRST_N changes from 0 to 1. Otherwise, a race may occur if JTAG_TRST_N is deasserted (going from low to high) on a rising edge of JTAG_TCK when JTAG_TMS is low, because the TAP controller might go to either the Run-Test/Idle state or stay in the Test-Logic-Reset state.

² The values for this symbol were determined by calculation, not by testing.

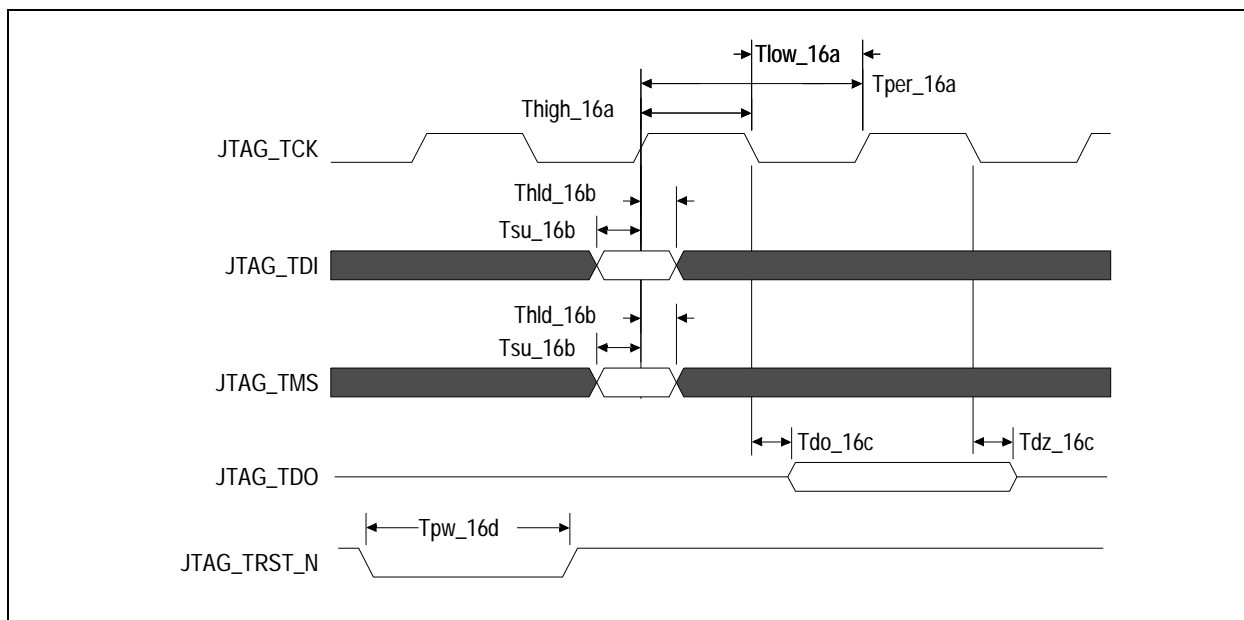


Figure 6 JTAG AC Timing Waveform

Recommended Operating Supply Voltages

| Symbol | Parameter | Minimum | Typical | Maximum | Unit |
|---------------------|--|---------|---------|---------|------|
| V _{DDCORE} | Internal logic supply | 0.9 | 1.0 | 1.1 | V |
| V _{DDI/O} | I/O supply except for SerDes LVPECL/CML | 3.0 | 3.3 | 3.6 | V |
| V _{DDPE} | PCI Express Digital Power | 0.9 | 1.0 | 1.1 | V |
| V _{DDAPE} | PCI Express Analog Power | 0.9 | 1.0 | 1.1 | V |
| V _{TTPE} | PCI Express Serial Data Transmit Termination Voltage | 1.425 | 1.5 | 1.575 | V |
| V _{SS} | Common ground | 0 | 0 | 0 | V |

Table 13 PES48H12 Operating Voltages

Absolute Maximum Voltage Rating

| V _{DDCore} | V _{DDPE} | V _{DDAPE} | V _{TTPE} | V _{DDI/O} |
|---------------------|-------------------|--------------------|-------------------|--------------------|
| 1.5V | 1.5V | 1.5V | 2.5V | 5.0V |

Table 14 PES48H12 Absolute Maximum Voltage Rating

Warning: For proper and reliable operation in adherence with this data sheet, the device should not exceed the recommended operating voltages in Table 13. The absolute maximum operating voltages in Table 14 are offered to provide guidelines for voltage excursions outside the recommended voltage ranges. Device functionality is not guaranteed at these conditions and sustained operation at these values or any exposure to voltages outside the maximum range may adversely affect device functionality and reliability.

Power-Up Sequence

This section describes the sequence in which various voltages must be applied to the part during power-up to ensure proper functionality. For the PES48H12, the power-up sequence must be as follows:

1. $V_{DD}I/O$ — 3.3V
2. $V_{DD}Core$, $V_{DD}PE$, $V_{DD}APE$ — 1.0V
3. V_{TTPE} — 1.5V

When powering up, each voltage level must ramp and stabilize prior to applying the next voltage in the sequence to ensure internal latch-up issues are avoided. There are no maximum time limitations in ramping to valid power levels. The power-down sequence must be in the reverse order of the power-up sequence.

Recommended Operating Temperature

| Grade | Temperature |
|------------|------------------------|
| Commercial | 0°C to +70°C Ambient |
| Industrial | -40°C to +85°C Ambient |

Table 15 PES48H12 Operating Temperatures

Power Consumption

Typical power is measured under the following conditions: 25°C Ambient, 35% total link usage on all ports, typical voltages defined in Table 13 (and also listed below).

Maximum power is measured under the following conditions: 70°C Ambient, 85% total link usage on all ports, maximum voltages defined in Table 13 (and also listed below).

| Number of active Lanes per Port | | Core Supply | | PCIe Digital Supply | | PCIe Analog Supply | | PCIe Termination Supply | | I/O Supply | | Total | |
|---------------------------------|--------------|-------------|----------|---------------------|----------|--------------------|----------|-------------------------|------------|------------|----------|-----------|-----------|
| | | Typ 1.0V | Max 1.1V | Typ 1.0V | Max 1.1V | Typ 1.0V | Max 1.1V | Typ 1.5V | Max 1.575V | Typ 3.3V | Max 3.6V | Typ Power | Max Power |
| 8/8/8/8/8/8 | mA | 2254 | 2774 | 2268 | 2797 | 966 | 1186 | 1133 | 1397 | 4 | 4 | | |
| | Watts | 2.26 | 3.05 | 2.27 | 3.08 | 0.97 | 1.31 | 1.7 | 2.2 | 0.01 | 0.01 | 7.21W | 9.65W |

Table 16 PES48H12 Power Consumption

Thermal Considerations

This section describes thermal considerations for the PES48H12 (35mm² FCBGA1156 package). The data in Table 17 below contains information that is relevant to the thermal performance of the PES48H12 switch.

| Symbol | Parameter | Value | Units | Conditions |
|--------------------------|---|-------|-------|---------------------------------------|
| $T_{J(max)}$ | Junction Temperature | 125 | °C | Maximum |
| $T_{A(max)}$ | Ambient Temperature | 70 | °C | Maximum for commercial-rated products |
| $\theta_{JA(effective)}$ | Effective Thermal Resistance, Junction-to-Ambient | 12.6 | °C/W | Zero air flow |
| | | 6.4 | °C/W | 1 m/S air flow |
| | | 5.4 | °C/W | 2 m/S air flow |
| θ_{JB} | Thermal Resistance, Junction-to-Board | 2.1 | °C/W | |
| θ_{JC} | Thermal Resistance, Junction-to-Case | 0.1 | °C/W | |
| P | Power Dissipation of the Device | 6.82 | Watts | Maximum |

Table 17 Thermal Specifications for PES48H12, 35x35mm FCBGA1156 Package

Note: It is important for the reliability of this device in any user environment that the junction temperature not exceed the $T_{J(max)}$ value specified in Table 17. Consequently, the effective junction to ambient thermal resistance (θ_{JA}) for the worst case scenario must be maintained below the value determined by the formula:

$$\theta_{JA} = (T_{J(max)} - T_{A(max)})/P$$

Given that the values of $T_{J(max)}$, $T_{A(max)}$, and P are known, the value of desired θ_{JA} becomes a known entity to the system designer. How to achieve the desired θ_{JA} is left up to the board or system designer, but in general, it can be achieved by adding the effects of θ_{JC} (value provided in Table 17), thermal resistance of the chosen adhesive (θ_{CS}), that of the heat sink (θ_{SA}), amount of airflow, and properties of the circuit board (number of layers and size of the board). As a general guideline, this device will not need a heat sink if the board has 10 or more layers AND the board size is larger than 4"x12" AND airflow in excess of 1 m/s is available. It is strongly recommended that users perform their own thermal analysis for their own board and system design scenarios.

DC Electrical Characteristics

Values based on systems running at recommended supply voltages, as shown in Table 13.

Note: See Table 8, Pin Characteristics, for a complete I/O listing.

| I/O Type | Parameter | Description | Min ¹ | Typ ¹ | Max ¹ | Unit | Conditions |
|----------------------------------|---|---|------------------|------------------|------------------|------|------------|
| Serial Link | PCIe Transmit | | | | | | |
| | V _{TX-DIFFp-p} | Differential peak-to-peak output voltage | 800 | | 1200 | mV | |
| | V _{TX-DE-RATIO} | De-emphasized differential output voltage | -3 | | -4 | dB | |
| | V _{TX-DC-CM} | DC Common mode voltage | -0.1 | 1 | 3.7 | V | |
| | V _{TX-CM-ACP} | RMS AC peak common mode output voltage | | | 20 | mV | |
| | V _{TX-CM-DC-active-idle-delta} | Abs delta of DC common mode voltage between L0 and idle | | | 100 | mV | |
| | V _{TX-CM-DC-line-delta} | Abs delta of DC common mode voltage between D+ and D- | | | 25 | mV | |
| | V _{TX-Idle-DiffP} | Electrical idle diff peak output | | | 20 | mV | |
| | V _{TX-RCV-Detect} | Voltage change during receiver detection | | | 600 | mV | |
| | RL _{TX-DIFF} | Transmitter Differential Return loss | 12 | | | dB | |
| | RL _{TX-CM} | Transmitter Common Mode Return loss | 6 | | | dB | |
| | Z _{TX-DEFF-DC} | DC Differential TX impedance | 80 | 100 | 120 | Ω | |
| | Z _{OSE} | Single ended TX Impedance | 40 | 50 | 60 | Ω | |
| | Transmitter Eye Diagram | TX Eye Height (De-emphasized bits) | 505 | 650 | | mV | |
| | Transmitter Eye Diagram | TX Eye Height (Transition bits) | 800 | 950 | | mV | |
| | PCIe Receive | | | | | | |
| | V _{RX-DIFFp-p} | Differential input voltage (peak-to-peak) | 175 | | 1200 | mV | |
| | V _{RX-CM-AC} | Receiver common-mode voltage for AC coupling | | | 150 | mV | |
| | RL _{RX-DIFF} | Receiver Differential Return Loss | 15 | | | dB | |
| | RL _{RX-CM} | Receiver Common Mode Return Loss | 6 | | | dB | |
| Z _{RX-DIFF-DC} | Differential input impedance (DC) | 80 | 100 | 120 | Ω | | |
| Z _{RX-COMM-DC} | Single-ended input impedance | 40 | 50 | 60 | Ω | | |
| Z _{RX-COMM-HIGH-Z-DC} | Powered down input common mode impedance (DC) | 200k | 350k | | Ω | | |
| V _{RX-IDLE-DET-DIFFp-p} | Electrical idle detect threshold | 65 | | 175 | mV | | |
| PCIe REFCLK | | | | | | | |
| | C _{IN} | Input Capacitance | 1.5 | — | | pF | |

Table 18 DC Electrical Characteristics (Part 1 of 2)

| I/O Type | Parameter | Description | Min ¹ | Typ ¹ | Max ¹ | Unit | Conditions |
|-----------------------------|---|-------------|------------------|------------------|-------------------------|------|-------------------------|
| Other I/Os | | | | | | | |
| LOW Drive Output | I _{OL} | | — | 2.5 | — | mA | V _{OL} = 0.4v |
| | I _{OH} | | — | -5.5 | — | mA | V _{OH} = 1.5V |
| High Drive Output | I _{OL} | | — | 12.0 | — | mA | V _{OL} = 0.4v |
| | I _{OH} | | — | -20.0 | — | mA | V _{OH} = 1.5V |
| Schmitt Trigger Input (STI) | V _{IL} | | -0.3 | — | 0.8 | V | — |
| | V _{IH} | | 2.0 | — | V _{DDIO} + 0.5 | V | — |
| Input | V _{IL} | | -0.3 | — | 0.8 | V | — |
| | V _{IH} | | 2.0 | — | V _{DDIO} + 0.5 | V | — |
| Capacitance | C _{IN} | | — | — | 8.5 | pF | — |
| Leakage | Inputs | | — | — | ± 10 | μA | V _{DDIO} (max) |
| | I/O _{LEAK} w/o Pull-ups/downs | | — | — | ± 10 | μA | V _{DDIO} (max) |
| | I/O _{LEAK} WITH Pull-ups/downs | | — | — | ± 80 | μA | V _{DDIO} (max) |

Table 18 DC Electrical Characteristics (Part 2 of 2)

¹: Minimum, Typical, and Maximum values meet the requirements under PCI Specification 1.0a.

Package Pinout — 1156-BGA Signal Pinout for PES48H12

The following table lists the pin numbers and signal names for the PES48H12 device.

| Pin | Function | Alt | Pin | Function | Alt | Pin | Function | Alt | Pin | Function | Alt |
|-----|---------------------|-----|-----|---------------------|-----|-----|-----------------|-----|-----|---------------------|-----|
| A1 | V _{SS} | | B1 | V _{SS} | | C1 | GPIO_29 | | D1 | GPIO_28 | |
| A2 | V _{SS} | | B2 | V _{DD} I/O | | C2 | GPIO_27 | | D2 | GPIO_26 | 1 |
| A3 | GPIO_19 | | B3 | GPIO_18 | | C3 | GPIO_21 | 1 | D3 | V _{DD} I/O | |
| A4 | V _{DD} I/O | | B4 | GPIO_17 | | C4 | GPIO_16 | 1 | D4 | GPIO_23 | 1 |
| A5 | V _{SS} | | B5 | V _{SS} | | C5 | V _{SS} | | D5 | V _{SS} | |
| A6 | PE9TP03 | | B6 | PE9TN03 | | C6 | V _{SS} | | D6 | PE9RP03 | |
| A7 | PE9TP02 | | B7 | PE9TN02 | | C7 | V _{SS} | | D7 | PE9RP02 | |
| A8 | V _{SS} | | B8 | V _{SS} | | C8 | V _{SS} | | D8 | V _{SS} | |
| A9 | PE9TP01 | | B9 | PE9TN01 | | C9 | V _{SS} | | D9 | PE9RP01 | |
| A10 | PE9TP00 | | B10 | PE9TN00 | | C10 | V _{SS} | | D10 | PE9RP00 | |
| A11 | V _{SS} | | B11 | V _{SS} | | C11 | V _{SS} | | D11 | V _{SS} | |
| A12 | PE8TP03 | | B12 | PE8TN03 | | C12 | V _{SS} | | D12 | PE8RP03 | |
| A13 | PE8TP02 | | B13 | PE8TN02 | | C13 | V _{SS} | | D13 | PE8RP02 | |
| A14 | V _{SS} | | B14 | V _{SS} | | C14 | V _{SS} | | D14 | V _{SS} | |
| A15 | PE8TP01 | | B15 | PE8TN01 | | C15 | V _{SS} | | D15 | PE8RP01 | |
| A16 | PE8TP00 | | B16 | PE8TN00 | | C16 | V _{SS} | | D16 | PE8RP00 | |
| A17 | V _{SS} | | B17 | V _{SS} | | C17 | V _{SS} | | D17 | V _{SS} | |
| A18 | PE3TP03 | | B18 | PE3TN03 | | C18 | V _{SS} | | D18 | PE3RP03 | |
| A19 | PE3TP02 | | B19 | PE3TN02 | | C19 | V _{SS} | | D19 | PE3RP02 | |
| A20 | V _{SS} | | B20 | V _{SS} | | C20 | V _{SS} | | D20 | V _{SS} | |
| A21 | PE3TP01 | | B21 | PE3TN01 | | C21 | V _{SS} | | D21 | PE3RP01 | |
| A22 | PE3TP00 | | B22 | PE3TN00 | | C22 | V _{SS} | | D22 | PE3RP00 | |
| A23 | V _{SS} | | B23 | V _{SS} | | C23 | V _{SS} | | D23 | V _{SS} | |
| A24 | PE2TP03 | | B24 | PE2TN03 | | C24 | V _{SS} | | D24 | PE2RP03 | |
| A25 | PE2TP02 | | B25 | PE2TN02 | | C25 | V _{SS} | | D25 | PE2RP02 | |
| A26 | V _{SS} | | B26 | V _{SS} | | C26 | V _{SS} | | D26 | V _{SS} | |
| A27 | PE2TP01 | | B27 | PE2TN01 | | C27 | V _{SS} | | D27 | PE2RP01 | |
| A28 | PE2TP00 | | B28 | PE2TN00 | | C28 | V _{SS} | | D28 | PE2RP00 | |
| A29 | V _{SS} | | B29 | V _{SS} | | C29 | V _{SS} | | D29 | V _{SS} | |
| A30 | V _{DD} I/O | | B30 | MSMBADDR_3 | | C30 | MSMBADDR_4 | | D30 | JTAG_TMS | |
| A31 | MSMBADDR_1 | | B31 | MSMBADDR_2 | | C31 | JTAG_TDI | | D31 | V _{DD} I/O | |
| A32 | MSMBSMODE | | B32 | PERSTN | | C32 | JTAG_TRST_N | | D32 | SSMBADDR_5 | |
| A33 | V _{SS} | | B33 | V _{DD} I/O | | C33 | SSMBADDR_2 | | D33 | SSMBADDR_3 | |
| A34 | V _{SS} | | B34 | V _{SS} | | C34 | SSMBADDR_1 | | D34 | V _{DD} I/O | |

Table 19 PES48H12 1156-pin Signal Pin-Out (Part 1 of 9)

| Pin | Function | Alt | Pin | Function | Alt | Pin | Function | Alt | Pin | Function | Alt |
|-----|---------------------|-----|-----|-----------------|-----|-----|-----------------|-----|-----|---------------------|-----|
| E1 | V _{DD} I/O | | F1 | V _{SS} | | G1 | PE10TP00 | | H1 | PE10TP01 | |
| E2 | GPIO_30 | | F2 | V _{SS} | | G2 | PE10TN00 | | H2 | PE10TN01 | |
| E3 | GPIO_31 | 1 | F3 | V _{SS} | | G3 | V _{SS} | | H3 | V _{SS} | |
| E4 | GPIO_24 | 1 | F4 | V _{SS} | | G4 | PE10RP00 | | H4 | PE10RP01 | |
| E5 | V _{SS} | | F5 | V _{SS} | | G5 | PE10RN00 | | H5 | PE10RN01 | |
| E6 | PE9RN03 | | F6 | V _{SS} | | G6 | V _{SS} | | H6 | V _{SS} | |
| E7 | PE9RN02 | | F7 | V _{SS} | | G7 | V _{SS} | | H7 | V _{SS} | |
| E8 | V _{SS} | | F8 | V _{SS} | | G8 | V _{SS} | | H8 | GPIO_20 | |
| E9 | PE9RN01 | | F9 | V _{SS} | | G9 | V _{SS} | | H9 | V _{DD} I/O | |
| E10 | PE9RN00 | | F10 | V _{SS} | | G10 | V _{SS} | | H10 | V _{SS} | |
| E11 | V _{SS} | | F11 | V _{SS} | | G11 | V _{SS} | | H11 | V _{SS} | |
| E12 | PE8RN03 | | F12 | V _{SS} | | G12 | V _{SS} | | H12 | V _{SS} | |
| E13 | PE8RN02 | | F13 | V _{SS} | | G13 | V _{SS} | | H13 | V _{TT} PE | |
| E14 | V _{SS} | | F14 | V _{SS} | | G14 | V _{SS} | | H14 | V _{SS} | |
| E15 | PE8RN01 | | F15 | V _{SS} | | G15 | V _{SS} | | H15 | V _{DD} APE | |
| E16 | PE8RN00 | | F16 | V _{SS} | | G16 | V _{SS} | | H16 | V _{SS} | |
| E17 | V _{SS} | | F17 | V _{SS} | | G17 | PEREFCLKP1 | | H17 | V _{SS} | |
| E18 | PE3RN03 | | F18 | V _{SS} | | G18 | PEREFCLKN1 | | H18 | V _{SS} | |
| E19 | PE3RN02 | | F19 | V _{SS} | | G19 | V _{SS} | | H19 | V _{SS} | |
| E20 | V _{SS} | | F20 | V _{SS} | | G20 | V _{SS} | | H20 | V _{DD} APE | |
| E21 | PE3RN01 | | F21 | V _{SS} | | G21 | V _{SS} | | H21 | V _{SS} | |
| E22 | PE3RN00 | | F22 | V _{SS} | | G22 | V _{SS} | | H22 | V _{TT} PE | |
| E23 | V _{SS} | | F23 | V _{SS} | | G23 | V _{SS} | | H23 | V _{SS} | |
| E24 | PE2RN03 | | F24 | V _{SS} | | G24 | V _{SS} | | H24 | V _{SS} | |
| E25 | PE2RN02 | | F25 | V _{SS} | | G25 | V _{SS} | | H25 | V _{SS} | |
| E26 | V _{SS} | | F26 | V _{SS} | | G26 | V _{SS} | | H26 | MSMBDAT | |
| E27 | PE2RN01 | | F27 | V _{SS} | | G27 | MSMBCLK | | H27 | V _{DD} I/O | |
| E28 | PE2RN00 | | F28 | V _{SS} | | G28 | V _{SS} | | H28 | SSMBCLK | |
| E29 | V _{SS} | | F29 | V _{SS} | | G29 | V _{SS} | | H29 | V _{SS} | |
| E30 | V _{SS} | | F30 | PE1RN03 | | G30 | PE1RN02 | | H30 | V _{SS} | |
| E31 | V _{SS} | | F31 | PE1RP03 | | G31 | PE1RP02 | | H31 | V _{SS} | |
| E32 | V _{SS} | | F32 | V _{SS} | | G32 | V _{SS} | | H32 | V _{SS} | |
| E33 | V _{SS} | | F33 | PE1TN03 | | G33 | PE1TN02 | | H33 | V _{SS} | |
| E34 | V _{SS} | | F34 | PE1TP03 | | G34 | PE1TP02 | | H34 | V _{SS} | |

Table 19 PES48H12 1156-pin Signal Pin-Out (Part 2 of 9)

| Pin | Function | Alt | Pin | Function | Alt | Pin | Function | Alt | Pin | Function | Alt |
|-----|--------------------|-----|-----|---------------------|-----|-----|--------------------|-----|-----|--------------------|-----|
| J1 | V _{SS} | | K1 | PE10TP02 | | L1 | PE10TP03 | | M1 | V _{SS} | |
| J2 | V _{SS} | | K2 | PE10TN02 | | L2 | PE10TN03 | | M2 | V _{SS} | |
| J3 | V _{SS} | | K3 | V _{SS} | | L3 | V _{SS} | | M3 | V _{SS} | |
| J4 | V _{SS} | | K4 | PE10RP02 | | L4 | PE10RP03 | | M4 | V _{SS} | |
| J5 | V _{SS} | | K5 | PE10RN02 | | L5 | PE10RN03 | | M5 | V _{SS} | |
| J6 | V _{SS} | | K6 | V _{SS} | | L6 | V _{SS} | | M6 | V _{SS} | |
| J7 | V _{SS} | | K7 | V _{SS} | | L7 | V _{SS} | | M7 | V _{SS} | |
| J8 | V _{SS} | | K8 | V _{SS} | | L8 | V _{SS} | | M8 | V _{SS} | |
| J9 | GPIO_25 | 1 | K9 | VDDIO | | L9 | V _{SS} | | M9 | V _{SS} | |
| J10 | V _{SS} | | K10 | GPIO_22 | 1 | L10 | V _{SS} | | M10 | V _{SS} | |
| J11 | V _{SS} | | K11 | V _{SS} | | L11 | V _{SS} | | M11 | V _{SS} | |
| J12 | V _{SS} | | K12 | V _{SS} | | L12 | V _{SS} | | M12 | V _{SS} | |
| J13 | V _{SS} | | K13 | V _{TT} PE | | L13 | V _{DD} PE | | M13 | V _{DD} PE | |
| J14 | V _{DD} PE | | K14 | V _{SS} | | L14 | V _{DD} PE | | M14 | V _{SS} | |
| J15 | V _{SS} | | K15 | V _{DD} APE | | L15 | V _{DD} PE | | M15 | V _{DD} PE | |
| J16 | V _{SS} | | K16 | V _{SS} | | L16 | V _{SS} | | M16 | V _{SS} | |
| J17 | V _{TT} PE | | K17 | V _{TT} PE | | L17 | V _{DD} PE | | M17 | V _{DD} PE | |
| J18 | V _{TT} PE | | K18 | V _{TT} PE | | L18 | V _{DD} PE | | M18 | V _{DD} PE | |
| J19 | V _{SS} | | K19 | V _{SS} | | L19 | V _{SS} | | M19 | V _{SS} | |
| J20 | V _{SS} | | K20 | V _{DD} APE | | L20 | V _{DD} PE | | M20 | V _{DD} PE | |
| J21 | V _{DD} PE | | K21 | V _{SS} | | L21 | V _{DD} PE | | M21 | V _{SS} | |
| J22 | V _{SS} | | K22 | V _{TT} PE | | L22 | V _{DD} PE | | M22 | V _{DD} PE | |
| J23 | V _{SS} | | K23 | V _{SS} | | L23 | V _{SS} | | M23 | V _{SS} | |
| J24 | V _{SS} | | K24 | V _{SS} | | L24 | V _{SS} | | M24 | V _{SS} | |
| J25 | JTAG_TDO | | K25 | CCLKDS | | L25 | V _{SS} | | M25 | V _{SS} | |
| J26 | V _{DD} IO | | K26 | JTAG_TCK | | L26 | V _{SS} | | M26 | V _{SS} | |
| J27 | SSMBDAT | | K27 | V _{SS} | | L27 | V _{SS} | | M27 | V _{SS} | |
| J28 | V _{SS} | | K28 | V _{SS} | | L28 | V _{SS} | | M28 | V _{SS} | |
| J29 | V _{SS} | | K29 | V _{SS} | | L29 | V _{SS} | | M29 | V _{SS} | |
| J30 | PE1RN01 | | K30 | PE1RN00 | | L30 | V _{SS} | | M30 | PE0RN03 | |
| J31 | PE1RP01 | | K31 | PE1RP00 | | L31 | V _{SS} | | M31 | PE0RP03 | |
| J32 | V _{SS} | | K32 | V _{SS} | | L32 | V _{SS} | | M32 | V _{SS} | |
| J33 | PE1TN01 | | K33 | PE1TN00 | | L33 | V _{SS} | | M33 | PE0TN03 | |
| J34 | PE1TP01 | | K34 | PE1TP00 | | L34 | V _{SS} | | M34 | PE0TP03 | |

Table 19 PES48H12 1156-pin Signal Pin-Out (Part 3 of 9)

| Pin | Function | Alt | Pin | Function | Alt | Pin | Function | Alt | Pin | Function | Alt |
|-----|----------------------|-----|-----|----------------------|-----|-----|----------------------|-----|-----|----------------------|-----|
| N1 | PE11TP00 | | P1 | PE11TP01 | | R1 | V _{SS} | | T1 | PE11TP02 | |
| N2 | PE11TN00 | | P2 | PE11TN01 | | R2 | V _{SS} | | T2 | PE11TN02 | |
| N3 | V _{SS} | | P3 | V _{SS} | | R3 | V _{SS} | | T3 | V _{SS} | |
| N4 | PE11RP00 | | P4 | PE11RP01 | | R4 | V _{SS} | | T4 | PE11RP02 | |
| N5 | PE11RN00 | | P5 | PE11RN01 | | R5 | V _{SS} | | T5 | PE11RN02 | |
| N6 | V _{SS} | | P6 | V _{SS} | | R6 | V _{SS} | | T6 | V _{SS} | |
| N7 | V _{SS} | | P7 | V _{SS} | | R7 | V _{SS} | | T7 | V _{SS} | |
| N8 | V _{TT} PE | | P8 | V _{SS} | | R8 | V _{DD} APE | | T8 | V _{SS} | |
| N9 | V _{SS} | | P9 | V _{DD} PE | | R9 | V _{SS} | | T9 | V _{SS} | |
| N10 | V _{TT} PE | | P10 | V _{SS} | | R10 | V _{DD} APE | | T10 | V _{SS} | |
| N11 | V _{DD} PE | | P11 | V _{DD} PE | | R11 | V _{DD} PE | | T11 | V _{SS} | |
| N12 | V _{DD} PE | | P12 | V _{SS} | | R12 | V _{DD} PE | | T12 | V _{SS} | |
| N13 | V _{DD} CORE | | P13 | V _{DD} CORE | | R13 | V _{DD} CORE | | T13 | V _{SS} | |
| N14 | V _{DD} CORE | | P14 | V _{SS} | | R14 | V _{DD} CORE | | T14 | V _{SS} | |
| N15 | V _{DD} CORE | | P15 | V _{DD} CORE | | R15 | V _{SS} | | T15 | V _{DD} CORE | |
| N16 | V _{SS} | | P16 | V _{SS} | | R16 | V _{DD} CORE | | T16 | V _{SS} | |
| N17 | V _{DD} CORE | | P17 | V _{DD} CORE | | R17 | V _{SS} | | T17 | V _{DD} CORE | |
| N18 | V _{SS} | | P18 | V _{SS} | | R18 | V _{DD} CORE | | T18 | V _{SS} | |
| N19 | V _{DD} CORE | | P19 | V _{DD} CORE | | R19 | V _{SS} | | T19 | V _{DD} CORE | |
| N20 | V _{DD} CORE | | P20 | V _{SS} | | R20 | V _{DD} CORE | | T20 | V _{SS} | |
| N21 | V _{DD} CORE | | P21 | V _{DD} CORE | | R21 | V _{SS} | | T21 | V _{DD} CORE | |
| N22 | V _{DD} CORE | | P22 | V _{DD} CORE | | R22 | V _{DD} CORE | | T22 | V _{DD} CORE | |
| N23 | V _{DD} PE | | P23 | V _{SS} | | R23 | V _{DD} PE | | T23 | V _{SS} | |
| N24 | V _{DD} PE | | P24 | V _{DD} PE | | R24 | V _{DD} PE | | T24 | V _{SS} | |
| N25 | V _{TT} PE | | P25 | V _{SS} | | R25 | V _{DD} APE | | T25 | V _{SS} | |
| N26 | V _{SS} | | P26 | V _{DD} PE | | R26 | V _{SS} | | T26 | V _{SS} | |
| N27 | V _{TT} PE | | P27 | V _{SS} | | R27 | V _{DD} APE | | T27 | V _{SS} | |
| N28 | V _{SS} | | P28 | V _{SS} | | R28 | V _{SS} | | T28 | V _{SS} | |
| N29 | V _{SS} | | P29 | V _{SS} | | R29 | V _{SS} | | T29 | V _{SS} | |
| N30 | PE0RN02 | | P30 | V _{SS} | | R30 | PE0RN01 | | T30 | PE0RN00 | |
| N31 | PE0RP02 | | P31 | V _{SS} | | R31 | PE0RP01 | | T31 | PE0RP00 | |
| N32 | V _{SS} | | P32 | V _{SS} | | R32 | V _{SS} | | T32 | V _{SS} | |
| N33 | PE0TN02 | | P33 | V _{SS} | | R33 | PE0TN01 | | T33 | PE0TN00 | |
| N34 | PE0TP02 | | P34 | V _{SS} | | R34 | PE0TP01 | | T34 | PE0TP00 | |

Table 19 PES48H12 1156-pin Signal Pin-Out (Part 4 of 9)

| Pin | Function | Alt | Pin | Function | Alt | Pin | Function | Alt | Pin | Function | Alt |
|-----|----------------------|-----|-----|----------------------|-----|-----|----------------------|-----|-----|----------------------|-----|
| U1 | PE11TP03 | | V1 | V _{SS} | | W1 | PE4TP00 | | Y1 | PE4TP01 | |
| U2 | PE11TN03 | | V2 | V _{SS} | | W2 | PE4TN00 | | Y2 | PE4TN01 | |
| U3 | V _{SS} | | V3 | V _{SS} | | W3 | V _{SS} | | Y3 | V _{SS} | |
| U4 | PE11RP03 | | V4 | V _{SS} | | W4 | PE4RP00 | | Y4 | PE4RP01 | |
| U5 | PE11RN03 | | V5 | V _{SS} | | W5 | PE4RN00 | | Y5 | PE4RN01 | |
| U6 | V _{SS} | | V6 | V _{SS} | | W6 | V _{SS} | | Y6 | V _{SS} | |
| U7 | PEREFCLKN2 | | V7 | PEREFCLKP2 | | W7 | V _{SS} | | Y7 | V _{SS} | |
| U8 | V _{SS} | | V8 | V _{SS} | | W8 | V _{SS} | | Y8 | V _{DD} APE | |
| U9 | V _{TT} PE | | V9 | V _{TT} PE | | W9 | V _{SS} | | Y9 | V _{SS} | |
| U10 | V _{TT} PE | | V10 | V _{TT} PE | | W10 | V _{SS} | | Y10 | V _{DD} APE | |
| U11 | V _{DD} PE | | V11 | V _{DD} PE | | W11 | V _{SS} | | Y11 | V _{DD} PE | |
| U12 | V _{DD} PE | | V12 | V _{DD} PE | | W12 | V _{SS} | | Y12 | V _{DD} PE | |
| U13 | V _{DD} CORE | | V13 | V _{SS} | | W13 | V _{DD} CORE | | Y13 | V _{DD} CORE | |
| U14 | V _{DD} CORE | | V14 | V _{SS} | | W14 | V _{DD} CORE | | Y14 | V _{SS} | |
| U15 | V _{SS} | | V15 | V _{DD} CORE | | W15 | V _{SS} | | Y15 | V _{DD} CORE | |
| U16 | V _{DD} CORE | | V16 | V _{SS} | | W16 | V _{DD} CORE | | Y16 | V _{SS} | |
| U17 | V _{SS} | | V17 | V _{DD} CORE | | W17 | V _{SS} | | Y17 | V _{DD} CORE | |
| U18 | V _{DD} CORE | | V18 | V _{SS} | | W18 | V _{DD} CORE | | Y18 | V _{SS} | |
| U19 | V _{SS} | | V19 | V _{DD} CORE | | W19 | V _{SS} | | Y19 | V _{DD} CORE | |
| U20 | V _{DD} CORE | | V20 | V _{SS} | | W20 | V _{DD} CORE | | Y20 | V _{SS} | |
| U21 | V _{SS} | | V21 | V _{DD} CORE | | W21 | V _{SS} | | Y21 | V _{DD} CORE | |
| U22 | V _{SS} | | V22 | V _{DD} CORE | | W22 | V _{SS} | | Y22 | V _{DD} CORE | |
| U23 | V _{DD} PE | | V23 | V _{DD} PE | | W23 | V _{SS} | | Y23 | V _{DD} PE | |
| U24 | V _{DD} PE | | V24 | V _{DD} PE | | W24 | V _{SS} | | Y24 | V _{DD} PE | |
| U25 | V _{TT} PE | | V25 | V _{TT} PE | | W25 | V _{SS} | | Y25 | V _{DD} APE | |
| U26 | V _{TT} PE | | V26 | V _{TT} PE | | W26 | V _{SS} | | Y26 | V _{SS} | |
| U27 | V _{SS} | | V27 | V _{SS} | | W27 | V _{SS} | | Y27 | V _{DD} APE | |
| U28 | PEREFCLKP0 | | V28 | PEREFCLKN0 | | W28 | V _{SS} | | Y28 | V _{SS} | |
| U29 | V _{SS} | | V29 | V _{SS} | | W29 | V _{SS} | | Y29 | V _{SS} | |
| U30 | V _{SS} | | V30 | NC | | W30 | NC | | Y30 | V _{SS} | |
| U31 | V _{SS} | | V31 | NC | | W31 | NC | | Y31 | V _{SS} | |
| U32 | V _{SS} | | V32 | V _{SS} | | W32 | V _{SS} | | Y32 | V _{SS} | |
| U33 | V _{SS} | | V33 | NC | | W33 | NC | | Y33 | V _{SS} | |
| U34 | V _{SS} | | V34 | NC | | W34 | NC | | Y34 | V _{SS} | |

Table 19 PES48H12 1156-pin Signal Pin-Out (Part 5 of 9)

| Pin | Function | Alt | Pin | Function | Alt | Pin | Function | Alt | Pin | Function | Alt |
|------|----------------------|-----|------|----------------------|-----|------|--------------------|-----|------|--------------------|-----|
| AA1 | V _{SS} | | AB1 | PE4TP02 | | AC1 | PE4TP03 | | AD1 | V _{SS} | |
| AA2 | V _{SS} | | AB2 | PE4TN02 | | AC2 | PE4TN03 | | AD2 | V _{SS} | |
| AA3 | V _{SS} | | AB3 | V _{SS} | | AC3 | V _{SS} | | AD3 | V _{SS} | |
| AA4 | V _{SS} | | AB4 | PE4RP02 | | AC4 | PE4RP03 | | AD4 | V _{SS} | |
| AA5 | V _{SS} | | AB5 | PE4RN02 | | AC5 | PE4RN03 | | AD5 | V _{SS} | |
| AA6 | V _{SS} | | AB6 | V _{SS} | | AC6 | V _{SS} | | AD6 | V _{SS} | |
| AA7 | V _{SS} | | AB7 | V _{SS} | | AC7 | V _{SS} | | AD7 | V _{SS} | |
| AA8 | V _{SS} | | AB8 | V _{TT} PE | | AC8 | V _{SS} | | AD8 | V _{SS} | |
| AA9 | V _{DD} PE | | AB9 | V _{SS} | | AC9 | V _{SS} | | AD9 | V _{SS} | |
| AA10 | V _{SS} | | AB10 | V _{TT} PE | | AC10 | V _{SS} | | AD10 | V _{SS} | |
| AA11 | V _{DD} PE | | AB11 | V _{DD} PE | | AC11 | V _{SS} | | AD11 | V _{SS} | |
| AA12 | V _{SS} | | AB12 | V _{DD} PE | | AC12 | V _{SS} | | AD12 | V _{SS} | |
| AA13 | V _{DD} CORE | | AB13 | V _{DD} CORE | | AC13 | V _{DD} PE | | AD13 | V _{DD} PE | |
| AA14 | V _{DD} CORE | | AB14 | V _{DD} CORE | | AC14 | V _{SS} | | AD14 | V _{DD} PE | |
| AA15 | V _{SS} | | AB15 | V _{DD} CORE | | AC15 | V _{DD} PE | | AD15 | V _{DD} PE | |
| AA16 | V _{DD} CORE | | AB16 | V _{DD} CORE | | AC16 | V _{SS} | | AD16 | V _{SS} | |
| AA17 | V _{SS} | | AB17 | V _{SS} | | AC17 | V _{DD} PE | | AD17 | V _{DD} PE | |
| AA18 | V _{DD} CORE | | AB18 | V _{DD} CORE | | AC18 | V _{DD} PE | | AD18 | V _{DD} PE | |
| AA19 | V _{SS} | | AB19 | V _{SS} | | AC19 | V _{SS} | | AD19 | V _{SS} | |
| AA20 | V _{DD} CORE | | AB20 | V _{DD} CORE | | AC20 | V _{DD} PE | | AD20 | V _{DD} PE | |
| AA21 | V _{SS} | | AB21 | V _{DD} CORE | | AC21 | V _{SS} | | AD21 | V _{DD} PE | |
| AA22 | V _{DD} CORE | | AB22 | V _{DD} CORE | | AC22 | V _{DD} PE | | AD22 | V _{DD} PE | |
| AA23 | V _{SS} | | AB23 | V _{DD} PE | | AC23 | V _{SS} | | AD23 | V _{SS} | |
| AA24 | V _{DD} PE | | AB24 | V _{DD} PE | | AC24 | V _{SS} | | AD24 | V _{SS} | |
| AA25 | V _{SS} | | AB25 | V _{TT} PE | | AC25 | V _{SS} | | AD25 | V _{SS} | |
| AA26 | V _{DD} PE | | AB26 | V _{SS} | | AC26 | V _{SS} | | AD26 | V _{SS} | |
| AA27 | V _{SS} | | AB27 | V _{TT} PE | | AC27 | V _{SS} | | AD27 | V _{SS} | |
| AA28 | V _{SS} | | AB28 | V _{SS} | | AC28 | V _{SS} | | AD28 | V _{SS} | |
| AA29 | V _{SS} | | AB29 | V _{SS} | | AC29 | V _{SS} | | AD29 | V _{SS} | |
| AA30 | NC | | AB30 | NC | | AC30 | V _{SS} | | AD30 | NC | |
| AA31 | NC | | AB31 | NC | | AC31 | V _{SS} | | AD31 | NC | |
| AA32 | V _{SS} | | AB32 | V _{SS} | | AC32 | V _{SS} | | AD32 | V _{SS} | |
| AA33 | NC | | AB33 | NC | | AC33 | V _{SS} | | AD33 | NC | |
| AA34 | NC | | AB34 | NC | | AC34 | V _{SS} | | AD34 | NC | |

Table 19 PES48H12 1156-pin Signal Pin-Out (Part 6 of 9)

| Pin | Function | Alt | Pin | Function | Alt | Pin | Function | Alt | Pin | Function | Alt |
|------|--------------------|-----|------|-------------------|-----|------|--------------------|-----|------|-----------------|-----|
| AE1 | PE5TP00 | | AF1 | PE5TP01 | | AG1 | V _{SS} | | AH1 | PE5TP02 | |
| AE2 | PE5TN00 | | AF2 | PE5TN01 | | AG2 | V _{SS} | | AH2 | PE5TN02 | |
| AE3 | V _{SS} | | AF3 | V _{SS} | | AG3 | V _{SS} | | AH3 | V _{SS} | |
| AE4 | PE5RP00 | | AF4 | PE5RP01 | | AG4 | V _{SS} | | AH4 | PE5RP02 | |
| AE5 | PE5RN00 | | AF5 | PE5RN01 | | AG5 | V _{SS} | | AH5 | PE5RN02 | |
| AE6 | V _{SS} | | AF6 | V _{SS} | | AG6 | V _{SS} | | AH6 | V _{SS} | |
| AE7 | V _{SS} | | AF7 | V _{SS} | | AG7 | CCLKUS | | AH7 | V _{SS} | |
| AE8 | V _{SS} | | AF8 | V _{SS} | | AG8 | V _{DDIO} | | AH8 | REFCLKM | |
| AE9 | V _{DDIO} | | AF9 | V _{DDIO} | | AG9 | V _{DDIO} | | AH9 | V _{SS} | |
| AE10 | V _{SS} | | AF10 | V _{DDIO} | | AG10 | V _{SS} | | AH10 | V _{SS} | |
| AE11 | V _{SS} | | AF11 | V _{SS} | | AG11 | V _{SS} | | AH11 | V _{SS} | |
| AE12 | V _{SS} | | AF12 | V _{SS} | | AG12 | V _{SS} | | AH12 | V _{SS} | |
| AE13 | V _{TTPE} | | AF13 | V _{SS} | | AG13 | V _{TTPE} | | AH13 | V _{SS} | |
| AE14 | V _{SS} | | AF14 | V _{DDPE} | | AG14 | V _{SS} | | AH14 | V _{SS} | |
| AE15 | V _{DDAPE} | | AF15 | V _{SS} | | AG15 | V _{DDAPE} | | AH15 | V _{SS} | |
| AE16 | V _{SS} | | AF16 | V _{SS} | | AG16 | V _{SS} | | AH16 | V _{SS} | |
| AE17 | V _{TTPE} | | AF17 | V _{TTPE} | | AG17 | V _{SS} | | AH17 | PEREFCLKN3 | |
| AE18 | V _{TTPE} | | AF18 | V _{TTPE} | | AG18 | V _{SS} | | AH18 | PEREFCLKP3 | |
| AE19 | V _{SS} | | AF19 | V _{SS} | | AG19 | V _{SS} | | AH19 | V _{SS} | |
| AE20 | V _{DDAPE} | | AF20 | V _{SS} | | AG20 | V _{DDAPE} | | AH20 | V _{SS} | |
| AE21 | V _{SS} | | AF21 | V _{DDPE} | | AG21 | V _{SS} | | AH21 | V _{SS} | |
| AE22 | V _{TTPE} | | AF22 | V _{SS} | | AG22 | V _{TTPE} | | AH22 | V _{SS} | |
| AE23 | V _{SS} | | AF23 | V _{SS} | | AG23 | V _{SS} | | AH23 | V _{SS} | |
| AE24 | V _{SS} | | AF24 | V _{SS} | | AG24 | V _{SS} | | AH24 | V _{SS} | |
| AE25 | GPIO_06 | 1 | AF25 | V _{SS} | | AG25 | V _{SS} | | AH25 | V _{SS} | |
| AE26 | V _{DDIO} | | AF26 | GPIO_09 | 1 | AG26 | V _{DDIO} | | AH26 | V _{SS} | |
| AE27 | V _{SS} | | AF27 | V _{SS} | | AG27 | GPIO_04 | | AH27 | V _{SS} | |
| AE28 | V _{SS} | | AF28 | V _{SS} | | AG28 | V _{SS} | | AH28 | V _{SS} | |
| AE29 | V _{SS} | | AF29 | V _{SS} | | AG29 | V _{SS} | | AH29 | V _{SS} | |
| AE30 | NC | | AF30 | V _{SS} | | AG30 | NC | | AH30 | NC | |
| AE31 | NC | | AF31 | V _{SS} | | AG31 | NC | | AH31 | NC | |
| AE32 | V _{SS} | | AF32 | V _{SS} | | AG32 | V _{SS} | | AH32 | V _{SS} | |
| AE33 | NC | | AF33 | V _{SS} | | AG33 | NC | | AH33 | NC | |
| AE34 | NC | | AF34 | V _{SS} | | AG34 | NC | | AH34 | NC | |

Table 19 PES48H12 1156-pin Signal Pin-Out (Part 7 of 9)

| Pin | Function | Alt | Pin | Function | Alt | Pin | Function | Alt | Pin | Function | Alt |
|------|-----------------|-----|------|--------------------|-----|------|--------------------|-----|------|-----------------|-----|
| AJ1 | PE5TP03 | | AK1 | V _{SS} | | AL1 | V _{DD} IO | | AM1 | P23MERGEN | |
| AJ2 | PE5TN03 | | AK2 | V _{SS} | | AL2 | P01MERGEN | | AM2 | P67MERGEN | |
| AJ3 | V _{SS} | | AK3 | V _{SS} | | AL3 | P45MERGEN | | AM3 | V _{SS} | |
| AJ4 | PE5RP03 | | AK4 | V _{SS} | | AL4 | V _{DD} IO | | AM4 | P1011MERGEN | |
| AJ5 | PE5RN03 | | AK5 | V _{SS} | | AL5 | P89MERGEN | | AM5 | SWMODE_3 | |
| AJ6 | V _{SS} | | AK6 | V _{SS} | | AL6 | V _{SS} | | AM6 | V _{SS} | |
| AJ7 | V _{SS} | | AK7 | PE6RN00 | | AL7 | PE06RP00 | | AM7 | V _{SS} | |
| AJ8 | V _{SS} | | AK8 | PE6RN01 | | AL8 | PE06RP01 | | AM8 | V _{SS} | |
| AJ9 | V _{SS} | | AK9 | V _{SS} | | AL9 | V _{SS} | | AM9 | V _{SS} | |
| AJ10 | V _{SS} | | AK10 | PE6RN02 | | AL10 | PE6RP02 | | AM10 | V _{SS} | |
| AJ11 | V _{SS} | | AK11 | PE6RN03 | | AL11 | PE6RP03 | | AM11 | V _{SS} | |
| AJ12 | V _{SS} | | AK12 | V _{SS} | | AL12 | V _{SS} | | AM12 | V _{SS} | |
| AJ13 | V _{SS} | | AK13 | PE7RN00 | | AL13 | PE7RP00 | | AM13 | V _{SS} | |
| AJ14 | V _{SS} | | AK14 | PE7RN01 | | AL14 | PE7RP01 | | AM14 | V _{SS} | |
| AJ15 | V _{SS} | | AK15 | V _{SS} | | AL15 | V _{SS} | | AM15 | V _{SS} | |
| AJ16 | V _{SS} | | AK16 | PE7RN02 | | AL16 | PE7RP02 | | AM16 | V _{SS} | |
| AJ17 | V _{SS} | | AK17 | PE7RN03 | | AL17 | PE7RP03 | | AM17 | V _{SS} | |
| AJ18 | V _{SS} | | AK18 | V _{SS} | | AL18 | V _{SS} | | AM18 | V _{SS} | |
| AJ19 | V _{SS} | | AK19 | NC | | AL19 | NC | | AM19 | V _{SS} | |
| AJ20 | V _{SS} | | AK20 | NC | | AL20 | NC | | AM20 | V _{SS} | |
| AJ21 | V _{SS} | | AK21 | V _{SS} | | AL21 | V _{SS} | | AM21 | V _{SS} | |
| AJ22 | V _{SS} | | AK22 | NC | | AL22 | NC | | AM22 | V _{SS} | |
| AJ23 | V _{SS} | | AK23 | NC | | AL23 | NC | | AM23 | V _{SS} | |
| AJ24 | V _{SS} | | AK24 | V _{SS} | | AL24 | V _{SS} | | AM24 | V _{SS} | |
| AJ25 | V _{SS} | | AK25 | NC | | AL25 | NC | | AM25 | V _{SS} | |
| AJ26 | V _{SS} | | AK26 | NC | | AL26 | NC | | AM26 | V _{SS} | |
| AJ27 | V _{SS} | | AK27 | V _{SS} | | AL27 | V _{SS} | | AM27 | V _{SS} | |
| AJ28 | V _{SS} | | AK28 | NC | | AL28 | NC | | AM28 | V _{SS} | |
| AJ29 | V _{SS} | | AK29 | NC | | AL29 | NC | | AM29 | V _{SS} | |
| AJ30 | V _{SS} | | AK30 | V _{SS} | | AL30 | V _{SS} | | AM30 | V _{SS} | |
| AJ31 | V _{SS} | | AK31 | GPIO_08 | 1 | AL31 | GPIO_07 | 1 | AM31 | GPIO_00 | |
| AJ32 | V _{SS} | | AK32 | GPIO_15 | 1 | AL32 | V _{DD} IO | | AM32 | GPIO_05 | 1 |
| AJ33 | V _{SS} | | AK33 | GPIO_14 | 1 | AL33 | GPIO_10 | 1 | AM33 | GPIO_11 | 1 |
| AJ34 | V _{SS} | | AK34 | V _{DD} IO | | AL34 | GPIO_12 | 1 | AM34 | GPIO_13 | 1 |

Table 19 PES48H12 1156-pin Signal Pin-Out (Part 8 of 9)

| Pin | Function | Alt | Pin | Function | Alt | Pin | Function | Alt | Pin | Function | Alt |
|------|-------------------|-----|------|-------------------|-----|------|-------------------|-----|------|-------------------|-----|
| AN1 | V _{SS} | | AN18 | V _{SS} | | AP1 | V _{SS} | | AP18 | V _{SS} | |
| AN2 | V _{DDIO} | | AN19 | NC | | AP2 | V _{SS} | | AP19 | NC | |
| AN3 | V _{SS} | | AN20 | NC | | AP3 | RSTHALT | | AP20 | NC | |
| AN4 | SWMODE_0 | | AN21 | V _{SS} | | AP4 | SWMODE_1 | | AP21 | V _{SS} | |
| AN5 | SWMODE_2 | | AN22 | NC | | AP5 | V _{DDIO} | | AP22 | NC | |
| AN6 | V _{SS} | | AN23 | NC | | AP6 | V _{SS} | | AP23 | NC | |
| AN7 | PE6TN00 | | AN24 | V _{SS} | | AP7 | PE6TP00 | | AP24 | V _{SS} | |
| AN8 | PE6TN01 | | AN25 | NC | | AP8 | PE6TP01 | | AP25 | NC | |
| AN9 | V _{SS} | | AN26 | NC | | AP9 | V _{SS} | | AP26 | NC | |
| AN10 | PE6TN02 | | AN27 | V _{SS} | | AP10 | PE6TP02 | | AP27 | V _{SS} | |
| AN11 | PE6TN03 | | AN28 | NC | | AP11 | PE6TP03 | | AP28 | NC | |
| AN12 | V _{SS} | | AN29 | NC | | AP12 | V _{SS} | | AP29 | NC | |
| AN13 | PE7TN00 | | AN30 | V _{SS} | | AP13 | PE7TP00 | | AP30 | V _{SS} | |
| AN14 | PE7TN01 | | AN31 | GPIO_01 | | AP14 | PE7TP01 | | AP31 | V _{DDIO} | |
| AN15 | V _{SS} | | AN32 | GPIO_02 | | AP15 | V _{SS} | | AP32 | GPIO_03 | |
| AN16 | PE7TN02 | | AN33 | V _{DDIO} | | AP16 | PE7TP02 | | AP33 | V _{SS} | |
| AN17 | PE7TN03 | | AN34 | V _{SS} | | AP17 | PE7TP03 | | AP34 | V _{SS} | |

Table 19 PES48H12 1156-pin Signal Pin-Out (Part 9 of 9)

Alternate Signal Functions

| Pin | GPIO | Alternate | Pin | GPIO | Alternate |
|------|---------|-----------|------|---------|-------------|
| AM32 | GPIO_05 | GPEN | AK32 | GPIO_15 | P10RSTN |
| AE25 | GPIO_06 | P1RSTN | C4 | GPIO_16 | P11RSTN |
| AL31 | GPIO_07 | P2RSTN | C3 | GPIO_21 | IOEXPINTN0 |
| AK31 | GPIO_08 | P3RSTN | K10 | GPIO_22 | IOEXPINTN1 |
| AF26 | GPIO_09 | P4RSTN | D4 | GPIO_23 | IOEXPINTN2 |
| AL33 | GPIO_10 | P5RSTN | E4 | GPIO_24 | IOEXPINTN3 |
| AM33 | GPIO_11 | P6RSTN | J9 | GPIO_25 | IOEXPINTN4 |
| AL34 | GPIO_12 | P7RSTN | D2 | GPIO_26 | IOEXPINTN5 |
| AM34 | GPIO_13 | P8RSTN | E3 | GPIO_31 | IOEXPINTN10 |
| AK33 | GPIO_14 | P9RSTN | | | |

Table 20 PES48H12 Alternate Signal Functions

Power Pins

| V _{DD} Core | V _{DD} Core | V _{DD} IO | V _{DD} PE | V _{DD} PE | V _{DD} APE | V _{TT} PE |
|----------------------|----------------------|--------------------|--------------------|--------------------|---------------------|--------------------|
| N13 | V19 | A4 | J14 | V11 | H15 | H13 |
| N14 | V21 | A30 | J21 | V12 | H20 | H22 |
| N15 | V22 | B2 | L13 | V23 | K15 | J17 |
| N17 | W13 | B33 | L14 | V24 | K20 | J18 |
| N19 | W14 | D3 | L15 | Y11 | R8 | K13 |
| N20 | W16 | D31 | L17 | Y12 | R10 | K17 |
| N21 | W18 | D34 | L18 | Y23 | R25 | K18 |
| N22 | W20 | E1 | L20 | Y24 | R27 | K22 |
| P13 | Y13 | H9 | L21 | AA9 | Y8 | N8 |
| P15 | Y15 | H27 | L22 | AA11 | Y10 | N10 |
| P17 | Y17 | J26 | M13 | AA24 | Y25 | N25 |
| P19 | Y19 | K9 | M15 | AA26 | Y27 | N27 |
| P21 | Y21 | AE9 | M17 | AB11 | AE15 | U9 |
| P22 | Y22 | AE26 | M18 | AB12 | AE20 | U10 |
| R13 | AA13 | AF9 | M20 | AB23 | AG15 | U25 |
| R14 | AA14 | AF10 | M22 | AB24 | AG20 | U26 |
| R16 | AA16 | AG8 | N11 | AC13 | | V9 |
| R18 | AA18 | AG9 | N12 | AC15 | | V10 |
| R20 | AA20 | AG26 | N23 | AC17 | | V25 |
| R22 | AA22 | AK34 | N24 | AC18 | | V26 |
| T15 | AB13 | AL1 | P9 | AC20 | | AB8 |
| T17 | AB14 | AL4 | P11 | AC22 | | AB10 |
| T19 | AB15 | AL32 | P24 | AD13 | | AB25 |
| T21 | AB16 | AN2 | P26 | AD14 | | AB27 |
| T22 | AB18 | AN33 | R11 | AD15 | | AE13 |
| U13 | AB20 | AP5 | R12 | AD17 | | AE17 |
| U14 | AB21 | AP31 | R23 | AD18 | | AE18 |
| U16 | AB22 | | R24 | AD20 | | AE22 |
| U18 | | | U11 | AD21 | | AF17 |
| U20 | | | U12 | AD22 | | AF18 |
| V15 | | | U23 | AF14 | | AG13 |
| V17 | | | U24 | AF21 | | AG22 |

Table 21 PES48H12 Power Pins

Ground Pins

| V _{SS} | V _{SS} | V _{SS} | V _{SS} | V _{SS} | V _{SS} | V _{SS} | V _{SS} |
|-----------------|-----------------|-----------------|-----------------|-----------------|-----------------|-----------------|-----------------|
| A1 | C16 | E33 | G8 | H29 | K16 | M5 | P12 |
| A2 | C17 | E34 | G9 | H30 | K19 | M6 | P14 |
| A5 | C18 | F1 | G10 | H31 | K21 | M7 | P16 |
| A8 | C19 | F2 | G11 | H32 | K23 | M8 | P18 |
| A11 | C20 | F3 | G12 | H33 | K24 | M9 | P20 |
| A14 | C21 | F4 | G13 | H34 | K27 | M10 | P23 |
| A17 | C22 | F5 | G14 | J1 | K28 | M11 | P25 |
| A20 | C23 | F6 | G15 | J2 | K29 | M12 | P27 |
| A23 | C24 | F7 | G16 | J3 | K32 | M14 | P28 |
| A26 | C25 | F8 | G19 | J4 | L3 | M16 | P29 |
| A29 | C26 | F9 | G20 | J5 | L6 | M19 | P30 |
| A33 | C27 | F10 | G21 | J6 | L7 | M21 | P31 |
| A34 | C28 | F11 | G22 | J7 | L8 | M23 | P32 |
| B1 | C29 | F12 | G23 | J8 | L9 | M24 | P33 |
| B5 | D5 | F13 | G24 | J10 | L10 | M25 | P34 |
| B8 | D8 | F14 | G25 | J11 | L11 | M26 | R1 |
| B11 | D11 | F15 | G26 | J12 | L12 | M27 | R2 |
| B14 | D14 | F16 | G28 | J13 | L16 | M28 | R3 |
| B17 | D17 | F17 | G29 | J15 | L19 | M29 | R4 |
| B20 | D20 | F18 | G32 | J16 | L23 | M32 | R5 |
| B23 | D23 | F19 | H3 | J19 | L24 | N3 | R6 |
| B26 | D26 | F20 | H6 | J20 | L25 | N6 | R7 |
| B29 | D29 | F21 | H7 | J22 | L26 | N7 | R9 |
| B34 | E5 | F22 | H10 | J23 | L27 | N9 | R15 |
| C5 | E8 | F23 | H11 | J24 | L28 | N16 | R17 |
| C6 | E11 | F24 | H12 | J28 | L29 | N18 | R19 |
| C7 | E14 | F25 | H14 | J29 | L30 | N26 | R21 |
| C8 | E17 | F26 | H16 | J32 | L31 | N28 | R26 |
| C9 | E20 | F27 | H17 | K3 | L32 | N29 | R28 |
| C10 | E23 | F28 | H18 | K6 | L33 | N32 | R29 |
| C11 | E26 | F29 | H19 | K7 | L34 | P3 | R32 |
| C12 | E29 | F32 | H21 | K8 | M1 | P6 | T3 |
| C13 | E30 | G3 | H23 | K11 | M2 | P7 | T6 |
| C14 | E31 | G6 | H24 | K12 | M3 | P8 | T7 |
| C15 | E32 | G7 | H25 | K14 | M4 | P10 | T8 |

Table 22 PES48H12 Ground Pins (Part 1 of 3)

| V _{SS} | V _{SS} | V _{SS} | V _{SS} | V _{SS} | V _{SS} | V _{SS} | V _{SS} |
|-----------------|-----------------|-----------------|-----------------|-----------------|-----------------|-----------------|-----------------|
| T9 | V6 | Y18 | AB28 | AD11 | AF16 | AH6 | AJ20 |
| T10 | V8 | Y20 | AB29 | AD12 | AF19 | AH7 | AJ21 |
| T11 | V13 | Y26 | AB32 | AD16 | AF20 | AH9 | AJ22 |
| T12 | V14 | Y28 | AC3 | AD19 | AF22 | AH10 | AJ23 |
| T13 | V16 | Y29 | AC6 | AD23 | AF23 | AH11 | AJ24 |
| T14 | V18 | Y30 | AC7 | AD24 | AF24 | AH12 | AJ25 |
| T16 | V20 | Y31 | AC8 | AD25 | AF25 | AH13 | AJ26 |
| T18 | V27 | Y32 | AC9 | AD26 | AF27 | AH14 | AJ27 |
| T20 | V29 | Y33 | AC10 | AD27 | AF28 | AH15 | AJ28 |
| T23 | V32 | Y34 | AC11 | AD28 | AF29 | AH16 | AJ29 |
| T24 | W3 | AA1 | AC12 | AD29 | AF30 | AH19 | AJ30 |
| T25 | W6 | AA2 | AC14 | AD32 | AF31 | AH20 | AJ31 |
| T26 | W7 | AA3 | AC16 | AE3 | AF32 | AH21 | AJ32 |
| T27 | W8 | AA4 | AC19 | AE6 | AF33 | AH22 | AJ33 |
| T28 | W9 | AA5 | AC21 | AE7 | AF34 | AH23 | AJ34 |
| T29 | W10 | AA6 | AC23 | AE8 | AG1 | AH24 | AK1 |
| T32 | W11 | AA7 | AC24 | AE10 | AG2 | AH25 | AK2 |
| U3 | W12 | AA8 | AC25 | AE11 | AG3 | AH26 | AK3 |
| U6 | W15 | AA10 | AC26 | AE12 | AG4 | AH27 | AK4 |
| U8 | W17 | AA12 | AC27 | AE14 | AG5 | AH28 | AK5 |
| U15 | W19 | AA15 | AC28 | AE16 | AG6 | AH29 | AK6 |
| U17 | W21 | AA17 | AC29 | AE19 | AG10 | AH32 | AK9 |
| U19 | W22 | AA19 | AC30 | AE21 | AG11 | AJ3 | AK12 |
| U21 | W23 | AA21 | AC31 | AE23 | AG12 | AJ6 | AK15 |
| U22 | W24 | AA23 | AC32 | AE24 | AG14 | AJ7 | AK18 |
| U27 | W25 | AA25 | AC33 | AE27 | AG16 | AJ8 | AK21 |
| U29 | W26 | AA27 | AC34 | AE28 | AG17 | AJ9 | AK24 |
| U30 | W27 | AA28 | AD1 | AE29 | AG18 | AJ10 | AK27 |
| U31 | W28 | AA29 | AD2 | AE32 | AG19 | AJ11 | AK30 |
| U32 | W29 | AA32 | AD3 | AF3 | AG21 | AJ12 | AL6 |
| U33 | W32 | AB3 | AD4 | AF6 | AG23 | AJ13 | AL9 |
| U34 | Y3 | AB6 | AD5 | AF7 | AG24 | AJ14 | AL12 |
| V1 | Y6 | AB7 | AD6 | AF8 | AG25 | AJ15 | AL15 |
| V2 | Y7 | AB9 | AD7 | AF11 | AG28 | AJ16 | AL18 |
| V3 | Y9 | AB17 | AD8 | AF12 | AG29 | AJ17 | AL21 |
| V4 | Y14 | AB19 | AD9 | AF13 | AG32 | AJ18 | AL24 |
| V5 | Y16 | AB26 | AD10 | AF15 | AH3 | AJ19 | AL27 |

Table 22 PES48H12 Ground Pins (Part 2 of 3)

| | | | | | | | |
|-----------------|-----------------|-----------------|-----------------|-----------------|-----------------|-----------------|-----------------|
| V _{SS} | V _{SS} | V _{SS} | V _{SS} | V _{SS} | V _{SS} | V _{SS} | V _{SS} |
| AL30 | AM11 | AM18 | AM25 | AN3 | AN24 | AP9 | AP30 |
| AM3 | AM12 | AM19 | AM26 | AN6 | AN27 | AP12 | AP33 |
| AM6 | AM13 | AM20 | AM27 | AN9 | AN30 | AP15 | AP34 |
| AM7 | AM14 | AM21 | AM28 | AN12 | AN34 | AP18 | |
| AM8 | AM15 | AM22 | AM29 | AN15 | AP1 | AP21 | |
| AM9 | AM16 | AM23 | AM30 | AN18 | AP2 | AP24 | |
| AM10 | AM17 | AM24 | AN1 | AN21 | AP6 | AP27 | |

Table 22 PES48H12 Ground Pins (Part 3 of 3)

No Connect Pins

| | | | | | | | |
|------|------|------|------|------|------|------|------|
| NC | NC | NC | NC | NC | NC | NC | NC |
| V30 | AA31 | AD33 | AG34 | AK25 | AL26 | AN28 | AP29 |
| V31 | AA33 | AD34 | AH30 | AK26 | AL28 | AN29 | |
| V33 | AA34 | AE30 | AH31 | AK28 | AL29 | AP19 | |
| V34 | AB30 | AE31 | AH33 | AK29 | AN19 | AP20 | |
| W30 | AB31 | AE33 | AH34 | AL19 | AN20 | AP22 | |
| W31 | AB33 | AE34 | AK19 | AL20 | AN22 | AP23 | |
| W33 | AB34 | AG30 | AK20 | AL22 | AN23 | AP25 | |
| W34 | AD30 | AG31 | AK22 | AL23 | AN25 | AP26 | |
| AA30 | AD31 | AG33 | AK23 | AL25 | AN26 | AP28 | |

Table 23 PES48H12 No Connect Pins

Signals Listed Alphabetically

| Signal Name | I/O Type | Location | Signal Category |
|-------------|----------|----------|-----------------|
| CCLKDS | I | K25 | System |
| CCLKUS | I | AG7 | |

Table 24 89PES48H12 Alphabetical Signal List (Part 1 of 10)

| Signal Name | I/O Type | Location | Signal Category |
|-------------|----------|----------|-----------------------------|
| GPIO_00 | I/O | AM31 | General Purpose I/O |
| GPIO_01 | I/O | AN31 | |
| GPIO_02 | I/O | AN32 | |
| GPIO_03 | I/O | AP32 | |
| GPIO_04 | I/O | AG27 | |
| GPIO_05 | I/O | AM32 | |
| GPIO_06 | I/O | AE25 | |
| GPIO_07 | I/O | AL31 | |
| GPIO_08 | I/O | AK31 | General Purpose I/O (cont.) |
| GPIO_09 | I/O | AF26 | |
| GPIO_10 | I/O | AL33 | |
| GPIO_11 | I/O | AM33 | |
| GPIO_12 | I/O | AL34 | |
| GPIO_13 | I/O | AM34 | |
| GPIO_14 | I/O | AK33 | |
| GPIO_15 | I/O | AK32 | |
| GPIO_16 | I/O | C4 | |
| GPIO_17 | I/O | B4 | |
| GPIO_18 | I/O | B3 | |
| GPIO_19 | I/O | A3 | |
| GPIO_20 | I/O | H8 | |
| GPIO_21 | I/O | C3 | |
| GPIO_22 | I/O | K10 | |
| GPIO_23 | I/O | D4 | |
| GPIO_24 | I/O | E4 | |
| GPIO_25 | I/O | J9 | |
| GPIO_26 | I/O | D2 | |
| GPIO_27 | I/O | C2 | |
| GPIO_28 | I/O | D1 | |
| GPIO_29 | I/O | C1 | |
| GPIO_30 | I/O | E2 | |
| GPIO_31 | I/O | E3 | |

Table 24 89PES48H12 Alphabetical Signal List (Part 2 of 10)

| Signal Name | I/O Type | Location | Signal Category |
|-------------|--|----------|-----------------|
| JTAG_TCK | I | K26 | Test |
| JTAG_TDI | I | C31 | |
| JTAG_TDO | O | J25 | |
| JTAG_TMS | I | D30 | |
| JTAG_TRST_N | I | C32 | |
| MSMBADDR_1 | I | A31 | SMBus Interface |
| MSMBADDR_2 | I | B31 | |
| MSMBADDR_3 | I | B30 | |
| MSMBADDR_4 | I | C30 | |
| MSMBCLK | I/O | G27 | |
| MSMBDAT | I/O | H26 | |
| MSMBSMODE | I | A32 | System |
| NC | See Table 23 for a listing of no connect pins. | | |
| P01MERGEN | I | AL2 | System |
| P23MERGEN | I | AM1 | |
| P45MERGEN | I | AL3 | |
| P67MERGEN | I | AM2 | |
| P89MERGEN | I | AL5 | |
| P1011MERGEN | I | AM4 | |

Table 24 89PES48H12 Alphabetical Signal List (Part 3 of 10)

| Signal Name | I/O Type | Location | Signal Category |
|-------------|----------|----------|-----------------------|
| PE0RN00 | I | T30 | PCI Express Interface |
| PE0RN01 | I | R30 | |
| PE0RN02 | I | N30 | |
| PE0RN03 | I | M30 | |
| PE0RP00 | I | T31 | |
| PE0RP01 | I | R31 | |
| PE0RP02 | I | N31 | |
| PE0RP03 | I | M31 | |
| PE0TN00 | O | T33 | |
| PE0TN01 | O | R33 | |
| PE0TN02 | O | N33 | |
| PE0TN03 | O | M33 | |
| PE0TP00 | O | T34 | |
| PE0TP01 | O | R34 | |
| PE0TP02 | O | N34 | |
| PE0TP03 | O | M34 | |
| PE1RN00 | I | K30 | |
| PE1RN01 | I | J30 | |
| PE1RN02 | I | G30 | |
| PE1RN03 | I | F30 | |
| PE1RP00 | I | K31 | |
| PE1RP01 | I | J31 | |
| PE1RP02 | I | G31 | |
| PE1RP03 | I | F31 | |
| PE1TN00 | O | K33 | |
| PE1TN01 | O | J33 | |
| PE1TN02 | O | G33 | |
| PE1TN03 | O | F33 | |
| PE1TP00 | O | K34 | |

Table 24 89PES48H12 Alphabetical Signal List (Part 4 of 10)

| Signal Name | I/O Type | Location | Signal Category |
|-------------|----------|----------|-------------------------------|
| PE1TP01 | O | J34 | PCI Express Interface (cont.) |
| PE1TP02 | O | G34 | |
| PE1TP03 | O | F34 | |
| PE2RN00 | I | E28 | |
| PE2RN01 | I | E27 | |
| PE2RN02 | I | E25 | |
| PE2RN03 | I | E24 | |
| PE2RP00 | I | D28 | |
| PE2RP01 | I | D27 | |
| PE2RP02 | I | D25 | |
| PE2RP03 | I | D24 | |
| PE2TN00 | O | B28 | |
| PE2TN01 | O | B27 | |
| PE2TN02 | O | B25 | |
| PE2TN03 | O | B24 | |
| PE2TP00 | O | A28 | |
| PE2TP01 | O | A27 | |
| PE2TP02 | O | A25 | |
| PE2TP03 | O | A24 | |
| PE3RN00 | I | E22 | |
| PE3RN01 | I | E21 | |
| PE3RN02 | I | E19 | |
| PE3RN03 | I | E18 | |
| PE3RP00 | I | D22 | |
| PE3RP01 | I | D21 | |
| PE3RP02 | I | D19 | |
| PE3RP03 | I | D18 | |
| PE3TN00 | O | B22 | |
| PE3TN01 | O | B21 | |
| PE3TN02 | O | B19 | |
| PE3TN03 | O | B18 | |
| PE3TP00 | O | A22 | |
| PE3TP01 | O | A21 | |
| PE3TP02 | O | A19 | |
| PE3TP03 | O | A18 | |
| PE4RN00 | I | W5 | |

Table 24 89PES48H12 Alphabetical Signal List (Part 5 of 10)

| Signal Name | I/O Type | Location | Signal Category |
|-------------|----------|----------|-------------------------------|
| PE4RN01 | I | Y5 | PCI Express Interface (cont.) |
| PE4RN02 | I | AB5 | |
| PE4RN03 | I | AC5 | |
| PE4RP00 | I | W4 | |
| PE4RP01 | I | Y4 | |
| PE4RP02 | I | AB4 | |
| PE4RP03 | I | AC4 | |
| PE4TN00 | O | W2 | |
| PE4TN01 | O | Y2 | |
| PE4TN02 | O | AB2 | |
| PE4TN03 | O | AC2 | |
| PE4TP00 | O | W1 | |
| PE4TP01 | O | Y1 | |
| PE4TP02 | O | AB1 | |
| PE4TP03 | O | AC1 | |
| PE5RN00 | I | AE5 | |
| PE5RN01 | I | AF5 | |
| PE5RN02 | I | AH5 | |
| PE5RN03 | I | AJ5 | |
| PE5RP00 | I | AE4 | |
| PE5RP01 | I | AF4 | |
| PE5RP02 | I | AH4 | |
| PE5RP03 | I | AJ4 | |
| PE5TN00 | O | AE2 | |
| PE5TN01 | O | AF2 | |
| PE5TN02 | O | AH2 | |
| PE5TN03 | O | AJ2 | |
| PE5TP00 | O | AE1 | |
| PE5TP01 | O | AF1 | |
| PE5TP02 | O | AH1 | |
| PE5TP03 | O | AJ1 | |
| PE6RN00 | I | AK7 | |
| PE6RN01 | I | AK8 | |
| PE6RN02 | I | AK10 | |
| PE6RN03 | I | AK11 | |
| PE6RP00 | I | AL7 | |

Table 24 89PES48H12 Alphabetical Signal List (Part 6 of 10)

| Signal Name | I/O Type | Location | Signal Category |
|-------------|----------|----------|-------------------------------|
| PE6RP01 | I | AL8 | PCI Express Interface (cont.) |
| PE6RP02 | I | AL10 | |
| PE6RP03 | I | AL11 | |
| PE6TN00 | O | AN7 | |
| PE6TN01 | O | AN8 | |
| PE6TN02 | O | AN10 | |
| PE6TN03 | O | AN11 | |
| PE6TP00 | O | AP7 | |
| PE6TP01 | O | AP8 | |
| PE6TP02 | O | AP10 | |
| PE6TP03 | O | AP11 | |
| PE7RN00 | I | AK13 | |
| PE7RN01 | I | AK14 | |
| PE7RN02 | I | AK16 | |
| PE7RN03 | I | AK17 | |
| PE7RP00 | I | AL13 | |
| PE7RP01 | I | AL14 | |
| PE7RP02 | I | AL16 | |
| PE7RP03 | I | AL17 | |
| PE7TN00 | O | AN13 | |
| PE7TN01 | O | AN14 | |
| PE7TN02 | O | AN16 | |
| PE7TN03 | O | AN17 | |
| PE7TP00 | O | AP13 | |
| PE7TP01 | O | AP14 | |
| PE7TP02 | O | AP16 | |
| PE7TP03 | O | AP17 | |
| PE8RN00 | I | E16 | |
| PE8RN01 | I | E15 | |
| PE8RN02 | I | E13 | |
| PE8RN03 | I | E12 | |
| PE8RP00 | I | D16 | |
| PE8RP01 | I | D15 | |
| PE8RP02 | I | D13 | |
| PE8RP03 | I | D12 | |
| PE8TN00 | O | B16 | |

Table 24 89PES48H12 Alphabetical Signal List (Part 7 of 10)

| Signal Name | I/O Type | Location | Signal Category |
|-------------|----------|----------|-------------------------------|
| PE8TN01 | O | B15 | PCI Express Interface (cont.) |
| PE8TN02 | O | B13 | |
| PE8TN03 | O | B12 | |
| PE8TP00 | O | A16 | |
| PE8TP01 | O | A15 | |
| PE8TP02 | O | A13 | |
| PE8TP03 | O | A12 | |
| PE9RN00 | I | E10 | |
| PE9RN01 | I | E9 | |
| PE9RN02 | I | E7 | |
| PE9RN03 | I | E6 | |
| PE9RP00 | I | D10 | |
| PE9RP01 | I | D9 | |
| PE9RP02 | I | D7 | |
| PE9RP03 | I | D6 | |
| PE9TN00 | O | B10 | |
| PE9TN01 | O | B9 | |
| PE9TN02 | O | B7 | |
| PE9TN03 | O | B6 | |
| PE9TP00 | O | A10 | |
| PE9TP01 | O | A9 | |
| PE9TP02 | O | A7 | |
| PE9TP03 | O | A6 | |
| PE10RN00 | I | G5 | |
| PE10RN01 | I | H5 | |
| PE10RN02 | I | K5 | |
| PE10RN03 | I | L5 | |
| PE10RP00 | I | G4 | |
| PE10RP01 | I | H4 | |
| PE10RP02 | I | K4 | |
| PE10RP03 | I | L4 | |
| PE10TN00 | O | G2 | |
| PE10TN01 | O | H2 | |
| PE10TN02 | O | K2 | |
| PE10TN03 | O | L2 | |
| PE10TP00 | O | G1 | |

Table 24 89PES48H12 Alphabetical Signal List (Part 8 of 10)

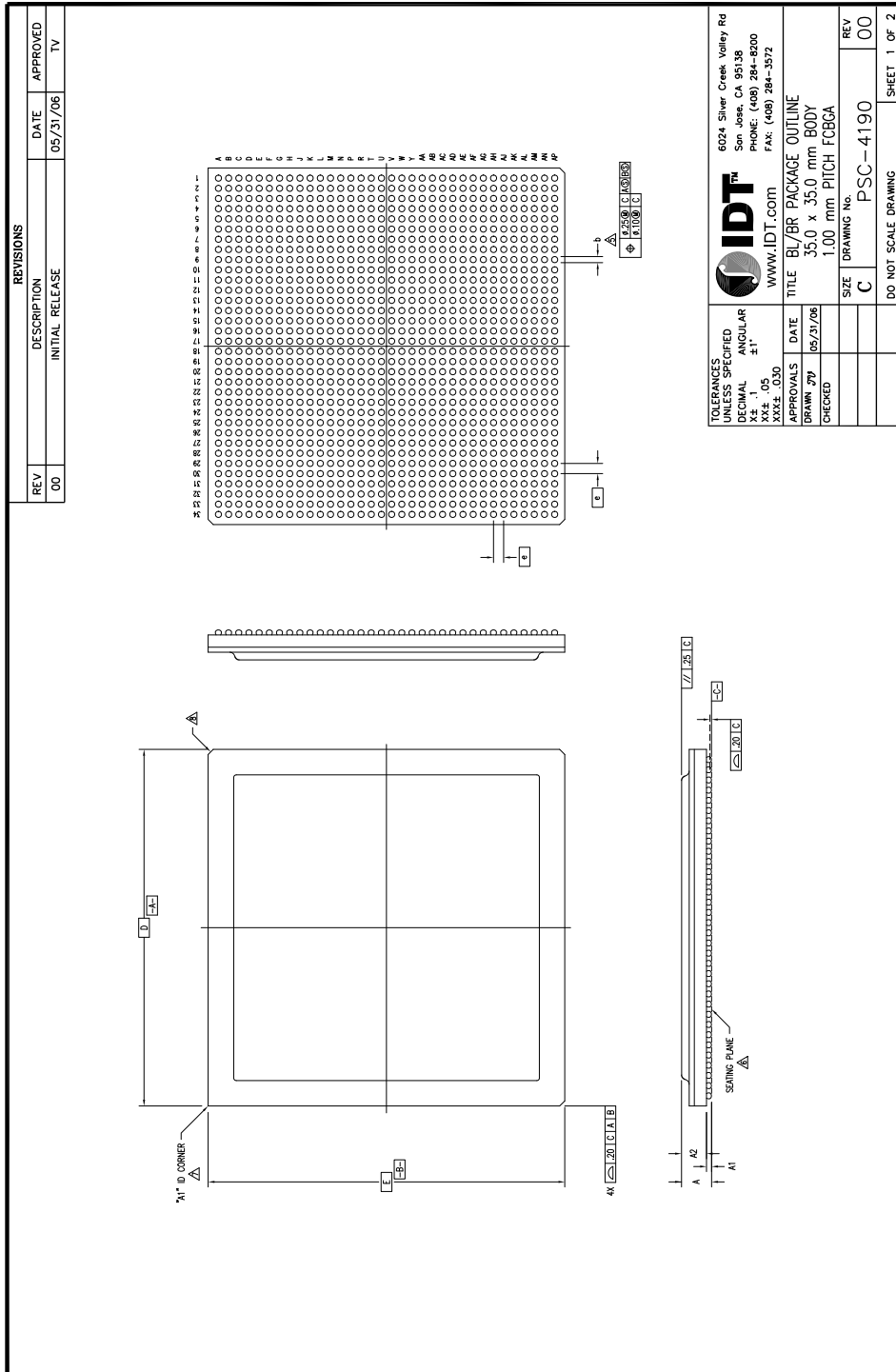
| Signal Name | I/O Type | Location | Signal Category | |
|-------------|----------|----------|-------------------------------|-----------------------|
| PE10TP01 | O | H1 | PCI Express Interface (cont.) | |
| PE10TP02 | O | K1 | | |
| PE10TP03 | O | L1 | | |
| PE11RN00 | I | N5 | | |
| PE11RN01 | I | P5 | | |
| PE11RN02 | I | T5 | | |
| PE11RN03 | I | U5 | | |
| PE11RP00 | I | N4 | | |
| PE11RP01 | I | P4 | | |
| PE11RP02 | I | T4 | | |
| PE11RP03 | I | U4 | | |
| PE11TN00 | O | N2 | | |
| PE11TN01 | O | P2 | | |
| PE11TN02 | O | T2 | | |
| PE11TN03 | O | U2 | | |
| PE11TP00 | O | N1 | | |
| PE11TP01 | O | P1 | | |
| PE11TP02 | O | T1 | | |
| PE11TP03 | O | U1 | | |
| PEREFCLKN0 | I | V28 | | |
| PEREFCLKN1 | I | G18 | | |
| PEREFCLKN2 | I | U7 | | |
| PEREFCLKN3 | I | AH17 | | |
| PEREFCLKP0 | I | U28 | | |
| PEREFCLKP1 | I | G17 | | |
| PEREFCLKP2 | I | V7 | | |
| PEREFCLKP3 | I | AH18 | | |
| PERSTN | I | B32 | | System |
| REFCLKM | I | AH8 | | PCI Express Interface |
| RSTHALT | I | AP3 | | System |
| SSMBADDR_1 | I | C34 | SMBus Interface | |
| SSMBADDR_2 | I | C33 | | |
| SSMBADDR_3 | I | D33 | | |
| SSMBADDR_5 | I | D32 | | |
| SSMBCLK | I/O | H28 | | |
| SSMBDAT | I/O | J27 | | |

Table 24 89PES48H12 Alphabetical Signal List (Part 9 of 10)

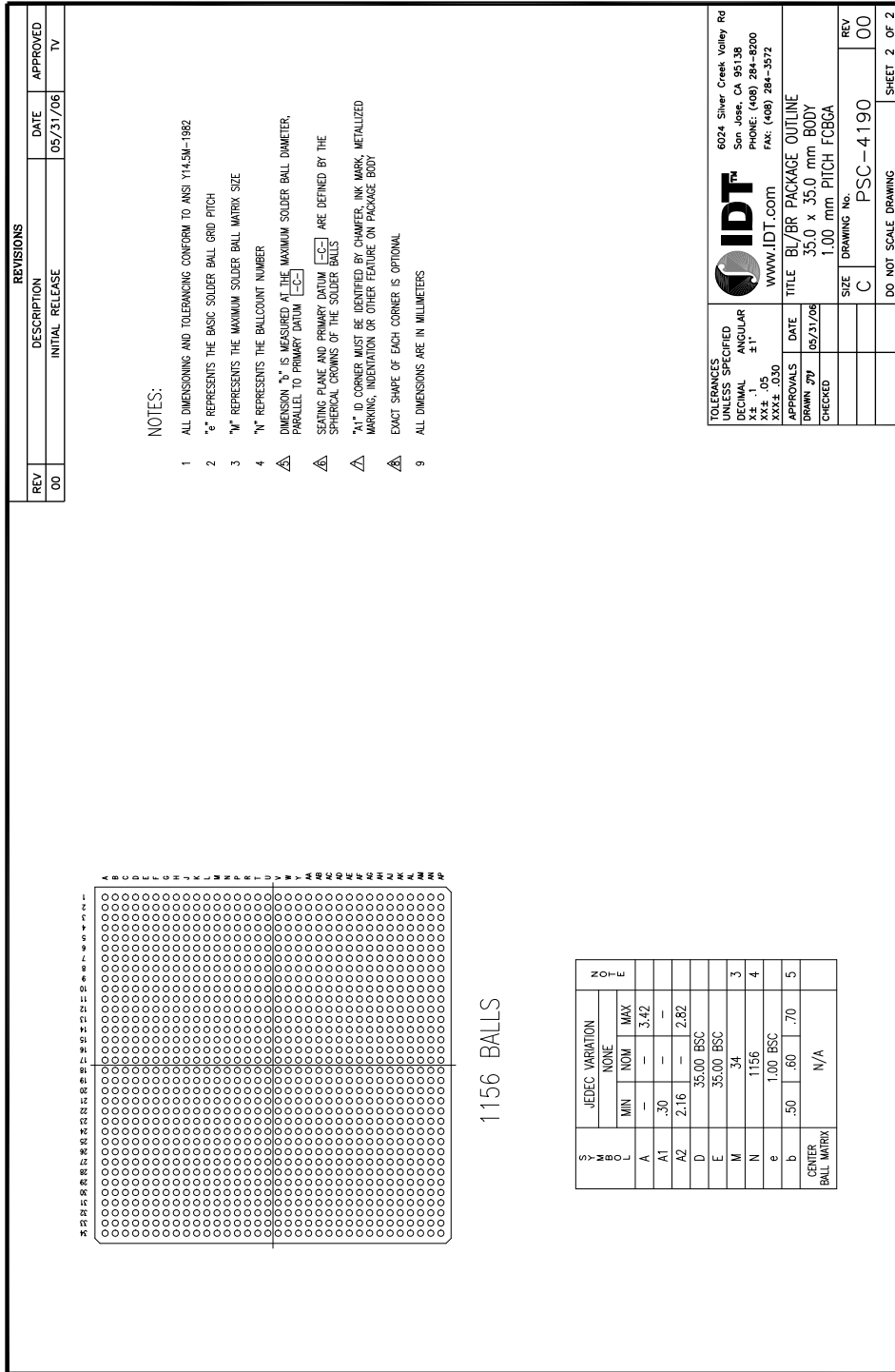
| Signal Name | I/O Type | Location | Signal Category |
|---|--|----------|-----------------|
| SWMODE_0 | I | AN4 | System |
| SWMODE_1 | I | AP4 | |
| SWMODE_2 | I | AN5 | |
| SWMODE_3 | I | AM5 | |
| V _{DD} CORE, V _{DD} APE, V _{DD} IO, V _{DD} PE, V _{TT} PE | See Table 21 for a listing of power pins. | | |
| V _{SS} | See Table 22 for a listing of ground pins. | | |

Table 24 89PES48H12 Alphabetical Signal List (Part 10 of 10)

PES48H12 Package Drawing — 1156-Pin BL1156/BR1156



| | | | |
|---|--|---|--|
| TOLERANCES UNLESS SPECIFIED DECIMAL ±.1 ANGULAR ±1° XXX±.030 APPROVALS DRAWN JYJ CHECKED | | 6024 Silver Creek Valley Rd San Jose, CA 95138 PHONE: (408) 284-8200 FAX: (408) 284-3572 IDT™ WWW.IDT.COM | |
| TITLE BL/BR PACKAGE OUTLINE SIZE 35.0 x 35.0 mm BODY 1.00 mm PITCH FCBCA | | DRAWING No. PSC-4190 REV 00 | |
| DO NOT SCALE DRAWING | | SHEET 1 OF 2 | |



NOTES:

- 1 ALL DIMENSIONS AND TOLERANCING CONFORM TO ANSI Y14.5M-1982
 - 2 "e" REPRESENTS THE BASIC SOLDER BALL GRID PITCH
 - 3 "M" REPRESENTS THE MAXIMUM SOLDER BALL MATRIX SIZE
 - 4 "N" REPRESENTS THE BALLCOUNT NUMBER
- Δ DIMENSION "b" IS MEASURED AT THE MAXIMUM SOLDER BALL DIAMETER, PARALLEL TO PRIMARY DATUM [C]
 Δ SEATING PLANE AND PRIMARY DATUM [C] ARE DEFINED BY THE SPHERICAL CROWNS OF THE SOLDER BALLS
 Δ "A1" ID CORNER MUST BE IDENTIFIED BY CHAMFER, INK MARK, METALLIZED MARKING, INDENTATION OR OTHER FEATURE ON PACKAGE BODY
 Δ EXACT SHAPE OF EACH CORNER IS OPTIONAL
 9 ALL DIMENSIONS ARE IN MILLIMETERS

| REVISIONS | | | |
|-----------|-----------------|----------|----------|
| REV | DESCRIPTION | DATE | APPROVED |
| 00 | INITIAL RELEASE | 05/31/06 | TV |

| | | | |
|--|------------------|--|-------------------------|
| | | 6024 Silver Creek Valley Rd San Jose, CA 95138 PHONE: (408) 284-8200 FAX: (408) 284-3572 www.IDT.com | |
| TOLERANCES UNLESS SPECIFIED DECIMAL ANGULAR X ± .1 ±1° XX ± .05 XXX ± .030 | DATE 05/31/06 | TITLE BL/BR PACKAGE OUTLINE 35.0 x 35.0 mm BODY 1.00 mm PITCH FCBGA | DRAWING No. PSC-4190 |
| APPROVALS DRAWN BY CHECKED | REV C | SIZE PSC-4190 | REV 00 |
| DO NOT SCALE DRAWING | | | SHEET 2 OF 2 |

Revision History

July 19, 2007: Initial publication of data sheet.

November 14, 2007: Added new parameter, Termination Resistor, to Table 9, Input Clock Requirements.

April 16, 2008: In Table 16, Thermal Specifications, revised values for θ_{JA} , θ_{JB} , and θ_{JC} .

October 7, 2008: In Table 5, revised description of PxxMERGEN pins.

October 3, 2011: Added new Table 14, PES48H12 Absolute Maximum Voltage Rating.

Ordering Information

| Product Family | Operating Voltage | Device Family | Product Detail | Device Revision | Package | Temp Range | |
|----------------|-------------------|---------------|----------------|-----------------|---------|------------|--|
| | | | | | | Blank | Commercial Temperature (0° C to +70° C Ambient) |
| | | | | | | I | Industrial Temperature (-40° C to +85° C Ambient) |
| | | | | | BL | | 1156-ball FCBGA |
| | | | | | BR | | 1156-ball FCBGA, RoHS |
| | | | | ZA | | | ZA revision |
| | | | 48H12 | | | | 48-lane, 12-port |
| | | | | | | PES | PCI Express Switch |
| | H | | | | | | 1.0V +/- 0.1V Core Voltage |
| | | | | | | 89 | Serial Switching Product |

Legend

A = Alpha Character
N = Numeric Character

Valid Combinations

| | |
|------------------|--|
| 89HPES48H12ZABL | 1156-ball FCBGA package, Commercial Temperature |
| 89HPES48H12ZABR | 1156-ball RoHS FCBGA package, Commercial Temperature |
| 89HPES48H12ZABLI | 1156-ball FCBGA package, Industrial Temperature |
| 89HPES48H12ZABRI | 1156-ball RoHS FCBGA package, Industrial Temperature |



CORPORATE HEADQUARTERS
6024 Silver Creek Valley Road
San Jose, CA 95138

for SALES:
800-345-7015 or 408-284-8200
fax: 408-284-2775
www.idt.com

for Tech Support:
email: ssdhelp@idt.com
phone: 408-284-8208