

# ADC1212D series

Dual 12-bit ADC; 65 Msps, 80 Msps, 105 Msps or 125 Msps;  
CMOS or LVDS DDR digital outputs

Rev. 03 — 2 July 2012

Product data sheet

## 1. General description

---

The ADC1212D is a dual channel 12-bit Analog-to-Digital Converter (ADC) optimized for high dynamic performances and low power consumption at sample rates up to 125 Msps. Pipelined architecture and output error correction ensure the ADC1212D is accurate enough to guarantee zero missing codes over the entire operating range. Supplied from a single 3 V source, it can handle output logic levels from 1.8 V to 3.3 V in Complementary Metal Oxide Semiconductor (CMOS) mode, because of a separate digital output supply. It supports the Low Voltage Differential Signalling (LVDS) Double Data Rate (DDR) output standard. An integrated Serial Peripheral Interface (SPI) allows the user to easily configure the ADC. The device also includes a programmable full-scale SPI to allow a flexible input voltage range of 1 V (p-p) to 2 V (p-p). With excellent dynamic performance from the baseband to input frequencies of 170 MHz or more, the ADC1212D is ideal for use in communications, imaging and medical applications.

## 2. Features and benefits

---

- SNR, 70 dBFS
- SFDR, 86 dBc
- Sample rate up to 125 Msps
- Clock input divided by 2 to reduce jitter contribution
- Single 3 V supply
- Flexible input voltage range: 1 V to 2 V (p-p)
- CMOS or LVDS DDR digital outputs
- Pin and software compatible with ADC1412D series and ADC1112D125.
- Input bandwidth, 600 MHz
- Power dissipation, 855 mW at 80 Msps
- Serial Peripheral Interface (SPI)
- Duty cycle stabilizer
- Fast Out-of-Range (OTR) detection
- Offset binary, two's complement, gray code
- Power-down and Sleep modes
- HVQFN64 package

## 3. Applications

---

- Wireless and wired broadband communications
- Portable instrumentation
- Imaging systems
- Spectral analysis
- Ultrasound equipment
- Software defined radio

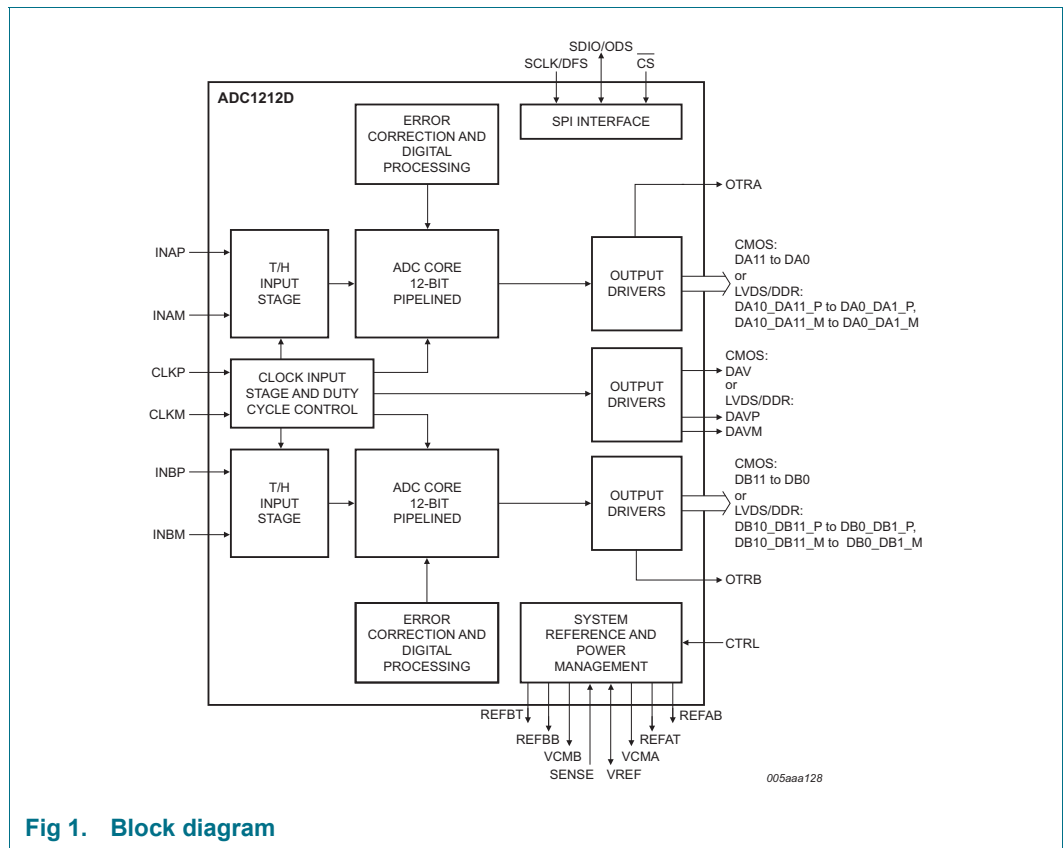


## 4. Ordering information

Table 1. Ordering information

| Type number      | f <sub>s</sub> (MSPS) | Package |  | Version  |
|------------------|-----------------------|---------|--|----------|
|                  |                       | Name    | Description  |          |
| ADC1212D125HN-C1 | 125                   | HVQFN64 | plastic thermal enhanced very thin quad flat package; no leads; 64 terminals; body 9 × 9 × 0.85 mm | SOT804-3 |
| ADC1212D105HN-C1 | 105                   | HVQFN64 | plastic thermal enhanced very thin quad flat package; no leads; 64 terminals; body 9 × 9 × 0.85 mm | SOT804-3 |
| ADC1212D080HN-C1 | 80                    | HVQFN64 | plastic thermal enhanced very thin quad flat package; no leads; 64 terminals; body 9 × 9 × 0.85 mm | SOT804-3 |
| ADC1212D065HN-C1 | 65                    | HVQFN64 | plastic thermal enhanced very thin quad flat package; no leads; 64 terminals; body 9 × 9 × 0.85 mm | SOT804-3 |

## 5. Block diagram



## 6. Pinning information

### 6.1 CMOS outputs selected

#### 6.1.1 Pinning

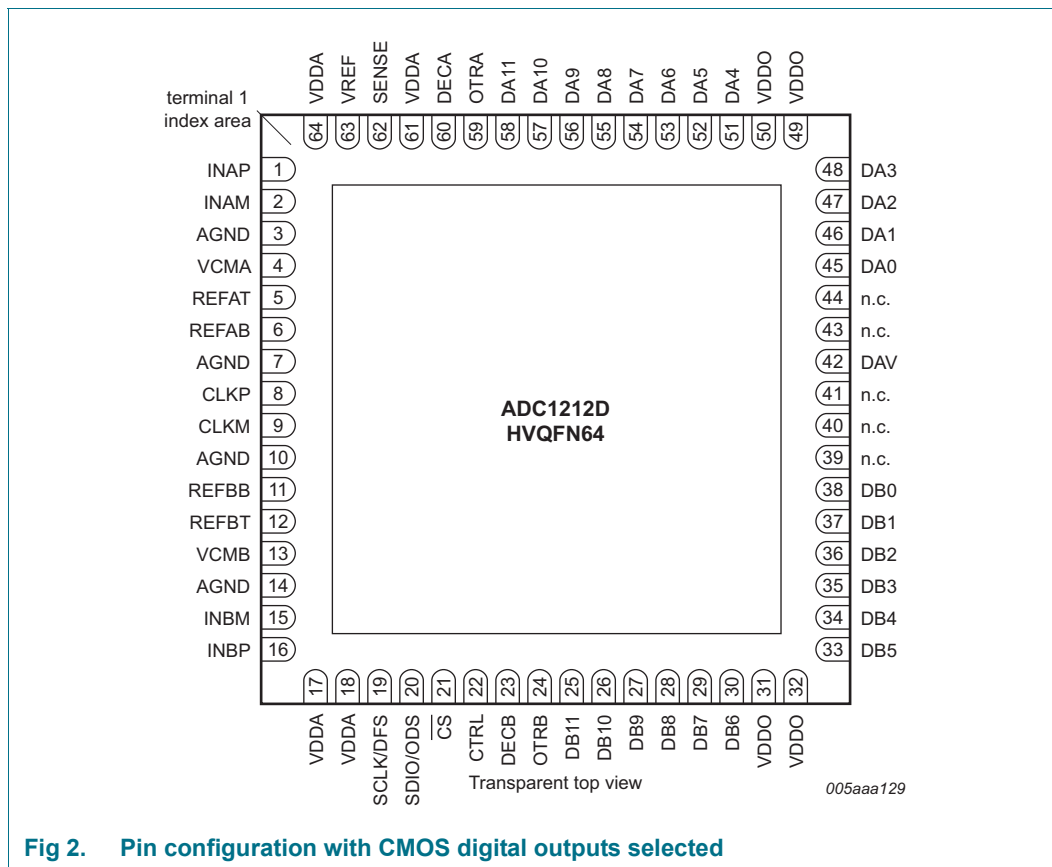


Fig 2. Pin configuration with CMOS digital outputs selected

#### 6.1.2 Pin description

Table 2. Pin description (CMOS digital outputs)

| Symbol | Pin | Type <sup>[1]</sup> | Description                           |
|--------|-----|---------------------|---------------------------------------|
| INAP   | 1   | I                   | analog input; channel A               |
| INAM   | 2   | I                   | complementary analog input; channel A |
| AGND   | 3   | G                   | analog ground                         |
| VCMA   | 4   | O                   | common-mode output voltage; channel A |
| REFAT  | 5   | O                   | top reference; channel A              |
| REFAB  | 6   | O                   | bottom reference; channel A           |
| AGND   | 7   | G                   | analog ground                         |
| CLKP   | 8   | I                   | clock input                           |
| CLKM   | 9   | I                   | complementary clock input             |
| AGND   | 10  | G                   | analog ground                         |
| REFBB  | 11  | O                   | bottom reference; channel B           |
| REFBT  | 12  | O                   | top reference; channel B              |

Table 2. Pin description (CMOS digital outputs) ...continued

| Symbol                 | Pin | Type <sup>[1]</sup> | Description  |
|------------------------|-----|---------------------|--|
| VCMB                   | 13  | O                   | common-mode output voltage; channel B                      |
| AGND                   | 14  | G                   | analog ground  |
| INBM                   | 15  | I                   | complementary analog input; channel B                      |
| INBP                   | 16  | I                   | analog input; channel B                                    |
| VDDA                   | 17  | P                   | analog power supply  |
| VDDA                   | 18  | P                   | analog power supply  |
| SCLK/DFS               | 19  | I                   | SPI clock/data format select                               |
| SDIO/ODS               | 20  | I/O                 | SPI data input/output/output data standard                 |
| $\overline{\text{CS}}$ | 21  | I                   | SPI chip select, active LOW                                |
| CTRL                   | 22  | I                   | control mode select  |
| DECB                   | 23  | O                   | regulator decoupling node; channel B                       |
| OTRB                   | 24  | O                   | out-of-range; channel B                                    |
| DB11                   | 25  | O                   | data output bit 11 (Most Significant Bit (MSB)); channel B |
| DB10                   | 26  | O                   | data output bit 10; channel B                              |
| DB9                    | 27  | O                   | data output bit 9; channel B                               |
| DB8                    | 28  | O                   | data output bit 8; channel B                               |
| DB7                    | 29  | O                   | data output bit 7; channel B                               |
| DB6                    | 30  | O                   | data output bit 6; channel B                               |
| VDDO                   | 31  | P                   | output power supply  |
| VDDO                   | 32  | P                   | output power supply  |
| DB5                    | 33  | O                   | data output bit 5; channel B                               |
| DB4                    | 34  | O                   | data output bit 4; channel B                               |
| DB3                    | 35  | O                   | data output bit 3; channel B                               |
| DB2                    | 36  | O                   | data output bit 2; channel B                               |
| DB1                    | 37  | O                   | data output bit 1; channel B                               |
| DB0                    | 38  | O                   | data output bit 0 (Least Significant Bit (LSB)); channel B |
| n.c.                   | 39  | -                   | not connected  |
| n.c.                   | 40  | -                   | not connected  |
| n.c.                   | 41  | -                   | not connected  |
| DAV                    | 42  | O                   | data valid output clock                                    |
| n.c.                   | 43  | -                   | not connected  |
| n.c.                   | 44  | -                   | not connected  |
| DA0                    | 45  | O                   | data output bit 0 (LSB); channel A                         |
| DA1                    | 46  | O                   | data output bit 1; channel A                               |
| DA2                    | 47  | O                   | data output bit 2; channel A                               |
| DA3                    | 48  | O                   | data output bit 3; channel A                               |
| VDDO                   | 49  | P                   | output power supply  |
| VDDO                   | 50  | P                   | output power supply  |
| DA4                    | 51  | O                   | data output bit 4; channel A                               |
| DA5                    | 52  | O                   | data output bit 5; channel A                               |
| DA6                    | 53  | O                   | data output bit 6; channel A                               |
| DA7                    | 54  | O                   | data output bit 7; channel A                               |
| DA8                    | 55  | O                   | data output bit 8; channel A                               |
| DA9                    | 56  | O                   | data output bit 9; channel A                               |

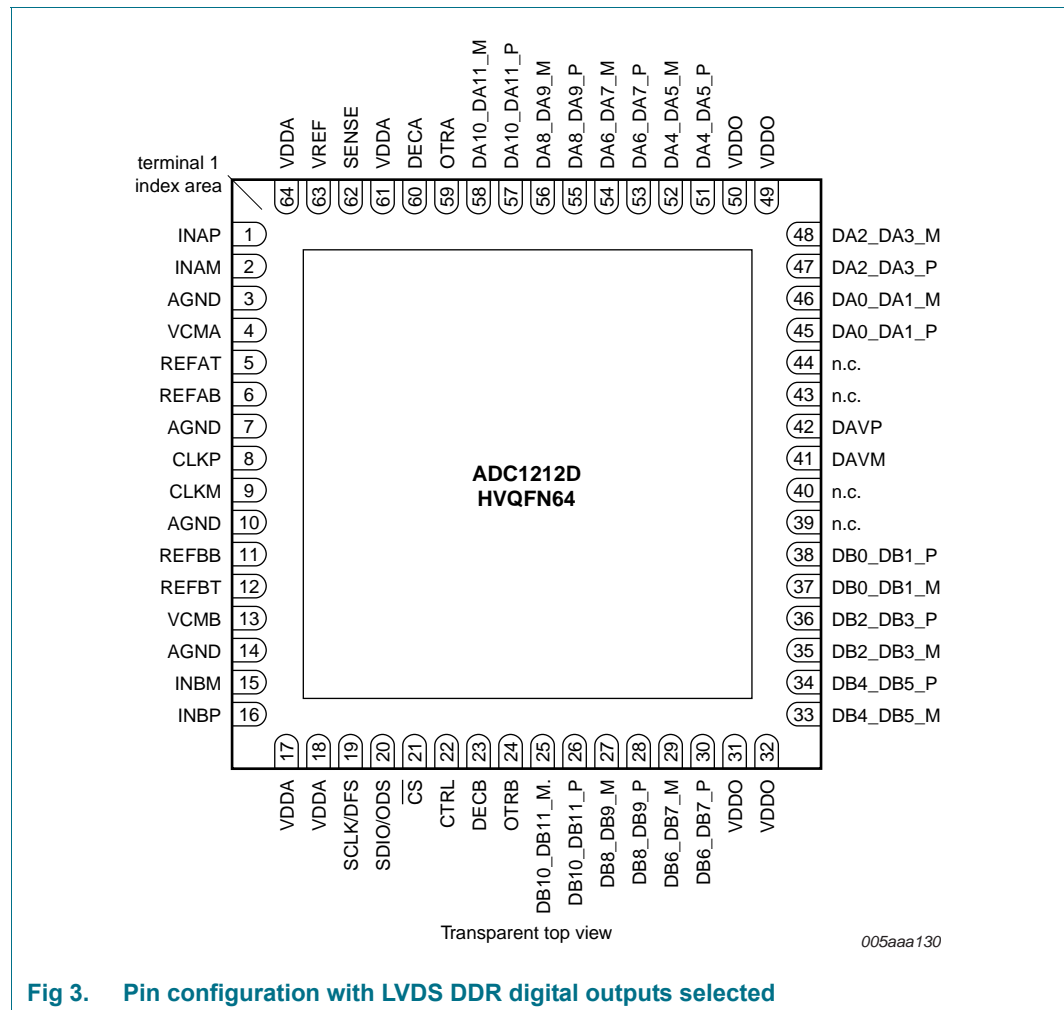
**Table 2. Pin description (CMOS digital outputs) ...continued**

| Symbol | Pin | Type <sup>[1]</sup> | Description                          |
|--------|-----|---------------------|--------------------------------------|
| DA10   | 57  | O                   | data output bit 10; channel A        |
| DA11   | 58  | O                   | data output bit 11 (MSB); channel A  |
| OTRA   | 59  | O                   | out-of-range; channel A              |
| DECA   | 60  | O                   | regulator decoupling node; channel A |
| VDDA   | 61  | P                   | analog power supply                  |
| SENSE  | 62  | I                   | reference programming pin            |
| VREF   | 63  | I/O                 | voltage reference input/output       |
| VDDA   | 64  | P                   | analog power supply                  |

[1] P: power supply; G: ground; I: input; O: output; I/O: input/output.

## 6.2 LVDS DDR outputs selected

### 6.2.1 Pinning



**Fig 3. Pin configuration with LVDS DDR digital outputs selected**

## 6.2.2 Pin description

**Table 3. Pin description (LVDS DDR) digital outputs**<sup>[1]</sup>

| Symbol      | Pin | Type <sup>[2]</sup> | Description  |
|-------------|-----|---------------------|--|
| DB10_DB11_M | 25  | O                   | differential output data DB10 and DB11 multiplexed, complement |
| DB10_DB11_P | 26  | O                   | differential output data DB10 and DB11 multiplexed, true       |
| DB8_DB9_M   | 27  | O                   | differential output data DB8 and DB9 multiplexed, complement   |
| DB8_DB9_P   | 28  | O                   | differential output data DB8 and DB9 multiplexed, true         |
| DB6_DB7_M   | 29  | O                   | differential output data DB6 and DB7 multiplexed, complement   |
| DB6_DB7_P   | 30  | O                   | differential output data DB6 and DB7 multiplexed, true         |
| DB4_DB5_M   | 33  | O                   | differential output data DB4 and DB5 multiplexed, complement   |
| DB4_DB5_P   | 34  | O                   | differential output data DB4 and DB5 multiplexed, true         |
| DB2_DB3_M   | 35  | O                   | differential output data DB2 and DB3 multiplexed, complement   |
| DB2_DB3_P   | 36  | O                   | differential output data DB2 and DB3 multiplexed, true         |
| DB0_DB1_M   | 37  | O                   | differential output data DB0 and DB1 multiplexed, complement   |
| DB0_DB1_P   | 38  | O                   | differential output data DB0 and DB1 multiplexed, true         |
| n.c.        | 39  | -                   | not connected  |
| n.c.        | 40  | -                   | not connected  |
| DAVM        | 41  | O                   | data valid output clock, complement                            |
| DAVP        | 42  | O                   | data valid output clock, true                                  |
| n.c.        | 43  | -                   | not connected  |
| n.c.        | 44  | -                   | not connected  |
| DA0_DA1_P   | 45  | O                   | differential output data DA0 and DA1 multiplexed, true         |
| DA0_DA1_M   | 46  | O                   | differential output data DA0 and DA1 multiplexed, complement   |
| DA2_DA3_P   | 47  | O                   | differential output data DA2 and DA3 multiplexed, true         |
| DA2_DA3_M   | 48  | O                   | differential output data DA2 and DA3 multiplexed, complement   |
| DA4_DA5_P   | 51  | O                   | differential output data DA4 and DA5 multiplexed, true         |
| DA4_DA5_M   | 52  | O                   | differential output data DA4 and DA5 multiplexed, complement   |
| DA6_DA7_P   | 53  | O                   | differential output data DA6 and DA7 multiplexed, true         |
| DA6_DA7_M   | 54  | O                   | differential output data DA6 and DA7 multiplexed, complement   |
| DA8_DA9_P   | 55  | O                   | differential output data DA8 and DA9 multiplexed, true         |
| DA8_DA9_M   | 56  | O                   | differential output data DA8 and DA9 multiplexed, complement   |
| DA10_DA11_P | 57  | O                   | differential output data DA10 and DA11 multiplexed, true       |
| DA10_DA11_M | 58  | O                   | differential output data DA10 and DA11 multiplexed, complement |

[1] Pins 1 to 24, pin 59 to 64 and pins 31, 32, 49 and 50 are the same for both CMOS and LVDS DDR outputs (see Table 2).

[2] P: power supply; G: ground; I: input; O: output; I/O: input/output.

## 7. Limiting values

**Table 4. Limiting values**

In accordance with the Absolute Maximum Rating System (IEC 60134).

| Symbol           | Parameter             | Conditions   | Min  | Max  | Unit |
|------------------|-----------------------|--|------|------|------|
| V <sub>O</sub>   | output voltage        | pins DA11 to DA0 and DB11 to DB0 or pins DA10_DA11_P to DA0_DA1_P, DA10_DA11_M to DA0_DA1_M, DB10_DB11_P to DB0_DB1_P and DB10_DB11_M to DB0_DB1_M | -0.4 | +3.9 | V    |
| V <sub>DDA</sub> | analog supply voltage |  | -0.4 | +3.9 | V    |
| V <sub>DDO</sub> | output supply voltage |  | -0.4 | +3.9 | V    |
| T <sub>stg</sub> | storage temperature   |  | -55  | +125 | °C   |
| T <sub>amb</sub> | ambient temperature   |  | -40  | +85  | °C   |
| T <sub>j</sub>   | junction temperature  |  | -    | 125  | °C   |

## 8. Thermal characteristics

**Table 5. Thermal characteristics**

| Symbol               | Parameter                                   | Conditions | Typ      | Unit |
|----------------------|---|------------|----------|------|
| R <sub>th(j-a)</sub> | thermal resistance from junction to ambient |            | [1] 15.6 | K/W  |
| R <sub>th(j-c)</sub> | thermal resistance from junction to case    |            | [1] 6.3  | K/W  |

[1] Value for six layers board in still air with a minimum of 64 thermal vias.

## 9. Static characteristics

**Table 6. Static characteristics<sup>[1]</sup>**

| Symbol           | Parameter             | Conditions  | Min  | Typ | Max | Unit |
|------------------|-----------------------|---|------|-----|-----|------|
| <b>Supplies</b>  |                       |   |      |     |     |      |
| V <sub>DDA</sub> | analog supply voltage |   | 2.85 | 3.0 | 3.4 | V    |
| V <sub>DDO</sub> | output supply voltage | CMOS mode   | 1.65 | 1.8 | 3.6 | V    |
|                  |                       | LVDS DDR mode   | 2.85 | 3.0 | 3.6 | V    |
| I <sub>DDA</sub> | analog supply current | f <sub>clk</sub> = 125 Msps; f <sub>i</sub> = 70 MHz                | -    | 400 | -   | mA   |
| I <sub>DDO</sub> | output supply current | CMOS mode; f <sub>clk</sub> = 125 Msps; f <sub>i</sub> = 70 MHz     | -    | 16  | -   | mA   |
|                  |                       | LVDS DDR mode: f <sub>clk</sub> = 125 Msps; f <sub>i</sub> = 70 MHz | -    | 82  | -   | mA   |

Table 6. Static characteristics<sup>[1]</sup> ...continued

| Symbol   | Parameter                        | Conditions                         | Min                 | Typ                 | Max                 | Unit          |
|--|----------------------------------|------------------------------------|---------------------|---------------------|---------------------|---------------|
| P  | power dissipation                | ADC1212D125;<br>analog supply only | -                   | 1230                | -                   | mW            |
|  |                                  | ADC1212D105;<br>analog supply only | -                   | 1120                | -                   | mW            |
|  |                                  | ADC1212D080;<br>analog supply only | -                   | 855                 | -                   | mW            |
|  |                                  | ADC1212D065;<br>analog supply only | -                   | 780                 | -                   | mW            |
|  |                                  | Power-down mode                    | -                   | 24                  | -                   | mW            |
|  |                                  | Sleep mode                         | -                   | 80                  | -                   | mW            |
| <b>Clock inputs: pins CLKP and CLKM</b>  |                                  |                                    |                     |                     |                     |               |
| <b>LVPECL</b>  |                                  |                                    |                     |                     |                     |               |
| $V_{i(\text{clk})\text{dif}}$  | differential clock input voltage | peak-to-peak                       | -                   | $\pm 1.6$           | -                   | V             |
| <b>Sine</b>  |                                  |                                    |                     |                     |                     |               |
| $V_{i(\text{clk})\text{dif}}$  | differential clock input voltage | peak-to-peak                       | $\pm 0.8$           | $\pm 3.0$           | -                   | V             |
| <b>LVC MOS</b>   |                                  |                                    |                     |                     |                     |               |
| $V_{\text{IL}}$  | LOW-level input voltage          |                                    | -                   | -                   | $0.3V_{\text{DDA}}$ | V             |
| $V_{\text{IH}}$  | HIGH-level input voltage         |                                    | $0.7V_{\text{DDA}}$ | -                   | -                   | V             |
| <b>Logic input: pin CTRL</b>   |                                  |                                    |                     |                     |                     |               |
| $V_{\text{IL}}$  | LOW-level input voltage          | LOW-medium level                   | -                   | $0.3V_{\text{DDA}}$ | -                   | V             |
|  |                                  | medium-HIGH level                  | -                   | $0.6V_{\text{DDA}}$ | -                   | V             |
|  |                                  |                                    | -                   | 0                   | -                   | V             |
| $V_{\text{IH}}$  | HIGH-level input voltage         |                                    | -                   | $V_{\text{DDA}}$    | -                   | V             |
| $I_{\text{IL}}$  | LOW-level input current          |                                    | -10                 | -                   | +10                 | $\mu\text{A}$ |
| $I_{\text{IH}}$  | HIGH-level input current         |                                    | -10                 | -                   | +10                 | $\mu\text{A}$ |
| <b>Serial peripheral interface: pins CS, SDIO/ODS, SCLK/DFS</b>                      |                                  |                                    |                     |                     |                     |               |
| $V_{\text{IL}}$  | LOW-level input voltage          |                                    | 0                   | -                   | $0.3V_{\text{DDA}}$ | V             |
| $V_{\text{IH}}$  | HIGH-level input voltage         |                                    | $0.7V_{\text{DDA}}$ | -                   | $V_{\text{DDA}}$    | V             |
| $I_{\text{IL}}$  | LOW-level input current          |                                    | -10                 | -                   | +10                 | $\mu\text{A}$ |
| $I_{\text{IH}}$  | HIGH-level input current         |                                    | -50                 | -                   | +50                 | $\mu\text{A}$ |
| $C_{\text{I}}$   | input capacitance                |                                    | -                   | 4                   | -                   | pF            |
| <b>Digital outputs, CMOS mode: pins DA11 to DA0, DB11 to DB0, OTRA, OTRB and DAV</b> |                                  |                                    |                     |                     |                     |               |
| <b>Output levels, <math>V_{\text{DDO}} = 3\text{ V}</math></b>                       |                                  |                                    |                     |                     |                     |               |
| $V_{\text{OL}}$  | LOW-level output voltage         |                                    | AGND                | -                   | $0.2V_{\text{DDO}}$ | V             |
| $V_{\text{OH}}$  | HIGH-level output voltage        |                                    | $0.8V_{\text{DDO}}$ | -                   | $V_{\text{DDO}}$    | V             |
| $C_{\text{O}}$   | output capacitance               | high impedance; see Table 10       | -                   | 3                   | -                   | pF            |
| <b>Output levels, <math>V_{\text{DDO}} = 1.8\text{ V}</math></b>                     |                                  |                                    |                     |                     |                     |               |
| $V_{\text{OL}}$  | LOW-level output voltage         |                                    | AGND                | -                   | $0.2V_{\text{DDO}}$ | V             |
| $V_{\text{OH}}$  | HIGH-level output voltage        |                                    | $0.8V_{\text{DDO}}$ | -                   | $V_{\text{DDO}}$    | V             |



Table 6. Static characteristics<sup>[1]</sup> ...continued

| Symbol  | Parameter                        | Conditions                                     | Min   | Typ          | Max   | Unit          |
|---|----------------------------------|--|-------|--------------|-------|---------------|
| <b>Digital outputs, LVDS DDR mode: pins DA10_DA11_P to DA0_DA1_P, DA10_DA11_M to DA0_DA1_M, DB10_DB11_P to DB0_DB1_P, DB10_DB11_M to DB0_DB1_M; DAVP and DAVM</b> |                                  |  |       |              |       |               |
| Output levels, $V_{DDO} = 3\text{ V}$ only, $R_L = 100\ \Omega$   |                                  |  |       |              |       |               |
| $V_{O(\text{offset})}$  | output offset voltage            | output buffer current set to 3.5 mA            | -     | 1.2          | -     | V             |
| $V_{O(\text{dif})}$   | differential output voltage      | output buffer current set to 3.5 mA            | -     | 350          | -     | mV            |
| $C_O$   | output capacitance               |  | -     | 3            | -     | pF            |
| <b>Analog inputs: pins INAP, INAM, INBP and INBM</b>  |                                  |  |       |              |       |               |
| $I_I$   | input current                    |  | -5    | -            | +5    | $\mu\text{A}$ |
| $R_I$   | input resistance                 |  | -     | 19.8         | -     | k $\Omega$    |
| $C_I$   | input capacitance                |  | -     | 2.8          | -     | pF            |
| $V_{I(\text{cm})}$  | common-mode input voltage        | $V_{INAP} = V_{INAM}$ ; $V_{INBP} = V_{INBM}$  | 0.9   | 1.5          | 2     | V             |
| $B_I$   | input bandwidth                  |  | -     | 600          | -     | MHz           |
| $V_{I(\text{dif})}$   | differential input voltage       | peak-to-peak                                   | 1     | -            | 2     | V             |
| <b>Common-mode output voltage: pins VCMA and VCMB</b>   |                                  |  |       |              |       |               |
| $V_{O(\text{cm})}$  | common-mode output voltage       |  | -     | $0.5V_{DDA}$ | -     | V             |
| $I_{O(\text{cm})}$  | common-mode output current       |  | -     | 4            | -     | mA            |
| <b>I/O reference voltage: pin VREF</b>  |                                  |  |       |              |       |               |
| $V_{VREF}$  | voltage on pin VREF              | output   | -     | 0.5 to 1     | -     | V             |
|   |                                  | input  | 0.5   | -            | 1     | V             |
| <b>Accuracy</b>   |                                  |  |       |              |       |               |
| INL   | integral non-linearity           |  | -1.25 | $\pm 0.25$   | +5    | LSB           |
| DNL   | differential non-linearity       | guaranteed no missing codes                    | -0.95 | $\pm 0.5$    | +0.95 | LSB           |
| $E_{\text{offset}}$   | offset error                     |  | -     | $\pm 2$      | -     | mV            |
| $E_G$   | gain error                       |  | -     | $\pm 0.5$    | -     | %FS           |
| $M_{G(\text{CTC})}$   | channel-to-channel gain matching |  | -     | 1.1          | -     | %             |
| <b>Supply</b>   |                                  |  |       |              |       |               |
| PSRR  | power supply rejection ratio     | 200 mV (p-p) on pin VDDA;<br>$f_i = \text{DC}$ | -     | -37          | -     | dB            |

[1] Typical values measured at  $V_{DDA} = 3\text{ V}$ ,  $V_{DDO} = 1.8\text{ V}$ ,  $T_{\text{amb}} = 25\text{ }^\circ\text{C}$ ; minimum and maximum values are across the full temperature range  $T_{\text{amb}} = -40\text{ }^\circ\text{C}$  to  $+85\text{ }^\circ\text{C}$  at  $V_{DDA} = 3\text{ V}$ ,  $V_{DDO} = 1.8\text{ V}$ ;  $V_{INAP} - V_{INAM} = -1\text{ dBFS}$ ;  $V_{INBP} - V_{INBM} = -1\text{ dBFS}$ ; internal reference mode; applied to CMOS and LVDS interface; unless otherwise specified.

## 10. Dynamic characteristics

### 10.1 Dynamic characteristics

Table 7. Characteristics<sup>[1]</sup>

| Symbol                          | Parameter                   | Conditions      | ADC1212D065 |      |     | ADC1212D080 |      |     | ADC1212D105 |      |     | ADC1212D125 |      |     | Unit |
|---------------------------------|-----------------------------|-----------------|-------------|------|-----|-------------|------|-----|-------------|------|-----|-------------|------|-----|------|
|                                 |                             |                 | Min         | Typ  | Max | Min         | Typ  | Max | Min         | Typ  | Max | Min         | Typ  | Max |      |
| <b>Analog signal processing</b> |                             |                 |             |      |     |             |      |     |             |      |     |             |      |     |      |
| $\alpha_{2H}$                   | second harmonic level       | $f_i = 3$ MHz   | -           | 87   | -   | -           | 87   | -   | -           | 86   | -   | -           | 88   | -   | dBc  |
|                                 |                             | $f_i = 30$ MHz  | -           | 86   | -   | -           | 86   | -   | -           | 86   | -   | -           | 87   | -   | dBc  |
|                                 |                             | $f_i = 70$ MHz  | -           | 85   | -   | -           | 85   | -   | -           | 84   | -   | -           | 85   | -   | dBc  |
|                                 |                             | $f_i = 170$ MHz | -           | 82   | -   | -           | 82   | -   | -           | 81   | -   | -           | 83   | -   | dBc  |
| $\alpha_{3H}$                   | third harmonic level        | $f_i = 3$ MHz   | -           | 86   | -   | -           | 86   | -   | -           | 85   | -   | -           | 87   | -   | dBc  |
|                                 |                             | $f_i = 30$ MHz  | -           | 85   | -   | -           | 85   | -   | -           | 85   | -   | -           | 86   | -   | dBc  |
|                                 |                             | $f_i = 70$ MHz  | -           | 84   | -   | -           | 84   | -   | -           | 83   | -   | -           | 84   | -   | dBc  |
|                                 |                             | $f_i = 170$ MHz | -           | 81   | -   | -           | 81   | -   | -           | 80   | -   | -           | 82   | -   | dBc  |
| THD                             | total harmonic distortion   | $f_i = 3$ MHz   | -           | 83   | -   | -           | 83   | -   | -           | 82   | -   | -           | 84   | -   | dBc  |
|                                 |                             | $f_i = 30$ MHz  | -           | 82   | -   | -           | 82   | -   | -           | 82   | -   | -           | 83   | -   | dBc  |
|                                 |                             | $f_i = 70$ MHz  | -           | 81   | -   | -           | 81   | -   | -           | 80   | -   | -           | 81   | -   | dBc  |
|                                 |                             | $f_i = 170$ MHz | -           | 78   | -   | -           | 78   | -   | -           | 77   | -   | -           | 79   | -   | dBc  |
| ENOB                            | effective number of bits    | $f_i = 3$ MHz   | -           | 11.3 | -   | -           | 11.3 | -   | -           | 11.3 | -   | -           | 11.3 | -   | Bits |
|                                 |                             | $f_i = 30$ MHz  | -           | 11.3 | -   | -           | 11.3 | -   | -           | 11.3 | -   | -           | 11.2 | -   | Bits |
|                                 |                             | $f_i = 70$ MHz  | -           | 11.2 | -   | -           | 11.2 | -   | -           | 11.2 | -   | -           | 11.2 | -   | Bits |
|                                 |                             | $f_i = 170$ MHz | -           | 11.1 | -   | -           | 11.1 | -   | -           | 11.1 | -   | -           | 11.1 | -   | Bits |
| SNR                             | signal-to-noise ratio       | $f_i = 3$ MHz   | -           | 70.0 | -   | -           | 69.9 | -   | -           | 69.8 | -   | -           | 69.6 | -   | dBFS |
|                                 |                             | $f_i = 30$ MHz  | -           | 69.5 | -   | -           | 69.5 | -   | -           | 69.5 | -   | -           | 69.4 | -   | dBFS |
|                                 |                             | $f_i = 70$ MHz  | -           | 69.2 | -   | -           | 69.2 | -   | -           | 69.1 | -   | -           | 69.0 | -   | dBFS |
|                                 |                             | $f_i = 170$ MHz | -           | 68.8 | -   | -           | 68.8 | -   | -           | 68.7 | -   | -           | 68.6 | -   | dBFS |
| SFDR                            | spurious-free dynamic range | $f_i = 3$ MHz   | -           | 86   | -   | -           | 86   | -   | -           | 85   | -   | -           | 87   | -   | dBc  |
|                                 |                             | $f_i = 30$ MHz  | -           | 85   | -   | -           | 85   | -   | -           | 85   | -   | -           | 86   | -   | dBc  |
|                                 |                             | $f_i = 70$ MHz  | -           | 84   | -   | -           | 84   | -   | -           | 83   | -   | -           | 84   | -   | dBc  |
|                                 |                             | $f_i = 170$ MHz | -           | 81   | -   | -           | 81   | -   | -           | 80   | -   | -           | 82   | -   | dBc  |

**Table 7. Characteristics<sup>[1]</sup> ...continued**

| Symbol            | Parameter                  | Conditions              | ADC1212D065 |     |     | ADC1212D080 |     |     | ADC1212D105 |     |     | ADC1212D125 |     |     | Unit |
|-------------------|----------------------------|-------------------------|-------------|-----|-----|-------------|-----|-----|-------------|-----|-----|-------------|-----|-----|------|
|                   |                            |                         | Min         | Typ | Max | Min         | Typ | Max | Min         | Typ | Max | Min         | Typ | Max |      |
| IMD               | intermodulation distortion | $f_i = 3 \text{ MHz}$   | -           | 89  | -   | -           | 89  | -   | -           | 88  | -   | -           | 89  | -   | dBc  |
|                   |                            | $f_i = 30 \text{ MHz}$  | -           | 88  | -   | -           | 88  | -   | -           | 88  | -   | -           | 88  | -   | dBc  |
|                   |                            | $f_i = 70 \text{ MHz}$  | -           | 87  | -   | -           | 87  | -   | -           | 86  | -   | -           | 86  | -   | dBc  |
|                   |                            | $f_i = 170 \text{ MHz}$ | -           | 84  | -   | -           | 85  | -   | -           | 83  | -   | -           | 84  | -   | dBc  |
| $\alpha_{ct(ch)}$ | channel crosstalk          | $f_i = 70 \text{ MHz}$  | -           | 100 | -   | -           | 100 | -   | -           | 100 | -   | -           | 100 | -   | dBc  |

[1] Typical values measured at  $V_{DDA} = 3 \text{ V}$ ,  $V_{DDO} = 1.8 \text{ V}$ ,  $T_{amb} = 25 \text{ }^\circ\text{C}$ ; minimum and maximum values are across the full temperature range  $T_{amb} = -40 \text{ }^\circ\text{C}$  to  $+85 \text{ }^\circ\text{C}$  at  $V_{DDA} = 3 \text{ V}$ ,  $V_{DDO} = 1.8 \text{ V}$ ;  $V_{INAP} - V_{INAM} = -1 \text{ dBFS}$ ;  $V_{INBP} - V_{INBM} = -1 \text{ dBFS}$ ; internal reference mode; applied to CMOS and LVDS interface; unless otherwise specified.

## 10.2 Clock and digital output timing

**Table 8. Clock and digital output timing characteristics<sup>[1]</sup>**

| Symbol   | Parameter           | Conditions | ADC1212D065 |     |     | ADC1212D080 |     |     | ADC1212D105 |     |     | ADC1212D125 |     |     | Unit          |
|--|---------------------|------------|-------------|-----|-----|-------------|-----|-----|-------------|-----|-----|-------------|-----|-----|---------------|
|  |                     |            | Min         | Typ | Max | Min         | Typ | Max | Min         | Typ | Max | Min         | Typ | Max |               |
| <b>Clock timing input: pins CLKP and CLKM</b>                  |                     |            |             |     |     |             |     |     |             |     |     |             |     |     |               |
| $f_{clk}$  | clock frequency     |            | 20          | -   | 65  | 60          | -   | 80  | 75          | -   | 105 | 100         | -   | 125 | MHz           |
| $t_{lat(data)}$  | data latency time   |            | -           | 14  | -   | -           | 14  | -   | -           | 14  | -   | -           | 14  | -   | clock cycles  |
| $\delta_{clk}$   | clock duty cycle    | DCS_EN = 1 | 30          | 50  | 70  | 30          | 50  | 70  | 30          | 50  | 70  | 30          | 50  | 70  | %             |
|  |                     | DCS_EN = 0 | 45          | 50  | 55  | 45          | 50  | 55  | 45          | 50  | 55  | 45          | 50  | 55  | %             |
| $t_{d(s)}$   | sampling delay time |            | -           | 0.8 | -   | -           | 0.8 | -   | -           | 0.8 | -   | -           | 0.8 | -   | ns            |
| $t_{wake}$   | wake-up time        |            | -           | 76  | -   | -           | 76  | -   | -           | 76  | -   | -           | 76  | -   | $\mu\text{s}$ |
| <b>CMOS mode timing: pins DA11 to DA0, DB13 to DB0 and DAV</b> |                     |            |             |     |     |             |     |     |             |     |     |             |     |     |               |
| $t_{PD}$   | propagation delay   | DATA       | -           | 3.9 | -   | -           | 3.9 | -   | -           | 3.9 | -   | -           | 3.9 | -   | ns            |
|  |                     | DAV        | -           | 4.2 | -   | -           | 4.2 | -   | -           | 4.2 | -   | -           | 4.2 | -   | ns            |
| $t_{su}$   | set-up time         |            | -           | 8.6 | -   | -           | 7.4 | -   | -           | 6.1 | -   | -           | 5.7 | -   | ns            |
| $t_h$  | hold time           |            | -           | 4.8 | -   | -           | 3.4 | -   | -           | 1.8 | -   | -           | 1.4 | -   | ns            |
| $t_r$  | rise time           | DATA       | 0.5         | -   | 2.4 | 0.5         | -   | 2.4 | 0.5         | -   | 2.4 | 0.5         | -   | 2.4 | ns            |
|  |                     | DAV        | 0.5         | -   | 2.4 | 0.5         | -   | 2.4 | 0.5         | -   | 2.4 | 0.5         | -   | 2.4 | ns            |
| $t_f$  | fall time           | DATA       | 0.5         | -   | 2.4 | 0.5         | -   | 2.4 | 0.5         | -   | 2.4 | 0.5         | -   | 2.4 | $\mu\text{s}$ |

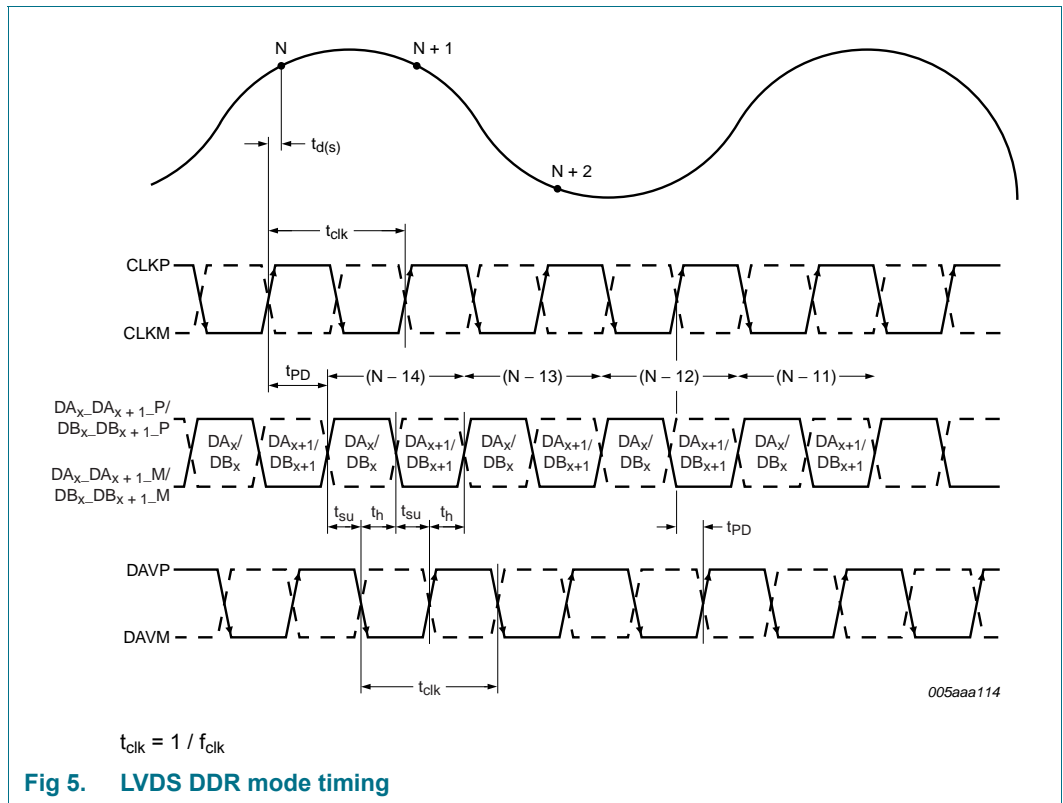
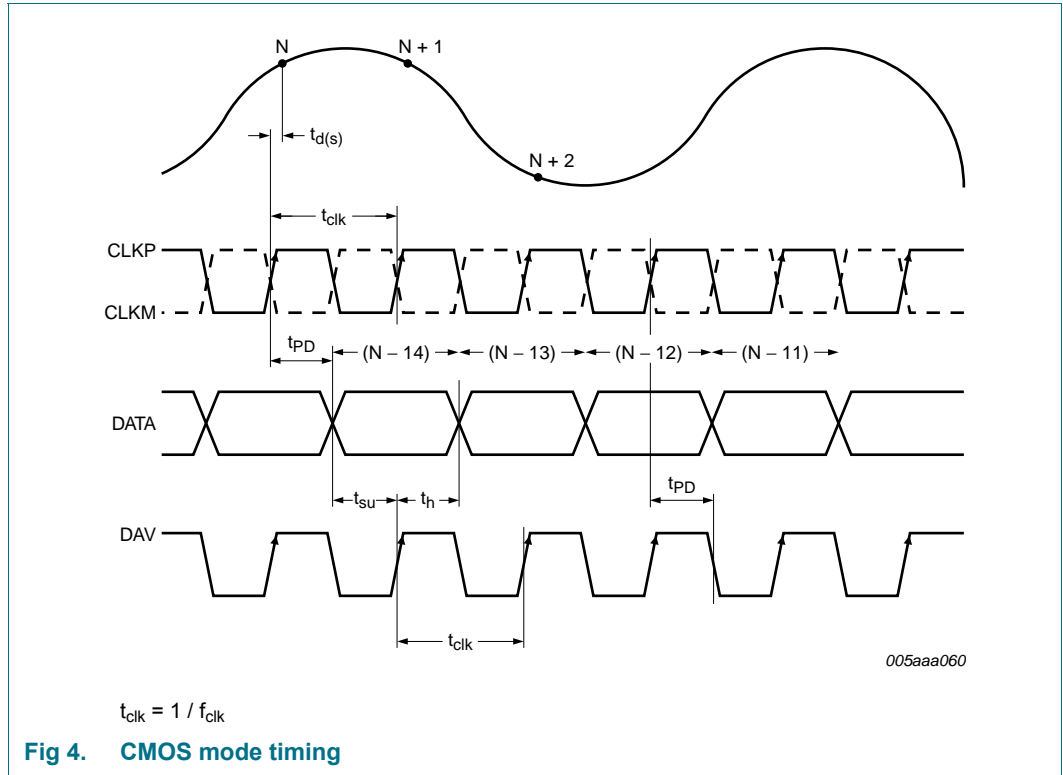
Table 8. Clock and digital output timing characteristics<sup>[1]</sup> ...continued

| Symbol   | Parameter         | Conditions          | ADC1212D065 |     |     | ADC1212D080 |     |     | ADC1212D105 |     |     | ADC1212D125 |     |     | Unit |
|--|-------------------|---------------------|-------------|-----|-----|-------------|-----|-----|-------------|-----|-----|-------------|-----|-----|------|
|  |                   |                     | Min         | Typ | Max | Min         | Typ | Max | Min         | Typ | Max | Min         | Typ | Max |      |
| LVDS DDR mode timing: pins DA10_DA11_P to DA0_DA1_P, DA10_DA11_M to DA0_DA1_M, DB10_DB11_P to DB0_DB1_P, DB10_DB11_M to DB0_DB1_M; DAVP and DAVM |                   |                     |             |     |     |             |     |     |             |     |     |             |     |     |      |
| t <sub>PD</sub>  | propagation delay | DATA                | -           | 3.9 | -   | -           | 3.9 | -   | -           | 3.9 | -   | -           | 3.9 | -   | ns   |
|  |                   | DAV                 | -           | 4.2 | -   | -           | 4.2 | -   | -           | 4.2 | -   | -           | 4.2 | -   | ns   |
| t <sub>su</sub>  | set-up time       |                     | -           | 5.1 | -   | -           | 3.5 | -   | -           | 2.1 | -   | -           | 1.4 | -   | ns   |
| t <sub>h</sub>   | hold time         |                     | -           | 2.0 | -   | -           | 2.0 | -   | -           | 2.0 | -   | -           | 2.0 | -   | ns   |
| t <sub>r</sub>   | rise time         | DATA <sup>[3]</sup> | 50          | 100 | 200 | 50          | 100 | 200 | 50          | 100 | 200 | 50          | 100 | 200 | ps   |
|  |                   | DAV                 | 50          | 100 | 200 | 50          | 100 | 200 | 50          | 100 | 200 | 50          | 100 | 200 | ps   |
| t <sub>f</sub>   | fall time         | DATA <sup>[3]</sup> | 50          | 100 | 200 | 50          | 100 | 200 | 50          | 100 | 200 | 50          | 100 | 200 | ps   |
|  |                   | DAV                 | 50          | 100 | 200 | 50          | 100 | 200 | 50          | 100 | 200 | 50          | 100 | 200 | ps   |

[1] Typical values measured at V<sub>DDA</sub> = 3 V, V<sub>DDO</sub> = 1.8 V, T<sub>amb</sub> = 25 °C; minimum and maximum values are across the full temperature range T<sub>amb</sub> = -40 °C to +85 °C at V<sub>DDA</sub> = 3 V, V<sub>DDO</sub> = 1.8 V; V<sub>INAP</sub> - V<sub>INAM</sub> = -1 dBFS; V<sub>INBP</sub> - V<sub>INBM</sub> = -1 dBFS; unless otherwise specified.

[2] Measured between 20 % to 80 % of V<sub>DDO</sub>.

[3] Rise time measured from -50 mV to +50 mV; fall time measured from +50 mV to -50 mV.



10.3 SPI timings

Table 9. Characteristics [1]

| Symbol         | Parameter               | Conditions                   | Min | Typ | Max | Unit |
|----------------|-------------------------|------------------------------|-----|-----|-----|------|
| $t_{w(SCLK)}$  | SCLK pulse width        |                              | -   | 40  | -   | ns   |
| $t_{w(SCLKH)}$ | SCLK HIGH pulse width   |                              | -   | 16  | -   | ns   |
| $t_{w(SCLKL)}$ | SCLK LOW pulse width    |                              | -   | 16  | -   | ns   |
| $t_{su}$       | set-up time             | data to SCLK HIGH            | -   | 5   | -   | ns   |
|                |                         | $\overline{CS}$ to SCLK HIGH | -   | 5   | -   | ns   |
| $t_h$          | hold time               | data to SCLK HIGH            | -   | 2   | -   | ns   |
|                |                         | $\overline{CS}$ to SCLK HIGH | -   | 2   | -   | ns   |
| $f_{clk(max)}$ | maximum clock frequency |                              | -   | 25  | -   | MHz  |

[1] Typical values measured at  $V_{DDA} = 3\text{ V}$ ,  $V_{DDO} = 1.8\text{ V}$ ,  $T_{amb} = 25\text{ }^\circ\text{C}$  and  $C_L = 5\text{ pF}$ ; minimum and maximum values are across the full temperature range  $T_{amb} = -40\text{ }^\circ\text{C}$  to  $+85\text{ }^\circ\text{C}$  at  $V_{DDA} = 3\text{ V}$ ,  $V_{DDO} = 1.8\text{ V}$ .

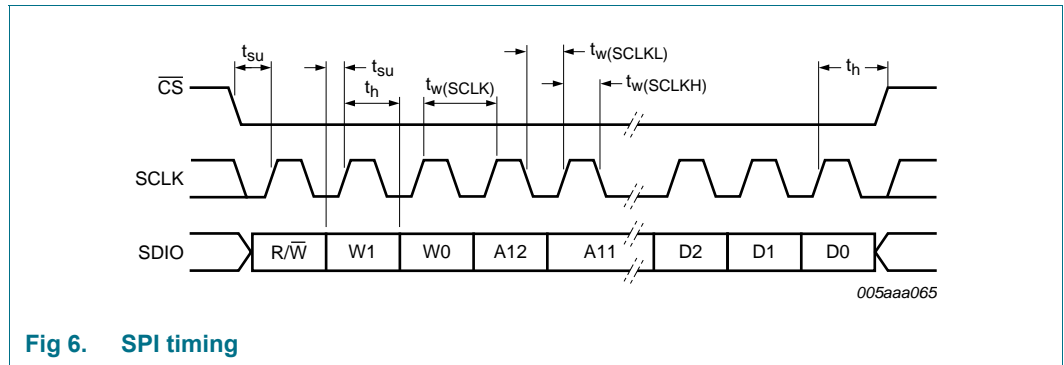


Fig 6. SPI timing

10.4 Typical characteristics

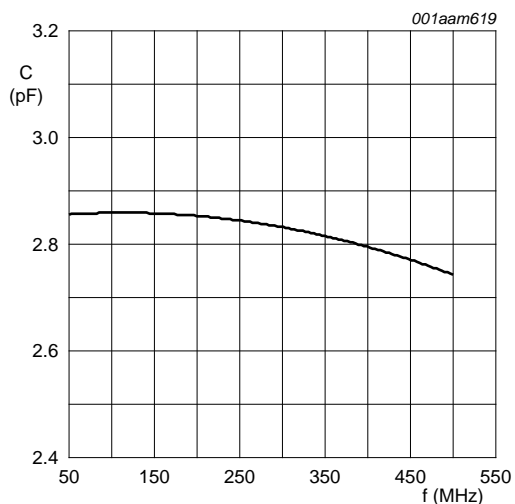


Fig 7. Capacitance as a function of frequency

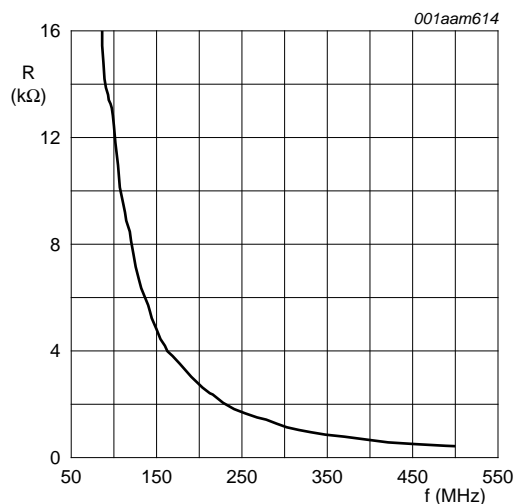
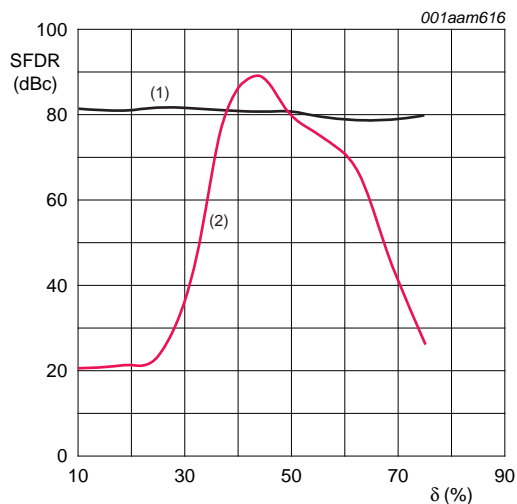
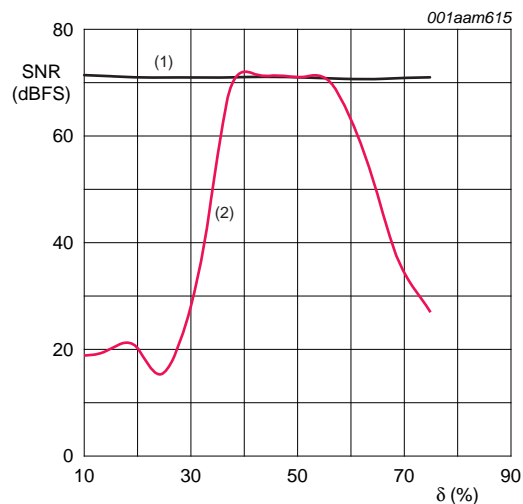


Fig 8. Resistance as a function of frequency



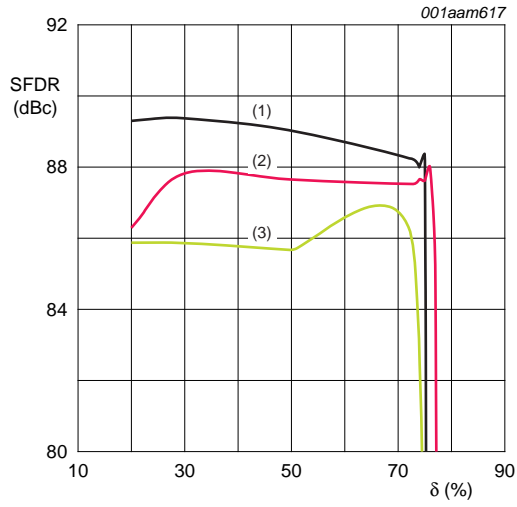
T = 25 °C; V<sub>DD</sub> = 3 V; f<sub>i</sub> = 170 MHz; f<sub>s</sub> = 125 Msps  
 (1) DCS on  
 (2) DCS off

Fig 9. SFDR as a function of duty cycle (δ)



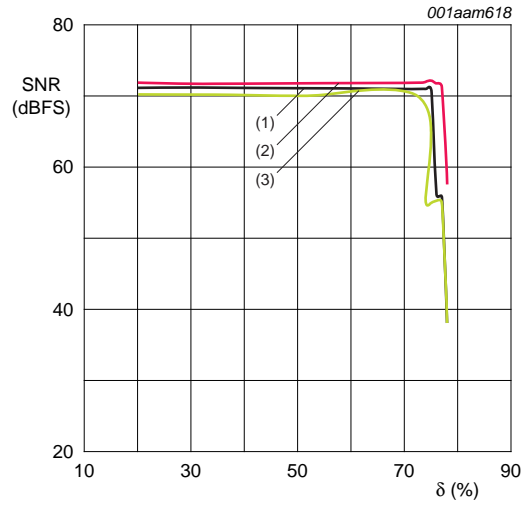
T = 25 °C; V<sub>DD</sub> = 3 V; f<sub>i</sub> = 170 MHz; f<sub>s</sub> = 125 Msps  
 (1) DCS on  
 (2) DCS off

Fig 10. SNR as a function of duty cycle (δ)



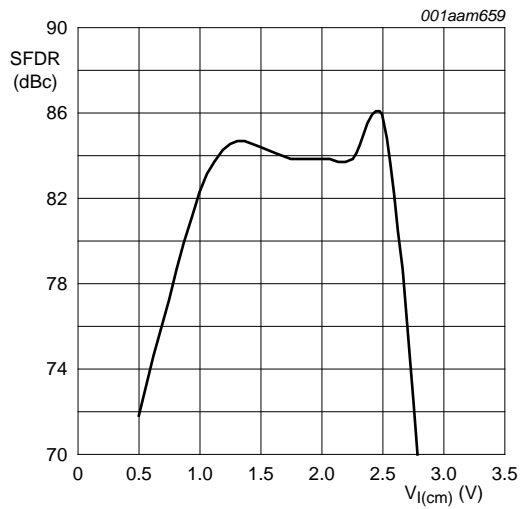
- (1)  $T_{amb} = -40\text{ }^{\circ}\text{C}$ /typical supply voltages
- (2)  $T_{amb} = +25\text{ }^{\circ}\text{C}$ /typical supply voltages
- (3)  $T_{amb} = +90\text{ }^{\circ}\text{C}$ /typical supply voltages

**Fig 11. SFDR as a function of duty cycle ( $\delta$ )**

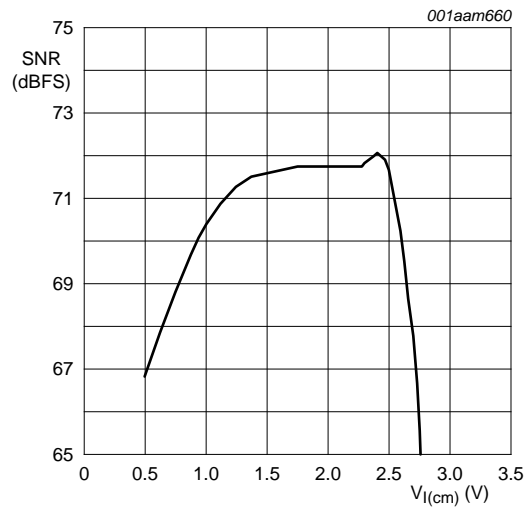


- (1)  $T_{amb} = -40\text{ }^{\circ}\text{C}$ /typical supply voltages
- (2)  $T_{amb} = +25\text{ }^{\circ}\text{C}$ /typical supply voltages
- (3)  $T_{amb} = +90\text{ }^{\circ}\text{C}$ /typical supply voltages

**Fig 12. SNR as a function of duty cycle ( $\delta$ )**



**Fig 13. SFDR as a function of common-mode input voltage ( $V_{I(cm)}$ )**



**Fig 14. SNR as a function of common-mode input voltage ( $V_{I(cm)}$ )**



## 11. Application information

### 11.1 Device control

The ADC1212D can be controlled via the Serial Peripheral Interface (SPI control mode) or directly via the I/O pins (Pin control mode).

#### 11.1.1 SPI and Pin control modes

The device enters Pin control mode at power-up and remains in this mode as long as pin  $\overline{CS}$  is held HIGH. In Pin control mode, the SPI pins SDIO,  $\overline{CS}$  and SCLK are used as static control pins.

SPI control mode is enabled by forcing pin  $\overline{CS}$  LOW. Once SPI control mode has been enabled, the device remains in this mode. The transition from Pin control mode to SPI control mode is illustrated in Figure 15.

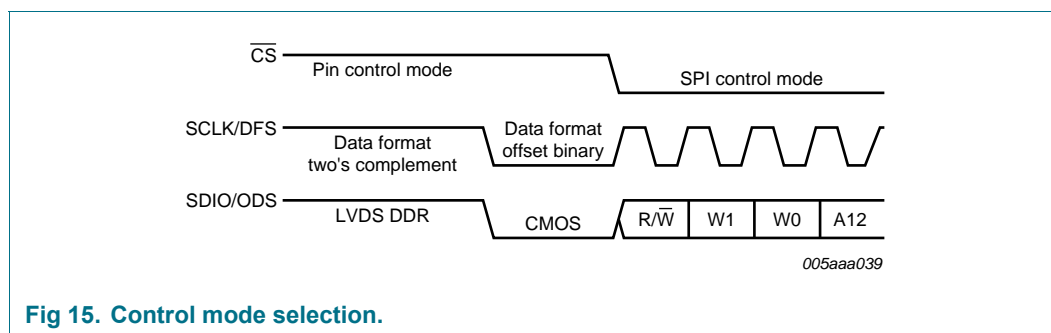


Fig 15. Control mode selection.

When the device enters SPI control mode, the output data standard and data format are determined by the level on pin SDIO as soon as a transition is triggered by a falling edge on  $\overline{CS}$ .

#### 11.1.2 Operating mode selection

The active ADC1212D operating mode (Power-up, Power-down or Sleep) can be selected via the SPI interface (see Table 21) or by using pin CTRL in Pin control mode, as described in Table 10.

Table 10. Operating mode selection via pin CTRL

| Pin CTRL     | Operating mode | Output high-Z |
|--------------|----------------|---------------|
| 0            | Power-down     | yes           |
| $0.3V_{DDA}$ | Sleep          | yes           |
| $0.6V_{DDA}$ | Power-up       | yes           |
| $V_{DDA}$    | Power-up       | no            |

#### 11.1.3 Selecting the output data standard

The output data standard (CMOS or LVDS DDR) can be selected via the SPI interface (see Table 24) or by using pin ODS in Pin control mode. LVDS DDR is selected when ODS is HIGH, otherwise CMOS is selected.

### 11.1.4 Selecting the output data format

The output data format can be selected via the SPI interface (offset binary, two's complement or gray code; see Table 24) or by using pin DFS in Pin control mode (offset binary or two's complement). Offset binary is selected when DFS is LOW. When DFS is HIGH, two's complement is selected.

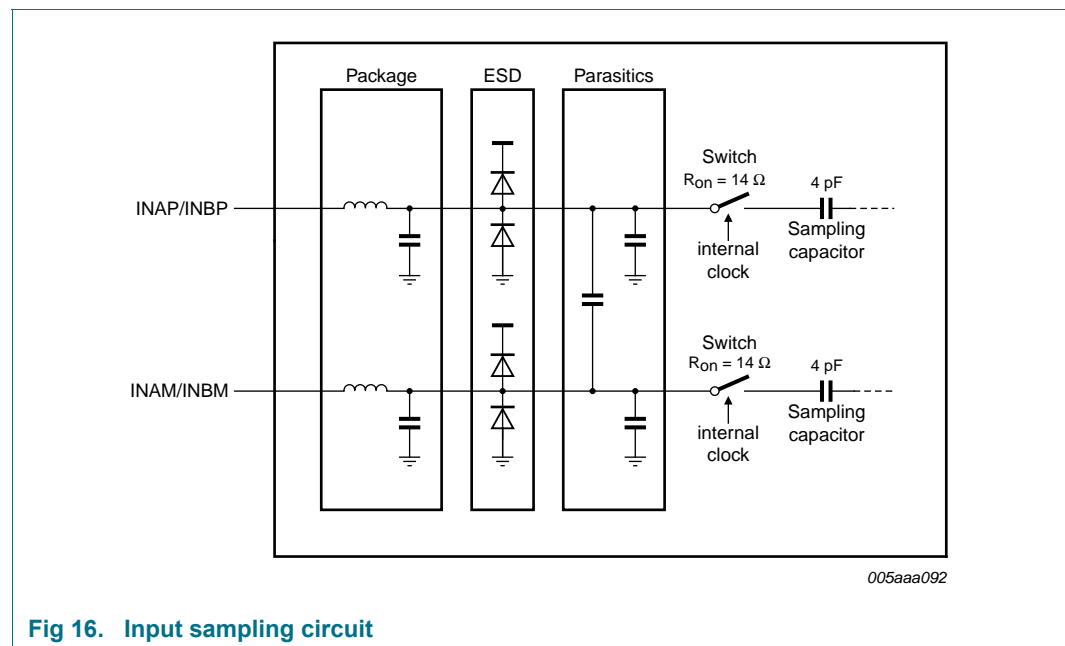
## 11.2 Analog inputs

### 11.2.1 Input stage

The analog input of the ADC1212D supports a differential or a single-ended input drive. Optimal performance is achieved using differential inputs with the common-mode input voltage ( $V_{I(cm)}$ ) on pins INAP, INAM, INBP and INBM set to  $0.5V_{DDA}$ .

The full-scale analog input voltage range is configurable between 1 V (p-p) and 2 V (p-p) via a programmable internal reference (see Section 11.3 and Table 23).

The equivalent circuit of the sample-and-hold input stage, including ElectroStatic Discharge (ESD) protection and circuit and package parasitics, is shown in Figure 16.



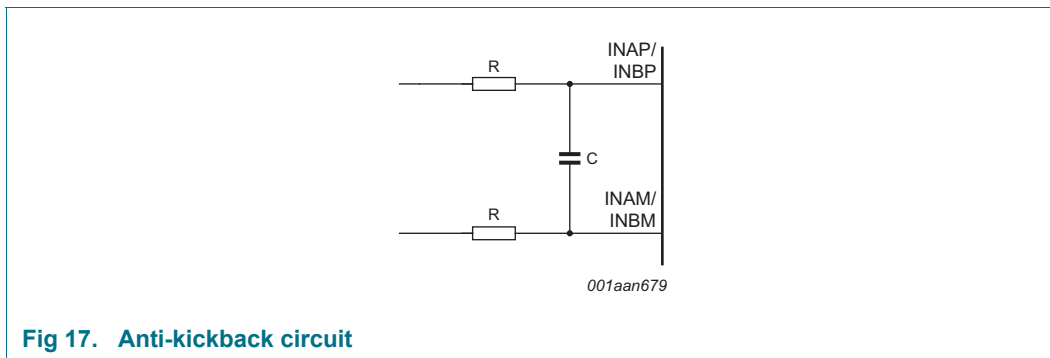
**Fig 16. Input sampling circuit**

The sample phase occurs when the internal clock (derived from the clock signal on pin CLKP/CLKM) is HIGH. The voltage is then held on the sampling capacitors. When the clock signal goes LOW, the stage enters the hold phase and the voltage information is transmitted to the ADC core.

### 11.2.2 Anti-kickback circuitry

Anti-kickback circuitry (RC filter in Figure 17 is needed to counteract the effects of charge injection generated by the sampling capacitance).

The RC filter is also used to filter noise from the signal before it reaches the sampling stage. The value of the capacitor should be chosen to maximize noise attenuation without degrading the settling time excessively.



**Fig 17. Anti-kickback circuit**

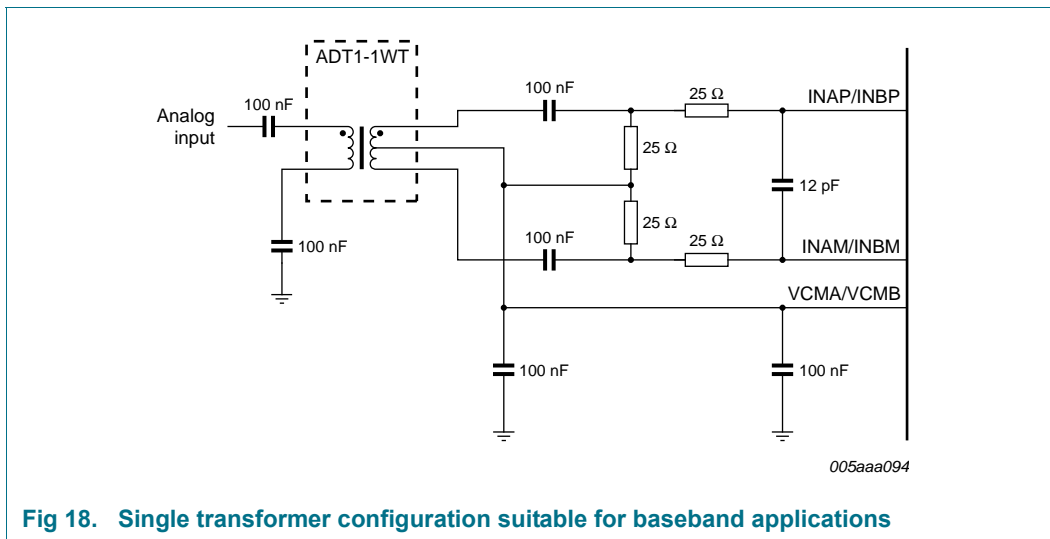
The component values are determined by the input frequency and should be selected so as not to affect the input bandwidth.

**Table 11. RC coupling versus input frequency, typical values**

| Input frequency (MHz) | R ( $\Omega$ ) | C (pF) |
|-----------------------|----------------|--------|
| 3                     | 25             | 12     |
| 70                    | 12             | 8      |
| 170                   | 12             | 8      |

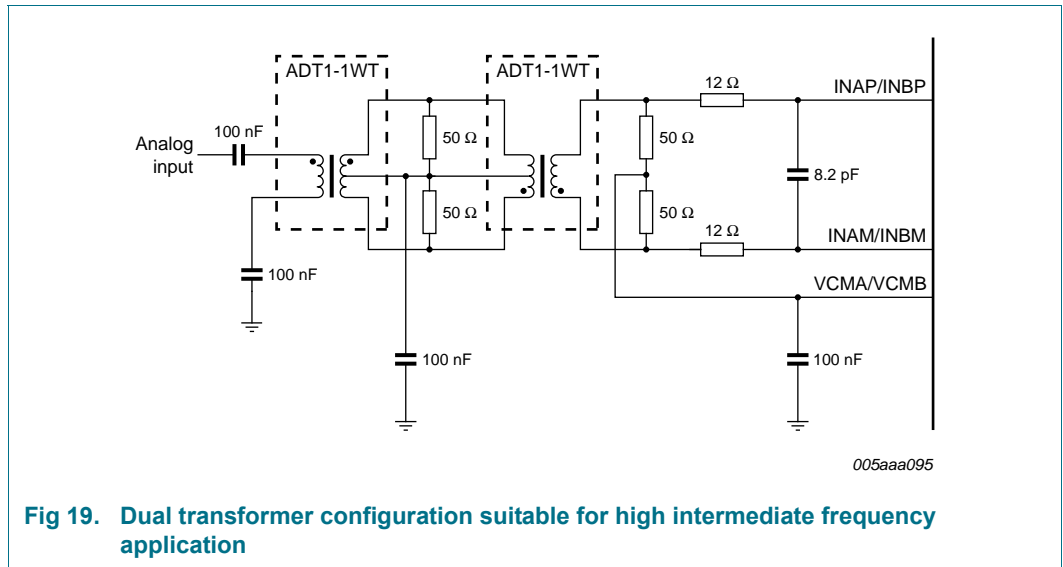
### 11.2.3 Transformer

The configuration of the transformer circuit is determined by the input frequency. The configuration shown in Figure 18 would be suitable for a baseband application.



**Fig 18. Single transformer configuration suitable for baseband applications**

The configuration shown in Figure 19 is recommended for high frequency applications. In both cases, the choice of transformer is a compromise between cost and performance.



### 11.3 System reference and power management

#### 11.3.1 Internal/external references

The ADC1212D has a stable and accurate built-in internal reference voltage to adjust the ADC full-scale. This reference voltage can be set internally via SPI or with pin VREF and SENSE (programmable in 1 dB steps between 0 dB and -6 dB via control bits INTREF[2:0] when bit INTREF\_EN = logic 1; see Table 23). See Figure 21 to Figure 24. The equivalent reference circuit is shown in Figure 20. An external reference is also possible by providing a voltage on pin VREF as described in Figure 23.

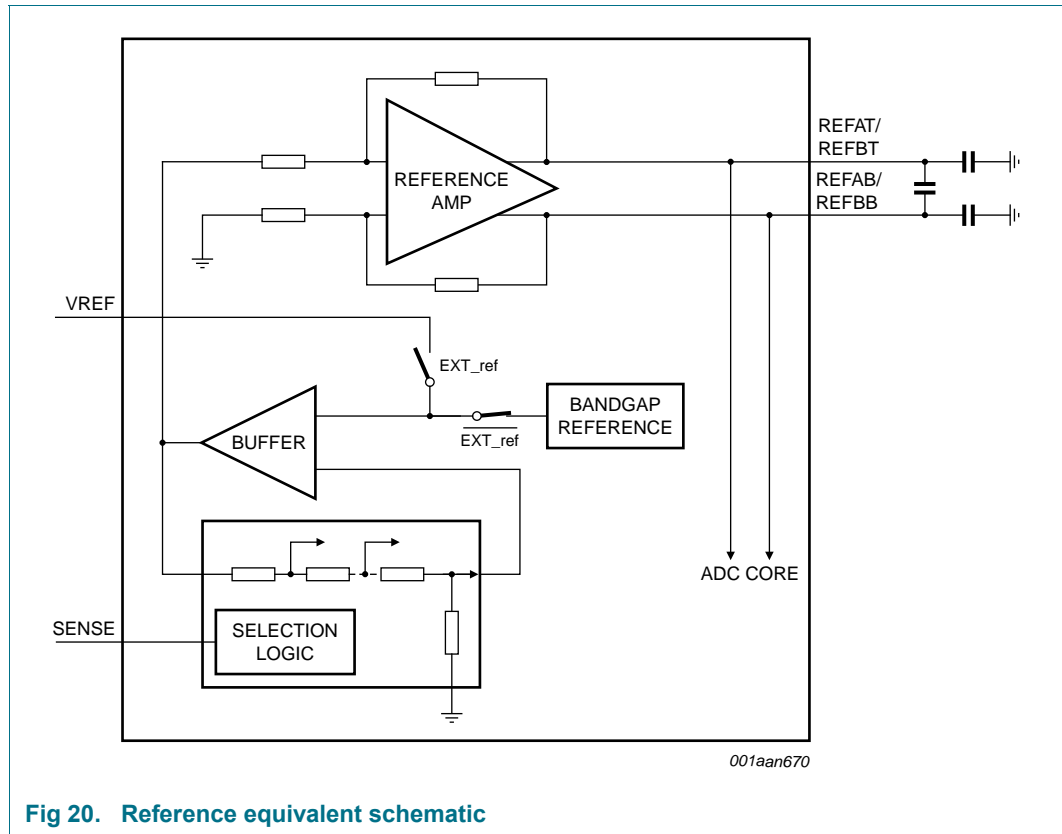


Fig 20. Reference equivalent schematic

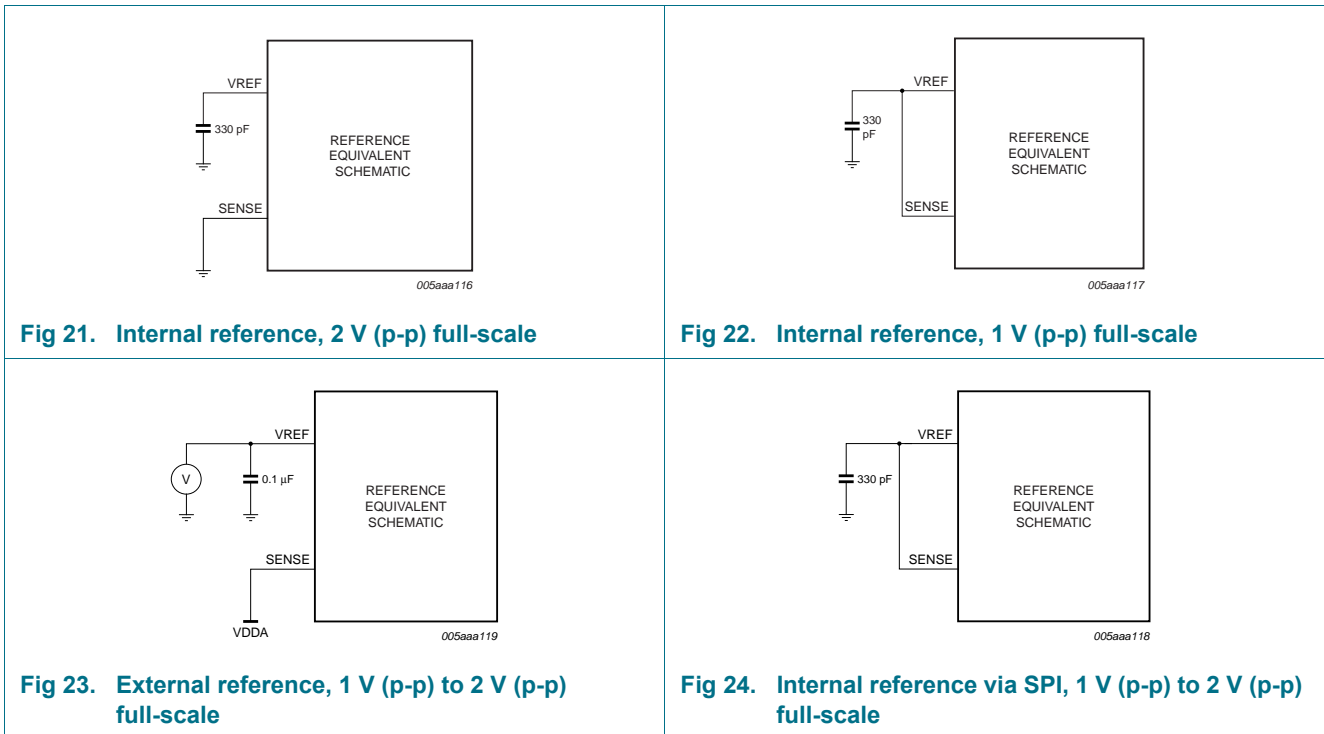
If bit INTREF\_EN is set to logic 0, the reference voltage is determined either internally or externally as detailed in Table 12.

Table 12. Reference selection

| Selection                    | SPI bit INTREF_EN | SENSE pin  | VREF pin  | Full-scale (V (p-p)) |
|------------------------------|-------------------|--|---|----------------------|
| Internal (Figure 21)         | 0                 | AGND   | 330 pF capacitor to AGND                              | 2 V                  |
| Internal (Figure 22)         | 0                 | pin VREF connected to pin SENSE and via a 330 pF capacitor to AGND |   | 1 V                  |
| External (Figure 23)         | 0                 | V <sub>DDA</sub>   | external voltage between 0.5 V and 1 V <sup>[1]</sup> | 1 V to 2 V           |
| Internal via SPI (Figure 24) | 1                 | pin VREF connected to pin SENSE and via 330 pF capacitor to AGND   |   | 1 V to 2 V           |

[1] The voltage on pin VREF is doubled internally to generate the internal reference voltage.

Figure 21 to Figure 24 illustrate how to connect the SENSE and VREF pins to select the required reference voltage source.



11.3.2 Programmable full-scale

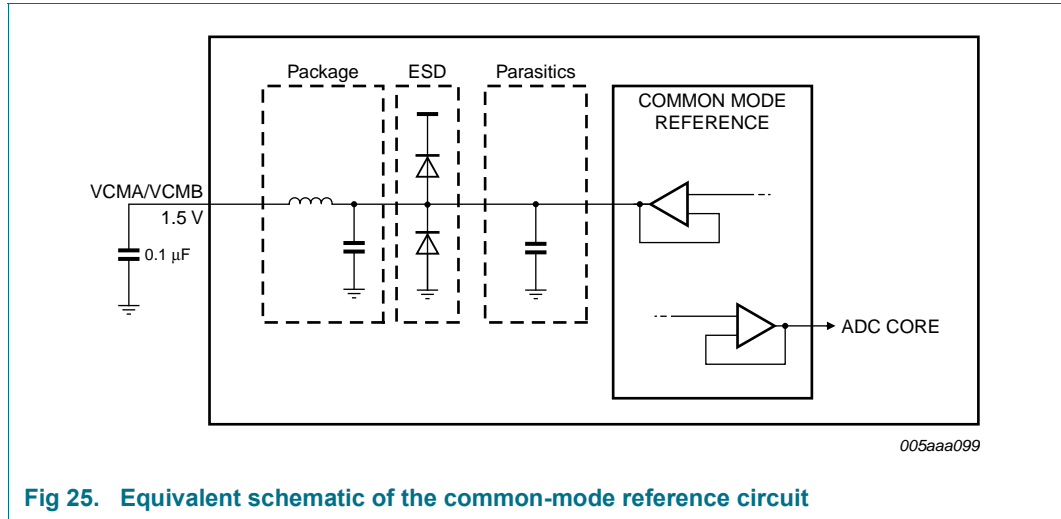
The full-scale is programmable between 1 V (p-p) to 2 V (p-p) (see Table 13).

Table 13. Programmable full-scale

| INTREF | Level (dB) | Full-scale (V (p-p)) |
|--------|------------|----------------------|
| 000    | 0          | 2                    |
| 001    | -1         | 1.78                 |
| 010    | -2         | 1.59                 |
| 011    | -3         | 1.42                 |
| 100    | -4         | 1.26                 |
| 101    | -5         | 1.12                 |
| 110    | -6         | 1                    |
| 111    | reserved   | x                    |

11.3.3 Common-mode output voltage ( $V_{O(cm)}$ )

A 0.1 μF filter capacitor should be connected between pin VCMA/VCMB and ground to ensure a low-noise common-mode output voltage. When AC-coupled, pin VCMA/VCMB can then be used to set the common-mode reference for the analog inputs, for instance via a transformer middle point.



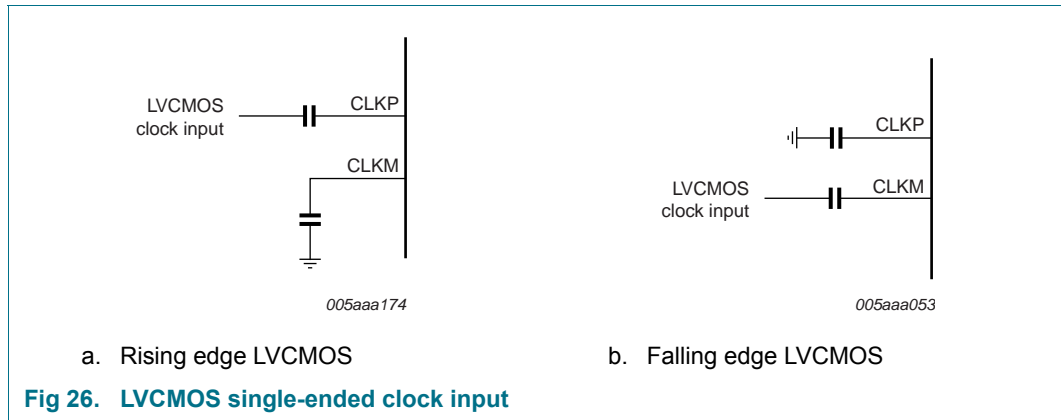
**11.3.4 Biasing**

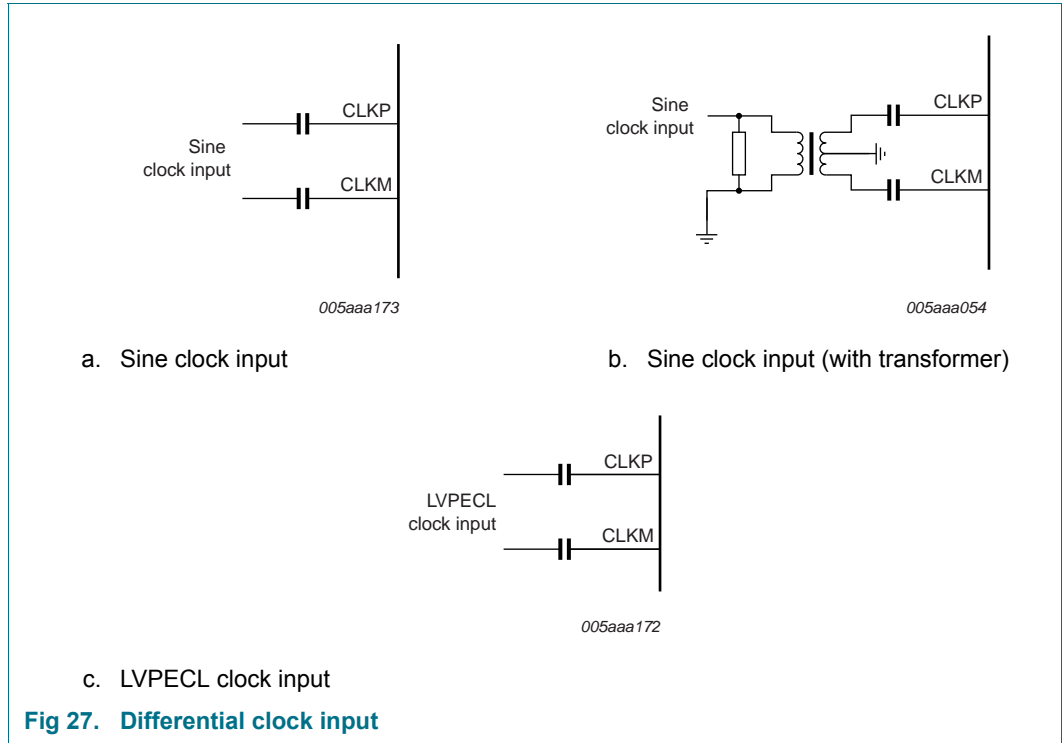
The common-mode input voltage ( $V_{I(cm)}$ ) on pins INAP/INBP and INAM/INBM should be set externally to  $0.5V_{DDA}$  for optimal performance and should always be between 0.9 V and 2 V (see Table 6).

**11.4 Clock input**

**11.4.1 Drive modes**

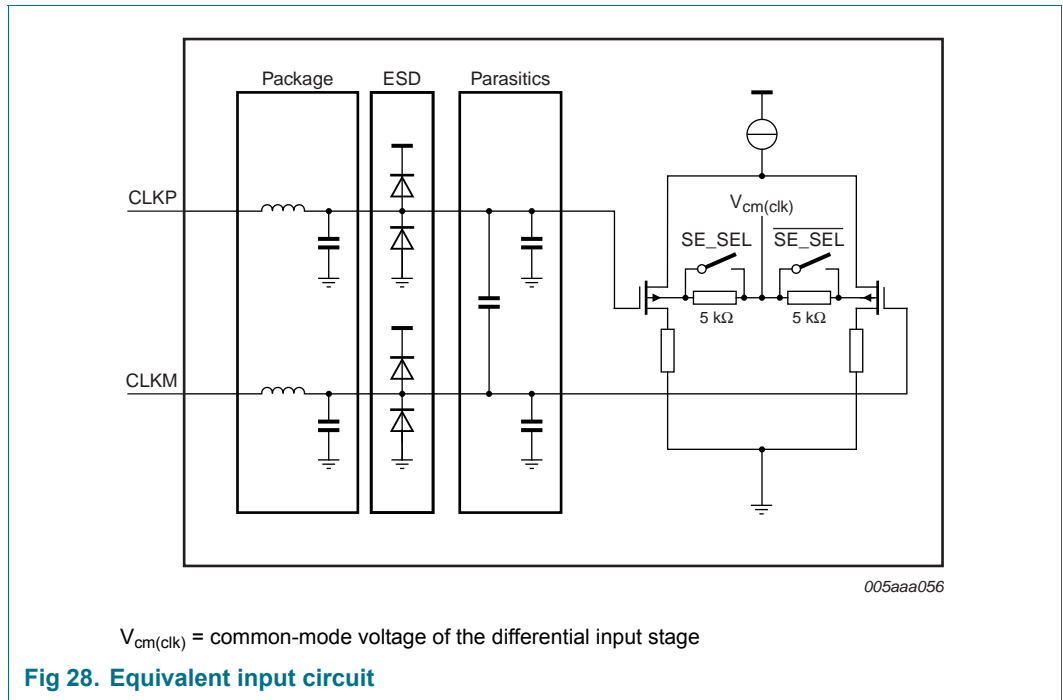
The ADC1212D can be driven differentially (LVPECL). It can also be driven by a single-ended LVCMOS signal connected to pin CLKP (pin CLKM should be connected to ground via a capacitor) or pin CLKM (pin CLKP should be connected to ground via a capacitor).





11.4.2 Equivalent input circuit

The equivalent circuit of the input clock buffer is shown in Figure 28. The common-mode voltage of the differential input stage is set via internal 5 kΩ resistors.





Single-ended or differential clock inputs can be selected via the SPI interface (see Table 22). If single-ended is enabled, the input pin (CLKM or CLKP) is selected via control bit SE\_SEL.

If single-ended is implemented without setting bit SE\_SEL to the appropriate value, the unused pin should be connected to ground via a capacitor.

### 11.4.3 Duty cycle stabilizer

The duty cycle stabilizer can improve the overall performances of the ADC by compensating the duty cycle of the input clock signal. When the duty cycle stabilizer is active (bit DCS\_EN = logic 1; see Table 22), the circuit can handle signals with duty cycles of between 30 % and 70 % (typical). When the duty cycle stabilizer is disabled (DCS\_EN = logic 0), the input clock signal should have a duty cycle of between 45 % and 55 %.

### 11.4.4 Clock input divider

The ADC1212D contains an input clock divider that divides the incoming clock by a factor of 2 (when bit CLKDIV = logic 1; see Table 22). This feature allows the user to deliver a higher clock frequency with better jitter performance, leading to a better SNR result once acquisition has been performed.

## 11.5 Digital outputs

### 11.5.1 Digital output buffers: CMOS mode

The digital output buffers can be configured as CMOS by setting bit LVDS\_CMOS to logic 0 (see Table 24).

Each digital output has a dedicated output buffer. The equivalent circuit of the CMOS digital output buffer is shown in Figure 29. The buffer is powered by a separate AGND/V<sub>DDO</sub> to ensure 1.8 V to 3.3 V compatibility and is isolated from the ADC core. Each buffer can be loaded by a maximum of 10 pF.

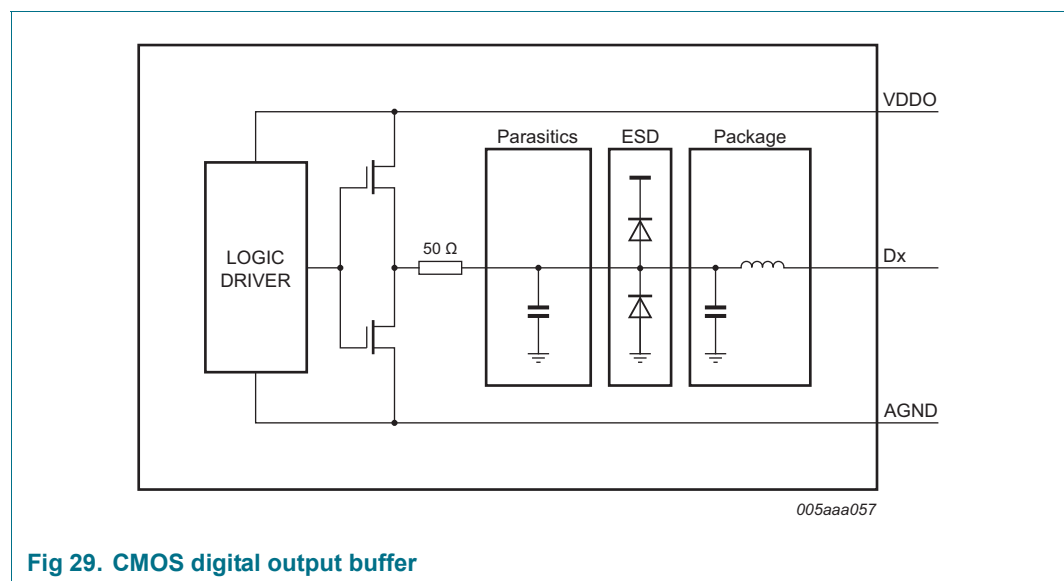
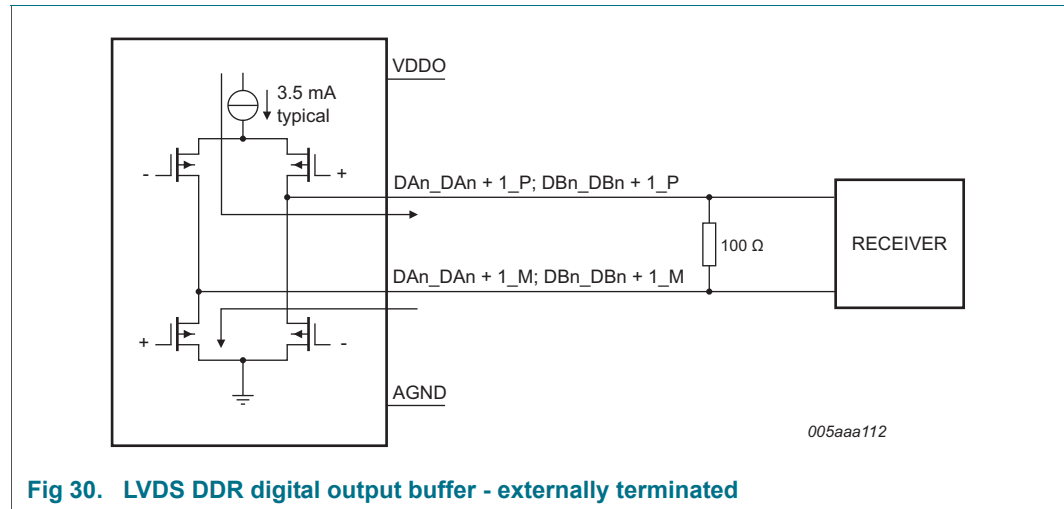


Fig 29. CMOS digital output buffer

The output resistance is  $50\ \Omega$  and is the combination of an internal resistor and the equivalent output resistance of the buffer. There is no need for an external damping resistor. The drive strength of both DATA and DAV buffers can be programmed via the SPI in order to adjust the rise and fall times of the output digital signals (see Table 31).

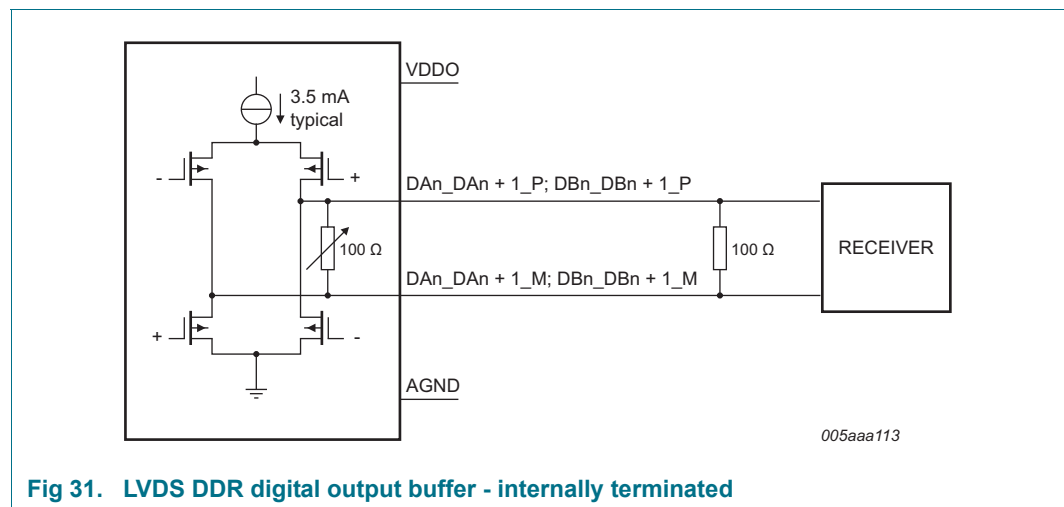
### 11.5.2 Digital output buffers: LVDS DDR mode

The digital output buffers can be configured as LVDS DDR by setting bit LVDS\_CMOS to logic 1 (see Table 24).



**Fig 30. LVDS DDR digital output buffer - externally terminated**

Each output should be terminated externally with a  $100\ \Omega$  resistor (typical) at the receiver side (Figure 30) or internally via SPI control bits LVDS\_INT\_TER[2:0] (see Figure 31 and Table 33).



**Fig 31. LVDS DDR digital output buffer - internally terminated**

The default LVDS DDR output buffer current is set to 3.5 mA. It can be programmed via the SPI (bits DAVI[1:0] and DATAI[1:0]; see Table 32) in order to adjust the output logic voltage levels.

Table 14. LVDS DDR output register 2

| LVDS_INT_TER[2:0] | Resistor value ( $\Omega$ ) |
|-------------------|-----------------------------|
| 000               | no internal termination     |
| 001               | 300                         |
| 010               | 180                         |
| 011               | 110                         |
| 100               | 150                         |
| 101               | 100                         |
| 110               | 81                          |
| 111               | 6                           |

### 11.5.3 DAta Valid (DAV) output clock

A data valid output clock signal (DAV) is provided that can be used to capture the data delivered by the ADC1212D. Detailed timing diagrams for CMOS and LVDS DDR modes are provided in Figure 4 and Figure 5 respectively. In LVDS DDR mode, it is highly recommended to shift ahead the DAV by 1 ns (bits DAVPHASE[2:0] = 0b100; see Table 25).

### 11.5.4 OuT-of-Range (OTR)

An out-of-range signal is provided on pin OTRA for ADC channel A and on pin OTRB for ADC channel B. The latency of OTRA/OTRB is fourteen clock cycles. The OTR response can be speeded up by enabling Fast OTR (bit FASTOTR = logic 1; see Table 30). In this mode, the latency of OTRA/OTRB is reduced to only four clock cycles. The Fast OTR detection threshold (below full-scale) can be programmed via bits FASTOTR\_DET[2:0].

Table 15. Fast OTR register

| FASTOTR_DET[2:0] | Detection level (dB) |
|------------------|----------------------|
| 000              | -20.56               |
| 001              | -16.12               |
| 010              | -11.02               |
| 011              | -7.82                |
| 100              | -5.49                |
| 101              | -3.66                |
| 110              | -2.14                |
| 111              | -0.86                |

### 11.5.5 Digital offset

By default, the ADC1212D delivers output code that corresponds to the analog input. However, it is possible to add a digital offset to the output code via the SPI (bits DIG\_OFFSET[5:0]; see Table 26).

### 11.5.6 Test patterns

For test purposes, the ADC1212D can be configured to transmit one of a number of predefined test patterns (via bits TESTPAT\_SEL[2:0]; see Table 27). A custom test pattern can be defined by the user (TESTPAT\_USER[11:4]; see Table 28 and TESTPAT\_USER[3:0]; see Table 29) and is selected when TESTPAT\_SEL[2:0] = 101. The selected test pattern is transmitted regardless of the analog input.

### 11.5.7 Output codes versus input voltage

Table 16. Output codes

| $V_{INAP} - V_{INAM} / V_{INBP} - V_{INBM}$ | Offset binary  | Two's complement | OTRA/OTRB pin |
|---|----------------|------------------|---------------|
| < -1  | 0000 0000 0000 | 1000 0000 0000   | 1             |
| -1.0000000                                  | 0000 0000 0000 | 1000 0000 0000   | 0             |
| -0.9995117                                  | 0000 0000 0001 | 1000 0000 0001   | 0             |
| -0.9990234                                  | 0000 0000 0010 | 1000 0000 0010   | 0             |
| -0.9985352                                  | 0000 0000 0011 | 1000 0000 0011   | 0             |
| -0.9980469                                  | 0000 0000 0100 | 1000 0000 0100   | 0             |
| ....  | ....           | ....             | 0             |
| -0.0009766                                  | 0111 1111 1110 | 1111 1111 1110   | 0             |
| -0.0004883                                  | 0111 1111 1111 | 1111 1111 1111   | 0             |
| +0.0000000                                  | 1000 0000 0000 | 0000 0000 0000   | 0             |
| +0.0004883                                  | 1000 0000 0001 | 0000 0000 0001   | 0             |
| +0.0009766                                  | 1000 0000 0010 | 0000 0000 0010   | 0             |
| ....  | ....           | ....             | 0             |
| +0.9980469                                  | 1111 1111 1011 | 0111 1111 1011   | 0             |
| +0.9985352                                  | 1111 1111 1100 | 0111 1111 1100   | 0             |
| +0.9990234                                  | 1111 1111 1101 | 0111 1111 1101   | 0             |
| +0.9995117                                  | 1111 1111 1110 | 0111 1111 1110   | 0             |
| +1  | 1111 1111 1111 | 0111 1111 1111   | 0             |
| > +1  | 1111 1111 1111 | 0111 1111 1111   | 1             |

## 11.6 Serial Peripheral Interface (SPI)

### 11.6.1 Register description

The ADC1212D serial interface is a synchronous serial communications port that allows easy interfacing with many commonly used microprocessors. It provides access to the registers that control the operation of the chip.

This interface is configured as a 3-wire type (SDIO as bidirectional pin).

Pin SCLK is the serial clock input and  $\overline{CS}$  is the chip select pin.

Each read/write operation is initiated by a LOW level on  $\overline{CS}$ . A minimum of three bytes is transmitted (two instruction bytes and at least one data byte). The number of data bytes is determined by the value of bits W1 and W2 (see Table 18).

**Table 17. Instruction bytes for the SPI**

| Bit         | MSB                              |                   |                   |     |     |     |    | LSB |
|-------------|----------------------------------|-------------------|-------------------|-----|-----|-----|----|-----|
|             | 7                                | 6                 | 5                 | 4   | 3   | 2   | 1  | 0   |
| Description | R/ $\overline{W}$ <sup>[1]</sup> | W1 <sup>[2]</sup> | W0 <sup>[2]</sup> | A12 | A11 | A10 | A9 | A8  |
|             | A7                               | A6                | A5                | A4  | A3  | A2  | A1 | A0  |

[1] Bit R/ $\overline{W}$  indicates whether it is a read (logic 1) or a write (logic 0) operation.

[2] Bits W1 and W0 indicate the number of bytes to be transferred (see Table 18).

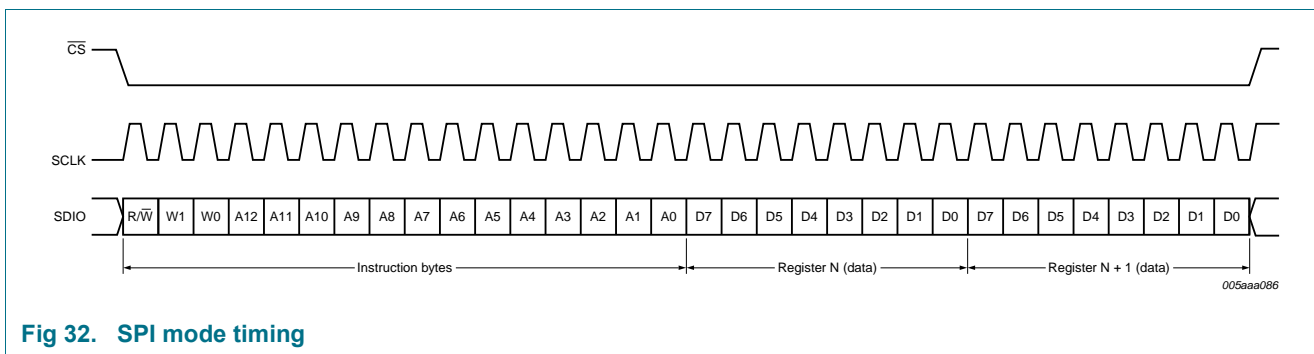
**Table 18. Number of data bytes to be transferred after the instruction bytes**

| W1 | W0 | Number of bytes transmitted |
|----|----|-----------------------------|
| 0  | 0  | 1 byte                      |
| 0  | 1  | 2 bytes                     |
| 1  | 0  | 3 bytes                     |
| 1  | 1  | 4 bytes or more             |

Bits A12 to A0 indicate the address of the register being accessed. In the case of a multiple byte transfer, this address is the first register to be accessed. An address counter is increased to access subsequent addresses.

The steps for a data transfer:

1. A falling edge on pin  $\overline{CS}$  in combination with a rising edge on pin SCLK determine the start of communications.
2. The first phase is the transfer of the 2-byte instruction.
3. The second phase is the transfer of the data which can vary in length but is always a multiple of 8 bits. The MSB is always sent first (for instruction and data bytes).
4. A rising edge on pin  $\overline{CS}$  indicates the end of data transmission.



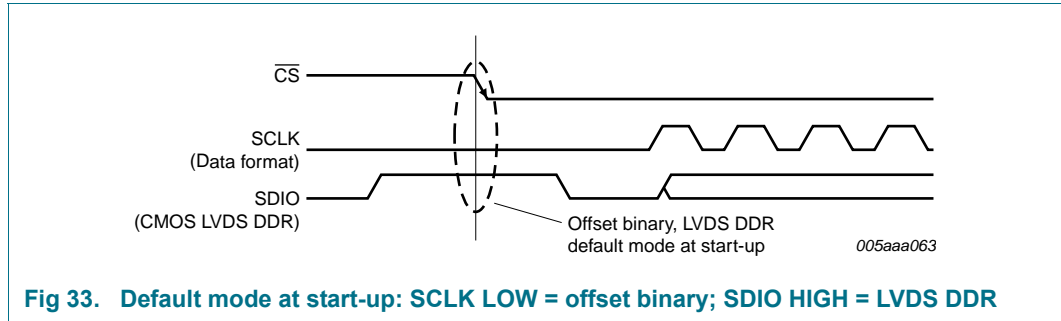
**Fig 32. SPI mode timing**

### 11.6.2 Default modes at start-up

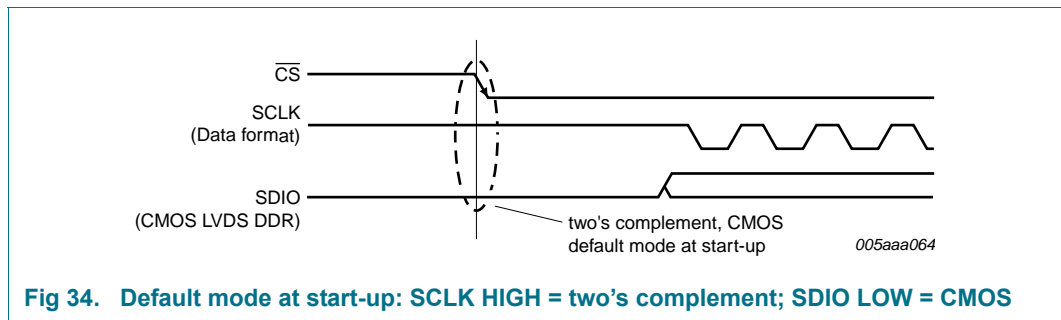
During circuit initialization it does not matter which output data standard has been selected. At power-up, the device enters Pin control mode.

A falling edge on pin  $\overline{CS}$  triggers a transition to SPI control mode. When the ADC1212D enters SPI control mode, the output data standard (CMOS/LVDS DDR) is determined by the level on pin SDIO (see Figure 33). Once in SPI control mode, the output data standard can be changed via bit LVDS\_CMOS (see Table 24).

When the ADC1212D enters SPI control mode, the output data format (two's complement or offset binary) is determined by the level on pin SCLK (gray code can only be selected via the SPI). Once in SPI control mode, the output data format can be changed via bit DATA\_FORMAT[1:0] (see Table 24).



**Fig 33. Default mode at start-up: SCLK LOW = offset binary; SDIO HIGH = LVDS DDR**



**Fig 34. Default mode at start-up: SCLK HIGH = two's complement; SDIO LOW = CMOS**

## 11.6.3 Register allocation map

Table 19. Register allocation map

| Addr (hex) | Register name            | Access | Bit definition     |               |                 |           |               |                   |                  |           | Default (bin) |
|------------|--------------------------|--------|--------------------|---------------|-----------------|-----------|---------------|-------------------|------------------|-----------|---------------|
|            |                          |        | Bit 7              | Bit 6         | Bit 5           | Bit 4     | Bit 3         | Bit 2             | Bit 1            | Bit 0     |               |
| 0003       | Channel index            | R/W    | RESERVED[5:0]      |               |                 |           |               |                   | ADCB             | ADCA      | 1111 1111     |
| 0005       | Reset and operating mode | R/W    | SW_RST             | RESERVED[2:0] |                 |           | -             | -                 | OP_MODE[1:0]     |           | 0000 0000     |
| 0006       | Clock                    | R/W    | -                  | -             | -               | SE_SEL    | DIFF_SE       | -                 | CLKDIV           | DCS_EN    | 0000 0001     |
| 0008       | Internal reference       | R/W    | -                  | -             | -               | -         | INTREF_EN     | INTREF[2:0]       |                  |           | 0000 0000     |
| 0011       | Output data standard.    | R/W    | -                  | -             | -               | LVDS_CMOS | OUTBUF        | OUTBUS_SWAP       | DATA_FORMAT[1:0] |           | 0000 0000     |
| 0012       | Output clock             | R/W    | -                  | -             | -               | -         | DAVINV        | DAVPHASE[2:0]     |                  |           | 0000 1110     |
| 0013       | Offset                   | R/W    | -                  | -             | DIG_OFFSET[5:0] |           |               |                   |                  | 0000 0000 |               |
| 0014       | Test pattern 1           | R/W    | -                  | -             | -               | -         | -             | TESTPAT_SEL[2:0]  |                  |           | 0000 0000     |
| 0015       | Test pattern 2           | R/W    | TESTPAT_USER[11:4] |               |                 |           |               |                   |                  |           | 0000 0000     |
| 0016       | Test pattern 3           | R/W    | TESTPAT_USER[3:0]  |               |                 |           | -             | -                 | -                | -         | 0000 0000     |
| 0017       | Fast OTR                 | R/W    | -                  | -             | -               | -         | FASTOTR       | FASTOTR_DET[2:0]  |                  |           | 0000 0000     |
| 0020       | CMOS output              | R/W    | -                  | -             | -               | -         | DAV_DRV[1:0]  |                   | DATA_DRV[1:0]    |           | 0000 1110     |
| 0021       | LVDS DDR O/P 1           | R/W    | -                  | -             | RESERVED        | DAVI[1:0] |               | RESERVED          | DATAI[1:0]       |           | 0000 0000     |
| 0022       | LVDS DDR O/P 2           | R/W    | -                  | -             | -               | -         | BIT_BYTE_WISE | LVDS_INT_TER[2:0] |                  |           | 0000 0000     |

**Table 20. Channel index control register (address 0003h) bit description**

Default values are highlighted.

| Bit    | Symbol        | Access | Value         | Description                |
|--------|---------------|--------|---------------|----------------------------|
| 7 to 2 | RESERVED[5:0] | -      | <b>111111</b> | reserved                   |
| 1      | ADCB          | R/W    |               | next SPI command for ADC B |
|        |               |        | 0             | ADC B not selected         |
|        |               |        | <b>1</b>      | ADC B selected             |
| 0      | ADCA          | R/W    |               | next SPI command for ADC A |
|        |               |        | 0             | ADC A not selected         |
|        |               |        | <b>1</b>      | ADC A selected             |

**Table 21. Reset and operating mode control register (address 0005h) bit description**

Default values are highlighted.

| Bit    | Symbol        | Access | Value      | Description                       |
|--------|---------------|--------|------------|-----------------------------------|
| 7      | SW_RST        | R/W    |            | reset digital section             |
|        |               |        | <b>0</b>   | <b>no reset</b>                   |
|        |               |        | 1          | performs a reset on SPI registers |
| 6 to 4 | RESERVED[2:0] | -      | <b>000</b> | reserved                          |
| 3 to 2 | -             | -      | 00         | not used                          |
| 1 to 0 | OP_MODE[1:0]  | R/W    |            | operating mode                    |
|        |               |        | <b>00</b>  | <b>normal (Power-up)</b>          |
|        |               |        | 01         | Power-down                        |
|        |               |        | 10         | Sleep                             |
|        |               |        | 11         | normal (Power-up)                 |

**Table 22. Clock control register (address 0006h) bit description**

Default values are highlighted.

| Bit    | Symbol   | Access | Value    | Description                                  |
|--------|----------|--------|----------|--|
| 7 to 5 | -        | -      | 000      | not used                                     |
| 4      | SE_SEL   | R/W    |          | single-ended clock input pin select          |
|        |          |        | <b>0</b> | <b>CLKM</b>                                  |
|        |          |        | 1        | CLKP   |
| 3      | DIFF_SE  | R/W    |          | differential/single-ended clock input select |
|        |          |        | <b>0</b> | <b>fully differential</b>                    |
|        |          |        | 1        | single-ended                                 |
| 2      | RESERVED | -      | 0        | reserved                                     |
| 1      | CLKDIV   | R/W    |          | clock input divide by 2                      |
|        |          |        | <b>0</b> | <b>disabled</b>                              |
|        |          |        | 1        | enabled                                      |
| 0      | DCS_EN   | R/W    |          | duty cycle stabilizer                        |
|        |          |        | 0        | disabled                                     |
|        |          |        | <b>1</b> | <b>enabled</b>                               |



**Table 23. Internal reference control register (address 0008h) bit description***Default values are highlighted.*

| Bit    | Symbol      | Access | Value      | Description                            |
|--------|-------------|--------|------------|--|
| 7 to 4 | -           | -      | 0000       | not used                               |
| 3      | INTREF_EN   | R/W    |            | programmable internal reference enable |
|        |             |        | <b>0</b>   | <b>disable</b>                         |
|        |             |        | 1          | active                                 |
| 2 to 0 | INTREF[2:0] | R/W    |            | programmable internal reference        |
|        |             |        | <b>000</b> | <b>0 dB (FS = 2 V)</b>                 |
|        |             |        | 001        | -1 dB (FS = 1.78 V)                    |
|        |             |        | 010        | -2 dB (FS = 1.59 V)                    |
|        |             |        | 011        | -3 dB (FS = 1.42 V)                    |
|        |             |        | 100        | -4 dB (FS = 1.26 V)                    |
|        |             |        | 101        | -5 dB (FS = 1.12 V)                    |
|        |             |        | 110        | -6 dB (FS = 1 V)                       |
|        |             |        | 111        | reserved                               |

**Table 24. Output data standard control register (address 0011h) bit description***Default values are highlighted.*

| Bit    | Symbol           | Access | Value     | Description   |
|--------|------------------|--------|-----------|---|
| 7 to 5 | -                | -      | 000       | not used  |
| 4      | LVDS_CMOS        | R/W    |           | output data standard: LVDS DDR or CMOS                        |
|        |                  |        | <b>0</b>  | <b>CMOS</b>   |
| 3      | OUTBUF           | R/W    | 1         | LVDS DDR  |
|        |                  |        | <b>0</b>  | <b>output enabled</b>   |
| 2      | OUTBUS_SWAP      | R/W    | 1         | output disabled (high Z)                                      |
|        |                  |        | <b>0</b>  | <b>no swapping</b>  |
| 1 to 0 | DATA_FORMAT[1:0] | R/W    | 1         | output bus swap   |
|        |                  |        | <b>0</b>  | <b>output bus is swapped (MSB becomes LSB and vice versa)</b> |
|        |                  |        | <b>00</b> | <b>offset binary</b>  |
|        |                  |        | 01        | two's complement  |
|        |                  |        | 10        | gray code   |
|        |                  |        | 11        | offset binary   |

**Table 25. Output clock register (address 0012h) bit description**

Default values are highlighted.

| Bit    | Symbol        | Access | Value      | Description   |
|--------|---------------|--------|------------|---|
| 7 to 4 | -             | -      | 0000       | not used  |
| 3      | DAVINV        | R/W    |            | output clock data valid (DAV) polarity                        |
|        |               |        | 0          | normal  |
|        |               |        | <b>1</b>   | <b>inverted</b>   |
| 2 to 0 | DAVPHASE[2:0] | R/W    |            | DAV phase select  |
|        |               |        | 000        | output clock shifted (ahead) by $6/16 \times t_{clk}^{[1]}$   |
|        |               |        | 001        | output clock shifted (ahead) by $5/16 \times t_{clk}^{[1]}$   |
|        |               |        | 010        | output clock shifted (ahead) by $4/16 \times t_{clk}^{[1]}$   |
|        |               |        | 011        | output clock shifted (ahead) by $3/16 \times t_{clk}^{[1]}$   |
|        |               |        | 100        | output clock shifted (ahead) by $2/16 \times t_{clk}^{[1]}$   |
|        |               |        | 101        | output clock shifted (ahead) by $1/16 \times t_{clk}^{[1]}$   |
|        |               |        | <b>110</b> | <b>default value as defined in timing section</b>             |
|        |               |        | 111        | output clock shifted (delayed) by $1/16 \times t_{clk}^{[1]}$ |

[1]  $t_{clk} = 1 / f_{clk}$ **Table 26. Offset register (address 0013h) bit description**

Default values are highlighted.

| Bit    | Symbol          | Access  | Value         | Description               |
|--------|-----------------|---------|---------------|---------------------------|
| 7 to 6 | -               | -       | 00            | not used                  |
| 5 to 0 | DIG_OFFSET[5:0] | R/W     |               | digital offset adjustment |
|        |                 |         | 011111        | +31 LSB                   |
|        |                 |         | ...           | ...                       |
|        |                 |         | <b>000000</b> | <b>0</b>                  |
|        |                 |         | ...           | ...                       |
|        | 100000          | -32 LSB |               |                           |

**Table 27. Test pattern register 1 (address 0014h) bit description**

Default values are highlighted.

| Bit    | Symbol           | Access | Value      | Description                      |
|--------|------------------|--------|------------|----------------------------------|
| 7 to 3 | -                | -      | 00000      | not used                         |
| 2 to 0 | TESTPAT_SEL[2:0] | R/W    |            | digital test pattern select      |
|        |                  |        | <b>000</b> | <b>off</b>                       |
|        |                  |        | 001        | mid scale                        |
|        |                  |        | 010        | -FS                              |
|        |                  |        | 011        | +FS                              |
|        |                  |        | 100        | toggle '1111..1111'/'0000..0000' |
|        |                  |        | 101        | custom test pattern              |
|        |                  |        | 110        | '0101..0101'                     |
|        |                  |        | 111        | '1010..1010.'                    |

**Table 28. Test pattern register 2 (address 0015h) bit description***Default values are highlighted.*

| Bit    | Symbol             | Access | Value               | Description                                |
|--------|--------------------|--------|---------------------|--|
| 7 to 0 | TESTPAT_USER[11:4] | R/W    | <b>0000</b><br>0000 | custom digital test pattern (bits 11 to 4) |

**Table 29. Test pattern register 3 (address 0016h) bit description***Default values are highlighted.*

| Bit    | Symbol            | Access | Value       | Description                               |
|--------|-------------------|--------|-------------|---|
| 7 to 4 | TESTPAT_USER[3:0] | R/W    | <b>0000</b> | custom digital test pattern (bits 3 to 0) |
| 3 to 0 | -                 | -      | 0000        | not used                                  |

**Table 30. Fast OTR register (address 0017h) bit description***Default values are highlighted.*

| Bit    | Symbol           | Access | Value      | Description                       |
|--------|------------------|--------|------------|-----------------------------------|
| 7 to 4 | -                | -      | 0000       | not used                          |
| 3      | FASTOTR          | R/W    |            | fast OuT-of-Range (OTR) detection |
|        |                  |        | <b>0</b>   | <b>disabled</b>                   |
|        |                  |        | 1          | enabled                           |
| 2 to 0 | FASTOTR_DET[2:0] | R/W    |            | set fast OTR detect level         |
|        |                  |        | <b>000</b> | <b>-20.56 dB</b>                  |
|        |                  |        | 001        | -16.12 dB                         |
|        |                  |        | 010        | -11.02 dB                         |
|        |                  |        | 011        | -7.82 dB                          |
|        |                  |        | 100        | -5.49 dB                          |
|        |                  |        | 101        | -3.66 dB                          |
|        |                  |        | 110        | -2.14 dB                          |
|        |                  |        | 111        | -0.86 dB                          |

**Table 31. CMOS output register (address 0020h) bit description***Default values are highlighted.*

| Bit    | Symbol        | Access | Value     | Description                                |
|--------|---------------|--------|-----------|--|
| 7 to 4 | -             | -      | 0000      | not used                                   |
| 3 to 2 | DAV_DRV[1:0]  | R/W    |           | drive strength for DAV CMOS output buffer  |
|        |               |        | 00        | low  |
|        |               |        | 01        | medium                                     |
|        |               |        | 10        | high                                       |
|        |               |        | <b>11</b> | <b>very high</b>                           |
| 1 to 0 | DATA_DRV[1:0] | R/W    |           | drive strength for DATA CMOS output buffer |
|        |               |        | 00        | low  |
|        |               |        | 01        | medium                                     |
|        |               |        | <b>10</b> | <b>high</b>                                |
|        |               |        | 11        | very high                                  |

**Table 32. LVDS DDR output register 1 (address 0021h) bit description***Default values are highlighted.*

| Bit    | Symbol     | Access | Value     | Description                       |
|--------|------------|--------|-----------|-----------------------------------|
| 7 to 6 | -          | -      | 00        | not used                          |
| 5      | RESERVED   | -      | 0         | <b>reserved</b>                   |
| 4 to 3 | DAVI[1:0]  | R/W    |           | LVDS current for DAV LVDS buffer  |
|        |            |        | <b>00</b> | <b>3.5 mA</b>                     |
|        |            |        | 01        | 4.5 mA                            |
|        |            |        | 10        | 1.25 mA                           |
|        |            |        | 11        | 2.5 mA                            |
| 2      | RESERVED   | -      | 0         | reserved                          |
| 1 to 0 | DATAI[1:0] | R/W    |           | LVDS current for DATA LVDS buffer |
|        |            |        | <b>00</b> | <b>3.5 mA</b>                     |
|        |            |        | 01        | 4.5 mA                            |
|        |            |        | 10        | 1.25 mA                           |
|        |            |        | 11        | 2.5 mA                            |

**Table 33. LVDS DDR output register 2 (address 0022h) bit description***Default values are highlighted.*

| Bit    | Symbol            | Access | Value      | Description   |
|--------|-------------------|--------|------------|---|
| 7 to 4 | -                 | -      | 0000       | not used  |
| 3      | BIT_BYTE_WISE     | R/W    |            | DDR mode for LVDS output  |
|        |                   |        | <b>0</b>   | <b>bit wise (even data bits output on DAV rising edge/odd data bits output on DAV falling edge)</b> |
|        |                   |        | 1          | byte wise (MSB data bits output on DAV rising edge/LSB data bits output on DAV falling edge)        |
| 2 to 0 | LVDS_INT_TER[2:0] | R/W    |            | internal termination for LVDS buffer (DAV and DATA)   |
|        |                   |        | <b>000</b> | <b>no internal termination</b>  |
|        |                   |        | 001        | 300 $\Omega$  |
|        |                   |        | 010        | 180 $\Omega$  |
|        |                   |        | 011        | 110 $\Omega$  |
|        |                   |        | 100        | 150 $\Omega$  |
|        |                   |        | 101        | 100 $\Omega$  |
|        |                   |        | 110        | 81 $\Omega$   |
|        |                   |        | 111        | 60 $\Omega$   |

12. Package outline

HVQFN64: plastic thermal enhanced very thin quad flat package; no leads; 64 terminals; body 9 x 9 x 0.85 mm

SOT804-3

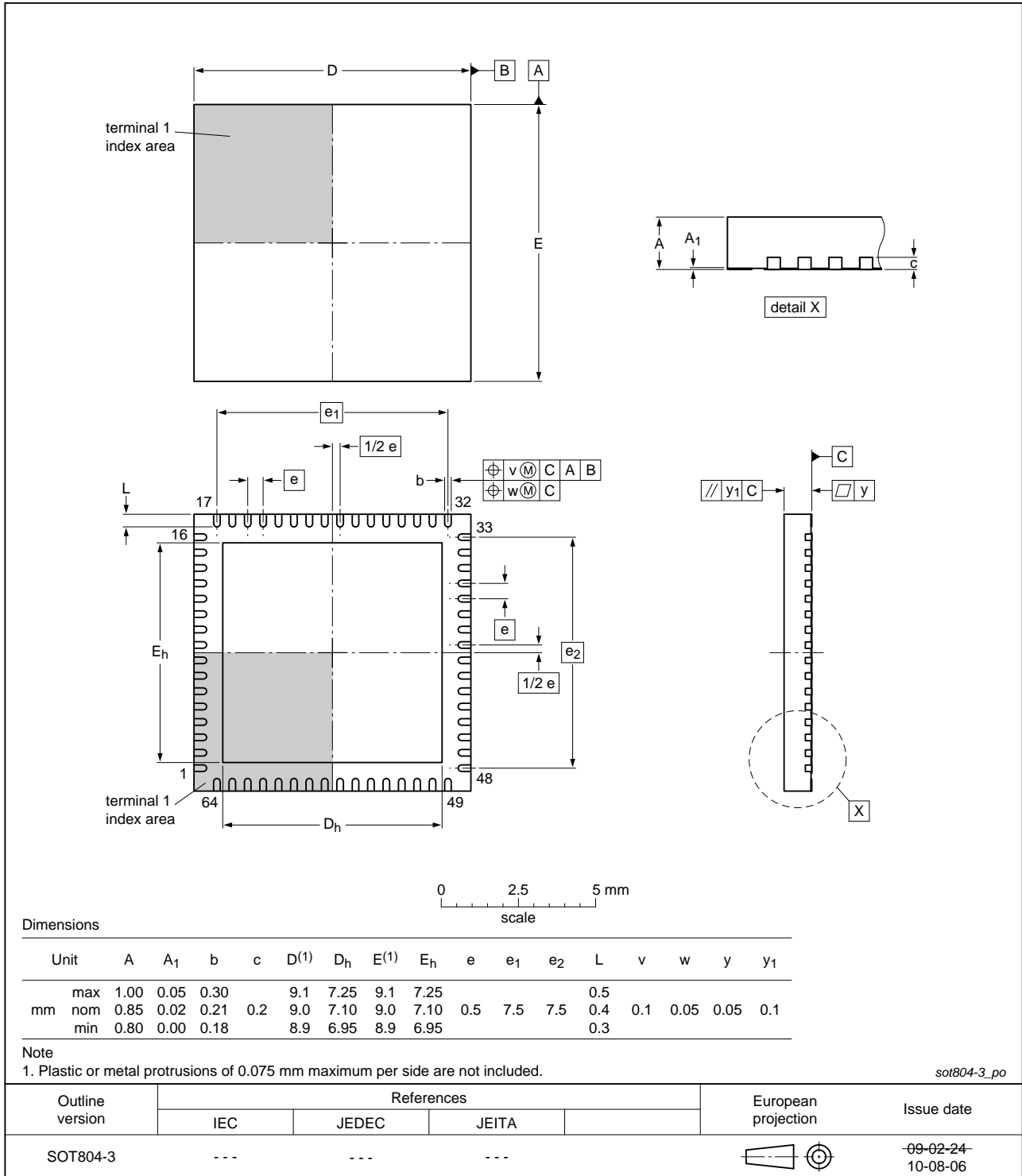


Fig 35. Package outline SOT804-3 (HVQFN64)

## 13. Abbreviations

**Table 34. Abbreviations**

| <b>Acronym</b> | <b>Description</b>                                   |
|----------------|--|
| ADC            | Analog-to-Digital Converter                          |
| CMOS           | Complementary Metal Oxide Semiconductor              |
| DAV            | DAta Valid   |
| DCS            | Duty Cycle Stabilizer                                |
| DFS            | Data Format Select                                   |
| ESD            | ElectroStatic Discharge                              |
| FS             | Full-Scale   |
| IMD            | InterModulation Distortion                           |
| LSB            | Least Significant Bit                                |
| LVC MOS        | Low Voltage Complementary Metal Oxide Semiconductor  |
| LVDS DDR       | Low Voltage Differential Signalling Double Data Rate |
| LVPECL         | Low-Voltage Positive Emitter-Coupled Logic           |
| MSB            | Most Significant Bit                                 |
| OTR            | OuT-of-Range   |
| SFDR           | Spurious-Free Dynamic Range                          |
| SNR            | Signal-to-Noise Ratio                                |
| SPI            | Serial Peripheral Interface                          |
| TX             | Transmitter  |

## 14. Revision history

Table 35. Revision history

| Document ID      | Release date | Data sheet status  | Change notice | Supersedes       |
|------------------|--------------|--|---------------|------------------|
| ADC1212D_SER v.3 | 20120702     | Product data sheet   | -             | ADC1212D_SER v.2 |
| ADC1212D_SER v.2 | 20110304     | Product data sheet   | -             | ADC1212D_SER v.1 |
| Modifications:   |              | <ul style="list-style-type: none"><li>• Data sheet status changed from Preliminary to Product.</li><li>• Text and drawings updated throughout entire data sheet.</li><li>• Section 10.4 “Typical characteristics” has been added to the data sheet.</li><li>• Section 13 “Abbreviations” has been added to the data sheet.</li></ul> |               |                  |
| ADC1212D_SER v.1 | 20100806     | Preliminary data sheet   | -             | -                |

## 15. Contact information

For more information or sales office addresses, please visit: <http://www.idt.com>

## 16. Contents

|           |  |           |           |  |           |
|-----------|--|-----------|-----------|--|-----------|
| <b>1</b>  | <b>General description</b> . . . . .     | <b>1</b>  | 11.2.2    | Anti-kickback circuitry                    | 18        |
| <b>2</b>  | <b>Features and benefits</b> . . . . .   | <b>1</b>  | 11.2.3    | Transformer                                | 19        |
| <b>3</b>  | <b>Applications</b> . . . . .            | <b>1</b>  | 11.3      | System reference and power management      | 20        |
| <b>4</b>  | <b>Ordering information</b> . . . . .    | <b>2</b>  | 11.3.1    | Internal/external references               | 20        |
| <b>5</b>  | <b>Block diagram</b> . . . . .           | <b>2</b>  | 11.3.2    | Programmable full-scale                    | 22        |
| <b>6</b>  | <b>Pinning information</b> . . . . .     | <b>3</b>  | 11.3.3    | Common-mode output voltage ( $V_{O(cm)}$ ) | 22        |
| 6.1       | CMOS outputs selected                    | 3         | 11.3.4    | Biasing                                    | 23        |
| 6.1.1     | Pinning                                  | 3         | 11.4      | Clock input                                | 23        |
| 6.1.2     | Pin description                          | 3         | 11.4.1    | Drive modes                                | 23        |
| 6.2       | LVDS DDR outputs selected                | 5         | 11.4.2    | Equivalent input circuit                   | 24        |
| 6.2.1     | Pinning                                  | 5         | 11.4.3    | Duty cycle stabilizer                      | 25        |
| 6.2.2     | Pin description                          | 6         | 11.4.4    | Clock input divider                        | 25        |
| <b>7</b>  | <b>Limiting values</b> . . . . .         | <b>7</b>  | 11.5      | Digital outputs                            | 25        |
| <b>8</b>  | <b>Thermal characteristics</b> . . . . . | <b>7</b>  | 11.5.1    | Digital output buffers: CMOS mode          | 25        |
| <b>9</b>  | <b>Static characteristics</b> . . . . .  | <b>7</b>  | 11.5.2    | Digital output buffers: LVDS DDR mode      | 26        |
| <b>10</b> | <b>Dynamic characteristics</b> . . . . . | <b>10</b> | 11.5.3    | DAta Valid (DAV) output clock              | 27        |
| 10.1      | Dynamic characteristics                  | 10        | 11.5.4    | Out-of-Range (OTR)                         | 27        |
| 10.2      | Clock and digital output timing          | 11        | 11.5.5    | Digital offset                             | 27        |
| 10.3      | SPI timings                              | 14        | 11.5.6    | Test patterns                              | 28        |
| 10.4      | Typical characteristics                  | 15        | 11.5.7    | Output codes versus input voltage          | 28        |
| <b>11</b> | <b>Application information</b> . . . . . | <b>17</b> | 11.6      | Serial Peripheral Interface (SPI)          | 28        |
| 11.1      | Device control                           | 17        | 11.6.1    | Register description                       | 28        |
| 11.1.1    | SPI and Pin control modes                | 17        | 11.6.2    | Default modes at start-up                  | 29        |
| 11.1.2    | Operating mode selection                 | 17        | 11.6.3    | Register allocation map                    | 31        |
| 11.1.3    | Selecting the output data standard       | 17        | <b>12</b> | <b>Package outline</b> . . . . .           | <b>37</b> |
| 11.1.4    | Selecting the output data format         | 18        | <b>13</b> | <b>Abbreviations</b> . . . . .             | <b>38</b> |
| 11.2      | Analog inputs                            | 18        | <b>14</b> | <b>Revision history</b> . . . . .          | <b>39</b> |
| 11.2.1    | Input stage                              | 18        | <b>15</b> | <b>Contact information</b> . . . . .       | <b>39</b> |
|           |  |           | <b>16</b> | <b>Contents</b> . . . . .                  | <b>40</b> |