

Description

The HXT44100 is a single channel, low power, Linear PAM4 Directly-Modulated Laser (DML) driver for LR applications. It supports signaling rates up to 28GBuad or 56Gbps PAM4. In conjunction with an individual DML, the HXT44100 handles the complete electrical-to-optical conversion, including CML input with equalization, laser bias and modulations, laser power control and supervision.

The HXT44100 also integrates a number of functions required for Automatic Power Control (APC), as well as internal and module temperature measurements and reporting. With an additional RSSI input, one can directly measure the module receive optical power and report it.

HXT44100 is designed as a directly DC-coupled die used in a TOSA application. Thus, one can reduce the number of discrete components for better RF performance, cost-effective and compact assemblies.

Typical Applications

- Up to 10km Ethernet SFP56 modules for datacenter applications
- Fiber Channel Modules
- Infiniband EDR optical modules

Features

- 410mW power dissipation per channel
- Supports up to: $I_{MOD} = 60mA_{PP}$ & $I_{BIAS} = 60mA$ with $V_{CC} = 2.8V$
- Integrated 12-bit ADC with 6 channel analog multiplexor front-end
- Programmable 8-bit laser modulation and bias current control
- Integrated bias monitor, transmit and receive power monitor capability
- Automatic power control (APC)
- Programmable input LOS and Squelch function with disable, transmit disable, and transmit fault indication
- Programmable input CTLE
- Integrated temperature sensor and input for external module temperature sensor
- Interrupts with user selectable mask control
- Input polarity inversion
- Laser disable for I_{MOD} and I_{BIAS}
- Integrated OTP for calibration
- 2-wire interface control

Device Diagram

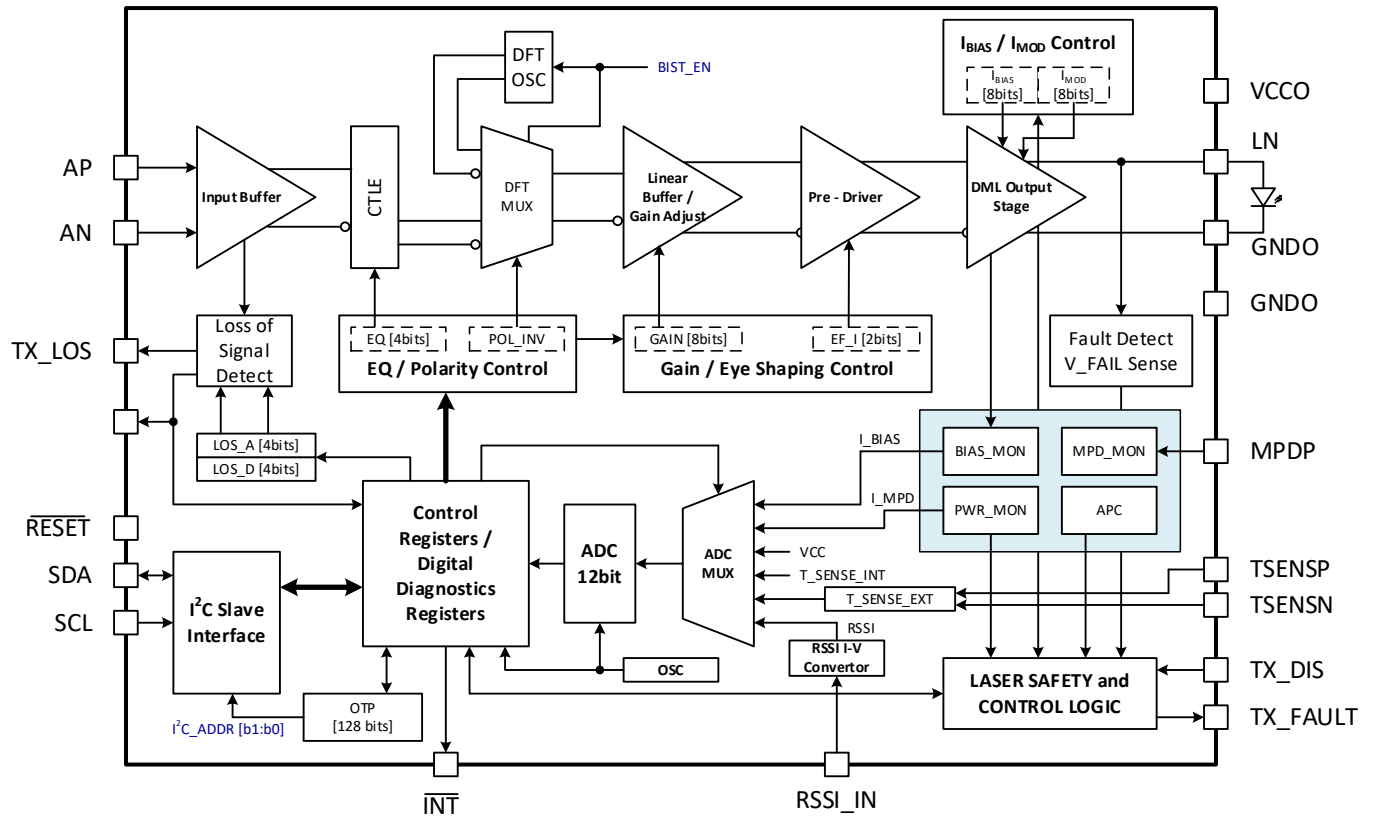


Figure 1: Functional Block Diagram of a single channel



Corporate Headquarters
 6024 Silver Creek Valley Road
 San Jose, CA 95138
www.IDT.com

Sales
 1-800-345-7015 or
 408-284-8200
 Fax: 408-284-2775
www.IDT.com/go/sales

Tech Support
www.IDT.com/go/support

DISCLAIMER Integrated Device Technology, Inc. (IDT) and its affiliated companies (herein referred to as "IDT") reserve the right to modify the products and/or specifications described herein at any time, without notice, at IDT's sole discretion. Performance specifications and operating parameters of the described products are determined in an independent state and are not guaranteed to perform the same way when installed in customer products. The information contained herein is provided without representation or warranty of any kind, whether express or implied, including, but not limited to, the suitability of IDT's products for any particular purpose, an implied warranty of merchantability, or non-infringement of the intellectual property rights of others. This document is presented only as a guide and does not convey any license under intellectual property rights of IDT or any third parties.

IDT's products are not intended for use in applications involving extreme environmental conditions or in life support systems or similar devices where the failure or malfunction of an IDT product can be reasonably expected to significantly affect the health or safety of users. Anyone using an IDT product in such a manner does so at their own risk, absent an express, written agreement by IDT.

Integrated Device Technology, IDT and the IDT logo are trademarks or registered trademarks of IDT and its subsidiaries in the United States and other countries. Other trademarks used herein are the property of IDT or their respective third party owners. For datasheet type definitions and a glossary of common terms, visit www.idt.com/go/glossary. All contents of this document are copyright of Integrated Device Technology, Inc. All rights reserved.