

## Description

The HXT6101 VCSEL driver is a key component for compact, robust and low-power optical transmitter modules. In conjunction with the VCSEL, the chip handles the complete digital-to-optical conversion, including CML input, laser driver, drive control, and supervision.

Standard silicon technology and a small number of additional components allow for cost-effective and compact assemblies.

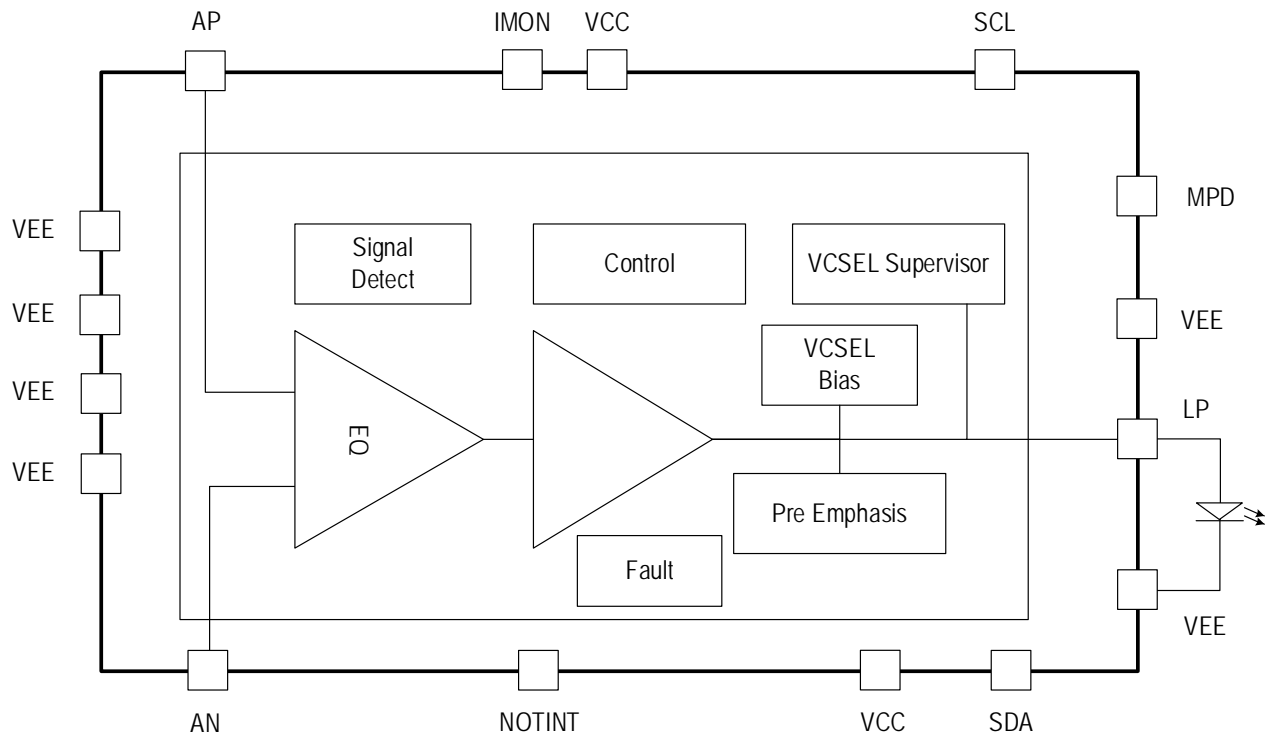
## Features

- Low power consumption of 46mW while delivering 5mA average and 5mA modulation current
- Two-wire interface control and symmetric pad design maximize module design flexibility
- 10mA average and 10mA modulation current maximum
- 15mA burn-in current maximum
- A/D read-out of temperature, effective VCSEL current, and monitor photo-current

## Typical Applications

- IEEE 802.3ae Ethernet Transceivers
- 16G Fibre Channel Modules
- InfiniBand QDR and FDR Active Cables
- Proprietary optical modules

## Block Diagram





Corporate Headquarters  
6024 Silver Creek Valley Road  
San Jose, CA 95138  
[www.IDT.com](http://www.IDT.com)

Sales  
1-800-345-7015 or 408-284-8200  
Fax: 408-284-2775  
[www.IDT.com/go/sales](http://www.IDT.com/go/sales)

Tech Support  
[www.IDT.com/go/support](http://www.IDT.com/go/support)

DISCLAIMER Integrated Device Technology, Inc. (IDT) and its affiliated companies (herein referred to as "IDT") reserve the right to modify the products and/or specifications described herein at any time, without notice, at IDT's sole discretion. Performance specifications and operating parameters of the described products are determined in an independent state and are not guaranteed to perform the same way when installed in customer products. The information contained herein is provided without representation or warranty of any kind, whether express or implied, including, but not limited to, the suitability of IDT's products for any particular purpose, an implied warranty of merchantability, or non-infringement of the intellectual property rights of others. This document is presented only as a guide and does not convey any license under intellectual property rights of IDT or any third parties.

IDT's products are not intended for use in applications involving extreme environmental conditions or in life support systems or similar devices where the failure or malfunction of an IDT product can be reasonably expected to significantly affect the health or safety of users. Anyone using an IDT product in such a manner does so at their own risk, absent an express, written agreement by IDT.

Integrated Device Technology, IDT and the IDT logo are trademarks or registered trademarks of IDT and its subsidiaries in the United States and other countries. Other trademarks used herein are the property of IDT or their respective third party owners. For datasheet type definitions and a glossary of common terms, visit [www.idt.com/go/glossary](http://www.idt.com/go/glossary). All contents of this document are copyright of Integrated Device Technology, Inc. All rights reserved.