

Brief Description

The ZSPM10x5 single-phase digital PWM controller family is optimally configured for use with the Murata Power Solutions 25A and 35A Power Blocks in smart digital power solutions.

The ZSPM10x5 controllers integrate a digital control loop, optimized for load-step transient response, steady-state performance, stability, and maximum flexibility. For improved system reliability, a rich set of protection and monitoring functions is provided.

The ZSPM10x5 family features a user-selectable, preconfigured digital control loop and compensators optimized for use with the Murata Power Solutions 25A power block OKLP-X/25-W12-C and 35A power block OKLP-X/35-W12-C.

Downloadable reference solutions are available, including IDT's Pink Power Designer™ GUI, layout guidelines, bill of materials, and step-by-step instructions.

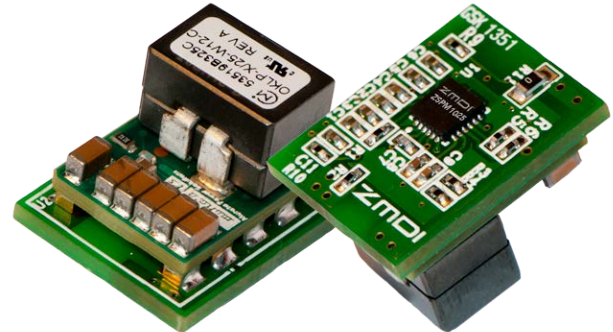
- **ZSPM10x5A** features PMBus™ programmable output voltage (0.35V-3.60V); four predefined output capacitance ranges; and configurable protection, sequencing, and monitoring.
- **ZSPM10x5C** features pin-strap selectable output voltage (0.62V-1.20V) and four predefined output capacitance ranges.
- **ZSPM10x5D** features pin-strap selectable output voltage (1.25V-3.40V) and four predefined output capacitance ranges.

Available Support

- Evaluation Kit
- Reference Solution
- PC-based Pink Power Designer™ GUI

Physical Characteristics

- Operation temperature: -40°C to +125°C
- V_{OUT} : 0.35V to 3.60V (ZSPM10x5A)
- V_{OUT} : 0.62V to 1.20V (ZSPM10x5C)
- V_{OUT} : 1.25V to 3.40V (ZSPM10x5D)
- Lead free (RoHS compliant) 24-pin QFN package (4mm x 4mm)

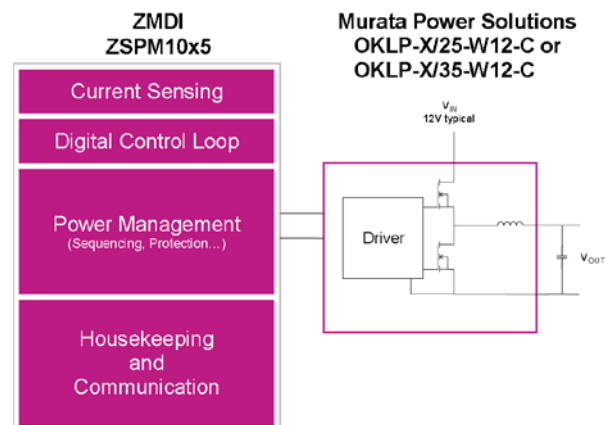


Features

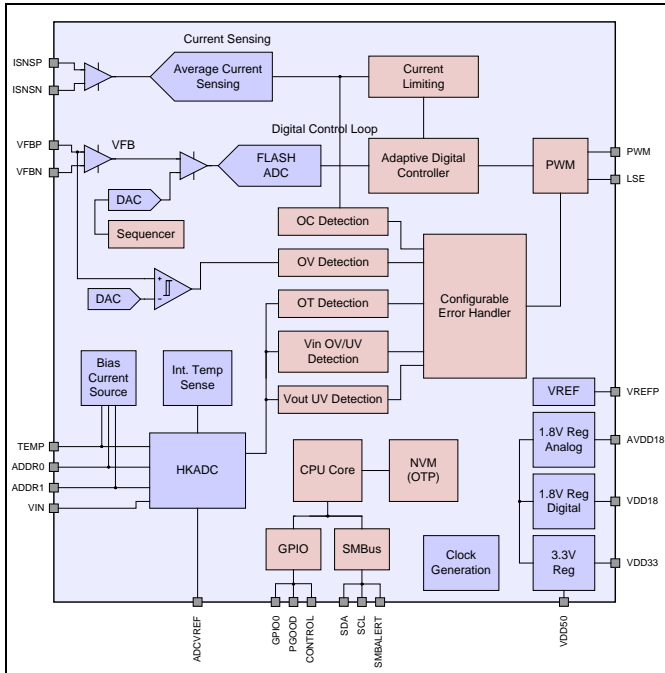
- Application-optimized digital control loop
- Advanced digital control techniques for maximum flexibility and excellent transient performance
- Extensive fault monitoring and handling
- Pre-configured for optimized use with Murata Power Solutions 25A and 35A Power Blocks
- PMBus™ or 2-pin configuration for loop compensation, output voltage, and slew rate
- Operation from a single 5V or 3.3V supply

Benefits

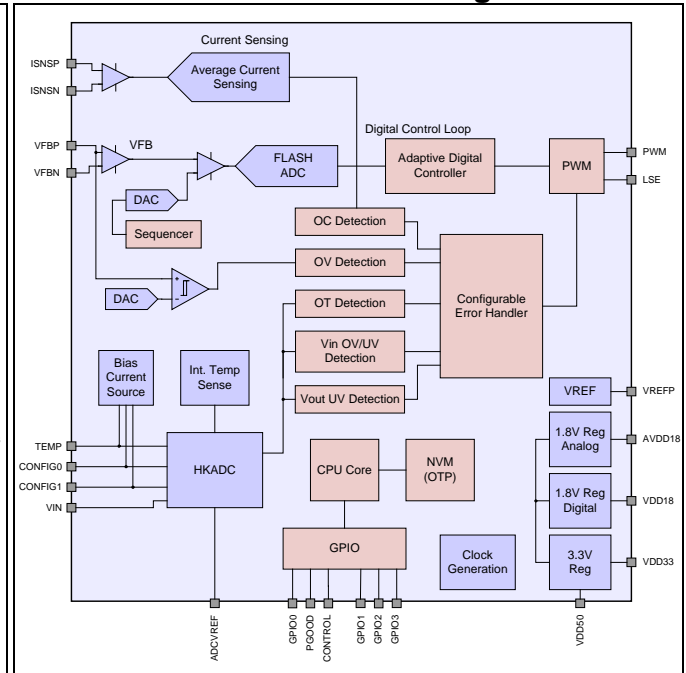
- Fast time-to-market using off-the-shelf, optimally configured controller and power block
- Fast configurability and design flexibility
- Simplified design flow and high reliability via proven system design solution
- Pin-to-pin compatibility across the product family enabling 25A and 35A point-of-load platform designs with or without digital communication



ZSPM10x5A Block Diagram



**ZSPM10x5C and
ZSPM10x5D Block Diagram**



Product Overview

IDT PWM Controller	Murata Power Block	Output Current (A)	Output Voltage		Output Capacitance ¹ (µF)	Predefined Compensation Loops ¹	Configurable	Digital Monitoring
			Level (V)	Slew Rate (V/ms)				
ZSPM1025A	OKLP-X/25	25	0.35-3.60	0.01-10	200-5700	4	PMBus™	Final application and development
ZSPM1025C	OKLP-X/25	25	0.62-1.20	0.10-10	200-5700	4	Pin Strap	Only during development
ZSPM1025D	OKLP-X/25	25	1.25-3.40	0.10-10	200-5700	4	Pin Strap	Only during development
ZSPM1035A	OKLP-X/35	35	0.35-3.60	0.01-10	200-5700	4	PMBus™	Final application and development
ZSPM1035C	OKLP-X/35	35	0.62-1.20	0.10-10	200-5700	4	Pin Strap	Only during development
ZSPM1035D	OKLP-X/35	35	1.25-3.40	0.10-10	200-5700	4	Pin Strap	Only during development

Note 1: See datasheet for more information.



Ordering Information

Note: Part numbers ZSPM1025AA1W 1 and ZSPM1035AA1W 1 are sold under a limited license from PowerOne, Inc. related to digital power technology as set forth in U.S. Patent 7000125 and other related patents owned by PowerOne, Inc. This license does not extend to stand-alone power supply products.

Sales Code	Description	Package
ZSPM1025AA1W 1	ZSPM1025A Digital PWM Controller for use with Murata 25A Power Block OKLP-X/25-W12-C	Reel
ZSPM1025CA1W 0	ZSPM1025C Digital PWM Controller for use with Murata 25A Power Block OKLP-X/25-W12-C	Reel
ZSPM1025DA1W 0	ZSPM1025D Digital PWM Controller for use with Murata 25A Power Block OKLP-X/25-W12-C	Reel
ZSPM1035AA1W 1	ZSPM1035A Digital PWM Controller for use with Murata 35A Power Block OKLP-X/35-W12-C	Reel
ZSPM1035CA1W 0	ZSPM1035C Digital PWM Controller for use with Murata 35A Power Block OKLP-X/35-W12-C	Reel
ZSPM1035DA1W 0	ZSPM1035D Digital PWM Controller for use with Murata 35A Power Block OKLP-X/35-W12-C	Reel
ZSPM8025-KIT	Evaluation Kit for ZSPM1025A with PMBus™ Communication Interface. Pink Power Designer™ GUI can be downloaded from the IDT web site at www.IDT.com/ZSPM8025KIT	Kit
ZSPM8725-KIT	Evaluation Kit for ZSPM1025C with PMBus™ Communication Interface. Pink Power Designer™ GUI can be downloaded from the IDT web site at www.IDT.com/ZSPM8725KIT	Kit
ZSPM8825-KIT	Evaluation Kit for ZSPM1025D with PMBus™ Communication Interface. Pink Power Designer™ GUI can be downloaded from the IDT web site at www.IDT.com/ZSPM8825KIT	Kit
ZSPM8035-KIT	Evaluation Kit for ZSPM1035A with PMBus™ Communication Interface. Pink Power Designer™ GUI can be downloaded from the IDT web site at www.IDT.com/ZSPM8035KIT	Kit
ZSPM8735-KIT	Evaluation Kit for ZSPM1035C with PMBus™ Communication Interface. Pink Power Designer™ GUI can be downloaded from the IDT web site at www.IDT.com/ZSPM8735KIT	Kit
ZSPM8835-KIT	Evaluation Kit for ZSPM1035D with PMBus™ Communication Interface. Pink Power Designer™ GUI can be downloaded from the IDT web site at www.IDT.com/ZSPM8835KIT	Kit



Corporate Headquarters
6024 Silver Creek Valley Road
San Jose, CA 95138
www.IDT.com

Sales
1-800-345-7015 or 408-284-8200
Fax: 408-284-2775
www.IDT.com/go/sales

Tech Support
www.IDT.com/go/support

DISCLAIMER Integrated Device Technology, Inc. (IDT) reserves the right to modify the products and/or specifications described herein at any time, without notice, at IDT's sole discretion. Performance specifications and operating parameters of the described products are determined in an independent state and are not guaranteed to perform the same way when installed in customer products. The information contained herein is provided without representation or warranty of any kind, whether express or implied, including, but not limited to, the suitability of IDT's products for any particular purpose, an implied warranty of merchantability, or non-infringement of the intellectual property rights of others. This document is presented only as a guide and does not convey any license under intellectual property rights of IDT or any third parties.

IDT's products are not intended for use in applications involving extreme environmental conditions or in life support systems or similar devices where the failure or malfunction of an IDT product can be reasonably expected to significantly affect the health or safety of users. Anyone using an IDT product in such a manner does so at their own risk, absent an express, written agreement by IDT.

Integrated Device Technology, IDT and the IDT logo are trademarks or registered trademarks of IDT and its subsidiaries in the United States and other countries. Other trademarks used herein are the property of IDT or their respective third party owners. For datasheet type definitions and a glossary of common terms, visit www.idt.com/go/glossary. All contents of this document are copyright of Integrated Device Technology, Inc. All rights reserved.